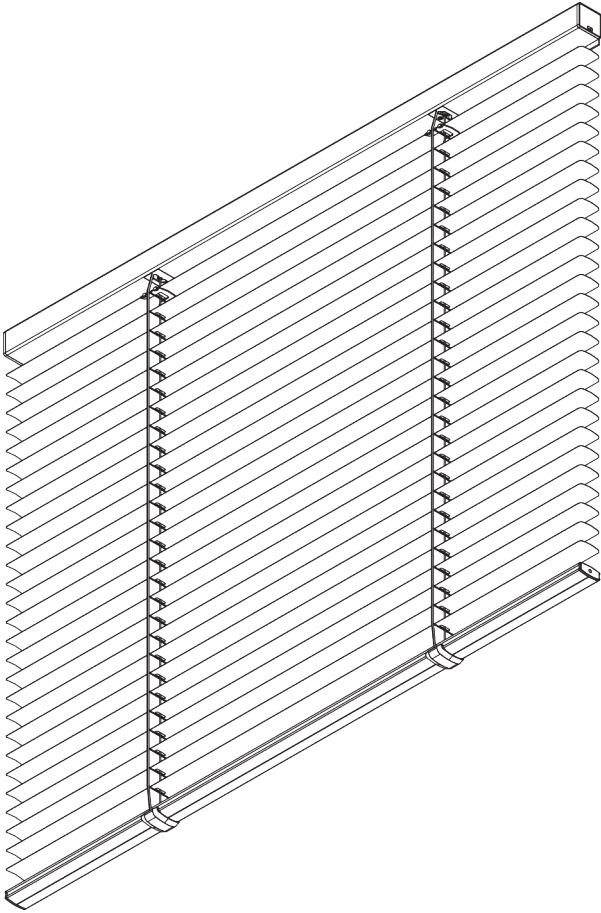
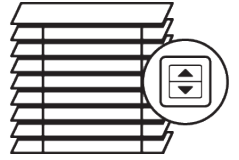


# SG 8250

---



## **PRODUCT INFORMATION**

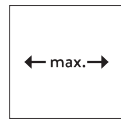
- **Operation:** motorised
- **Range:** S - M
- **Fitting:** ceiling, wall
- **Colours:** refer to Silent Gliss slat collection

### **Features:**

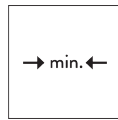
- Optimised light control
- Various control options
- Slat width: 25 mm (standard), 16 mm

# SYSTEM SPECIFICATIONS

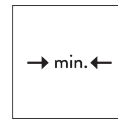
## A. SYSTEM DIMENSIONS



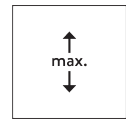
3 m



65 cm  
(up to a height of 2 m)



80 cm  
(up to a height of 3.4 m)



3.4 m



5 m<sup>2</sup>

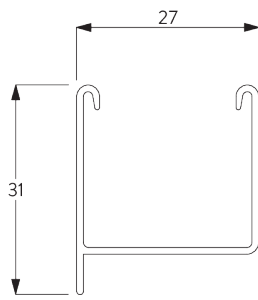
## Slat stack heights

			50	100	150	200	250	300
16 / 25 mm	X	6	8	10	12	14	15	17

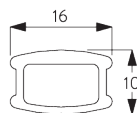
(cm)

## B. PROFILE

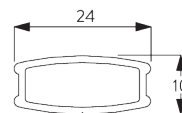
### Profile information



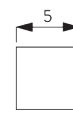
**SG 8102**  
Profile



**SG 8003**  
Bottom bar 16 mm

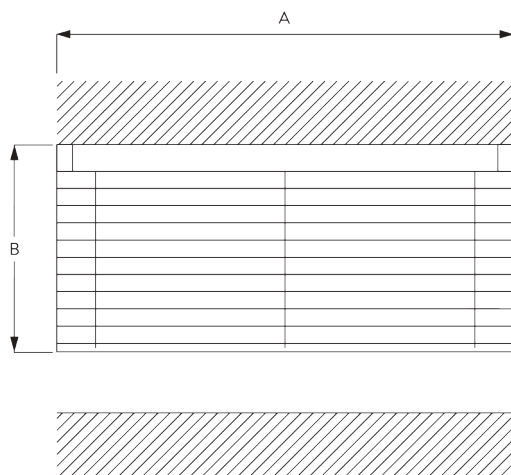


**SG 8004**  
Bottom bar 24 mm



**SG 8025**  
Shaft

## C. HOW TO MEASURE



A: System width  
B: System height

## D. SPECIFICATION TEXT

### EN

*Silent Gliss SG 8250 Electrically Operated Venetian Blind. Supplied made to measure and complete comprising aluminium headrail SG 8102 incorporating a flange to minimise light ingress at top of blind. Fixed to ceiling or wall with snap on brackets SG 8201 at 800-1000 mm intervals plus one at 60 mm from each end. Operation by integrated 24 V DC motor SG 8060 controlled by fixed switch / third party control system subject to suitable interface by others / radio control systems SG 9940. All wireless controls at extra cost. Slat colour to be chosen from Silent Gliss 16/25 mm range Price Group 1-3.*

### SV

*Silent Gliss SG 8250 Persiennsystem med motor. Levereras i kundens mått komplett med aluminiumkassett SG 8102 med list för att minimera ljusinsläpp i systemets ovkant. Montering i tak eller på vägg med SG 8201 med c/c 800-1000 mm samt fäste 60 mm från varje ände. Manövrering med inbyggd motor 24 V DC SG 8060 med väggbrytare eller externt styrsystem alternativt radio styrning SG 9940. Alla styrkomponenter är tillägg. Färg lameller väljs från Silent Gliss kollektion med 16 / 25 mm prisgrupp 1-3.*

### NO

*Silent Gliss SG 8910 Persiennsystem med motor. Lameller med 50 mm dybde. Leveres på ønsket mål. Komplet med aluminiumkassett. SG 8102 med list for minimalt lysinnslipp i overkant av systemet. Monteres i tak eller på vegg med SG 8201 med c/c 800-100 mm og feste 60 mm fra hver ende. Styres med integrert motor 24V DC SG 8060 med veggbryter eller eksternt system eller radiostyring SG 9940. Alle styringskomponenter kommer i tillegg. Farge på lamellene velges fra Silent Gliss kolleksjon med 16/25 mm lameller, prisgruppe 1-3.*

### DA

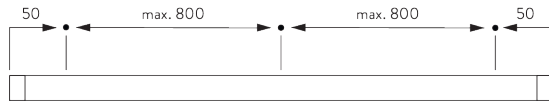
*Silent Gliss SG 8250 elektrisk persienne. Leveres i ønsket længde og komplet, bestående af aluminiumkassette SG 8102 med en flange, der mindsker indtrængende lys i toppen af persiennen. Fastgøres til loft eller væg med beslag SG 8201 i afstande på 800-1000 mm plus en på 60 mm fra hver ende. Styling med integreret 24 V DC motor SG 8060 styret med fast kontakt / tredjeparts styresystem, forudsat at der er en egnet grænseflade fra andre / radiostyringssystemer SG 9940. Al trådløs styring mod ekstra betaling. Lamelfarven vælges fra Silent Gliss 16/25 mm-programmet, prisgruppe 1-3.*

# FITTING

## A. FITTING INFORMATION

For detailed fitting information, visit the Silent Gliss website.

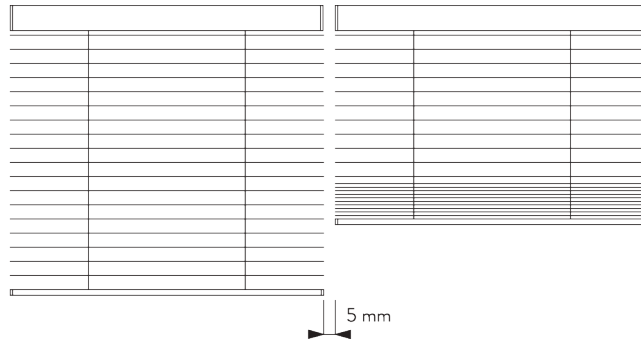
### Fixing points



Note:

Never position the brackets SG 8201 on the take up reels.

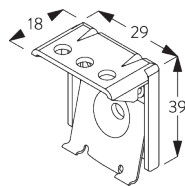
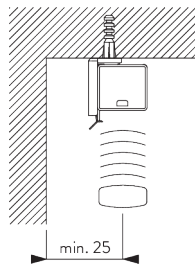
### Side-by-side fitting



Min. distance: 5 mm

## B. CEILING FITTING

### Bracket SG 8201

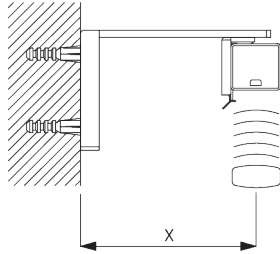


**SG 8201**

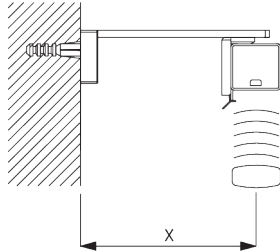
Bracket

## C. WALL FITTING

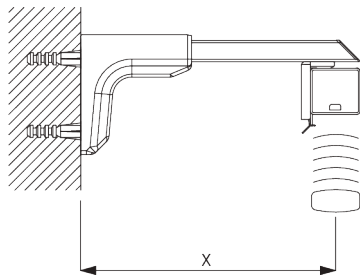
### Smart Fix



**Smart Fix SG 11200 - SG 11203 and bracket SG 8201:**  
Screw SG 10395 (M4x6) needed.

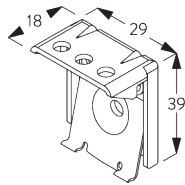


**Square Smart Fix SG 11210 - SG 11213 and bracket SG 8201:**  
Screw SG 10395 (M4x6) needed.



**Universal Smart Fix SG 11154 - SG 11156 and bracket SG 8201:**  
Screw SG 10407 (M4x10) needed.

Smart Fix	X mm
SG 11200 / SG 11210	57
SG 11201 / SG 11211	77
SG 11202 / SG 11212	97
SG 11203 / SG 11213	117
SG 11154	107-135
SG 11155	137-165
SG 11156	187-215



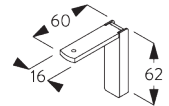
**SG 8201**  
Bracket



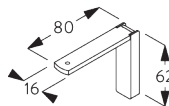
**SG 10395**  
Pan head screw M4x6



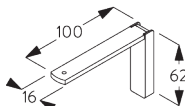
**SG 10407**  
Pan head screw M4x10



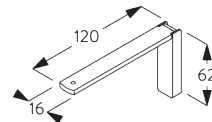
**SG 11200**  
Smart Fix 60 mm



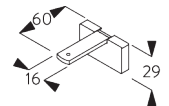
**SG 11201**  
Smart Fix 80 mm



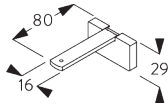
**SG 11202**  
Smart Fix 100 mm



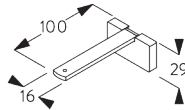
**SG 11203**  
Smart Fix 120 mm



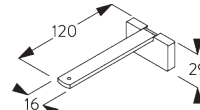
**SG 11210**  
Square Smart Fix 60 mm



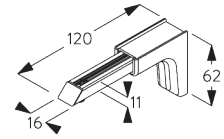
**SG 11211**  
Square Smart Fix 80 mm



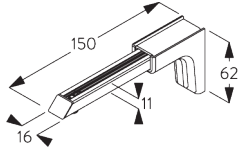
**SG 11212**  
Square Smart Fix 100 mm



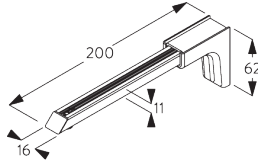
**SG 11213**  
Square Smart Fix 120 mm



**SG 11154**  
Universal Smart Fix 120 mm

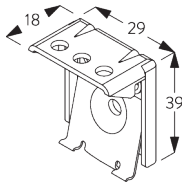
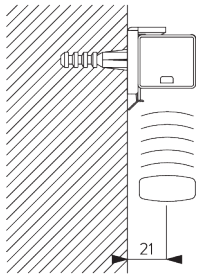


**SG 11155**  
Universal Smart Fix 150 mm



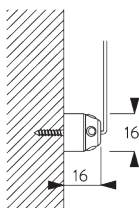
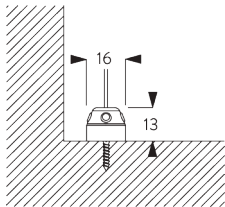
**SG 11156**  
Universal Smart Fix 200 mm

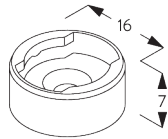
## Bracket SG 8201



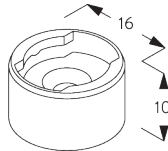
**SG 8201**  
Bracket

## D. FITTING WITH SIDE GUIDE OPTION

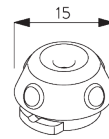




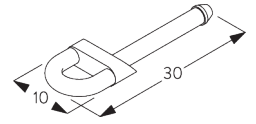
**SG 8235**  
Side guide wire base short



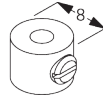
**SG 8236**  
Side guide wire base long



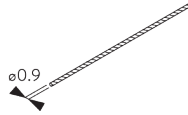
**SG 8237**  
Side guide wire holder



**SG 8241**  
Side guide eyelet



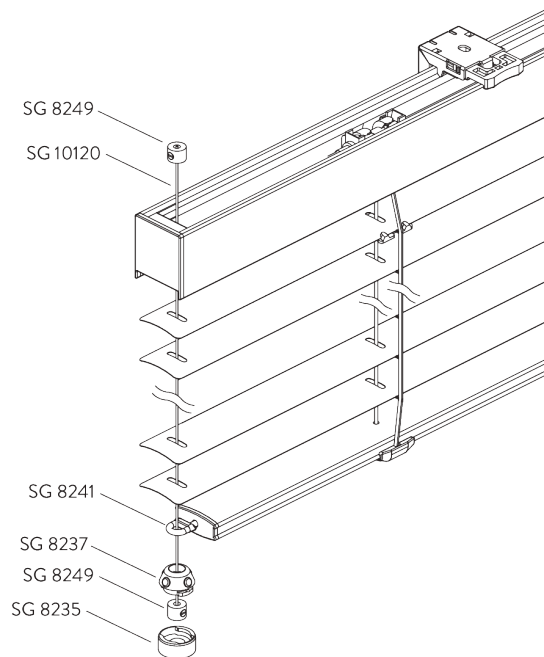
**SG 8249**  
Side guide device



**SG 10120**  
Side guide wire  $\varnothing$  0.9 mm

# SYSTEM OPTIONS

## A. SIDE GUIDES



### Additional parts:

- 2x SG 8235 Side guide wire base short
- 2x SG 8237 Side guide wire holder
- 2x SG 8241 Side guide eyelet
- 4x SG 8249 Side guide device
- 2x SG 10120 Side guide wire  $\varnothing$  0.9 mm

### Note:

- Up to 15° from vertical

# MOTOR & CONTROLS

## A. MOTOR FEATURES

Motors	SG 8605
<b>Motor Features</b>	
Mechanical end-stop	●
Mechanical revolution counter (limited revolution)	●
IP class	IP 44
<b>Control Features</b>	
Mains power control	●
SG Control L (external receiver required)	●
Suitable for most major home automation systems (with suitable interface)	●

## B. MOTOR SPECIFICATIONS

Motor	Voltage	Current	Speed
SG 8060	24 V DC	0.65 A	30 rpm

## C. OPERATING METHODS

See catalogue "controls" for details.

### Wall Switch



System can be operated by fixed wall switch.

### SG Control L



Various radio hand-held and wall transmitters available. An external receiver is required.



Silent Gliss Move App.

## D. WIRING DIAGRAMS




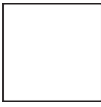


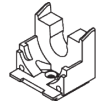
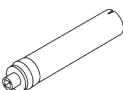
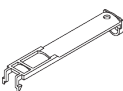
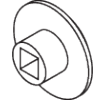
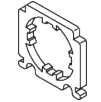

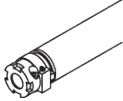
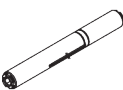


Refer to Silent Gliss website.

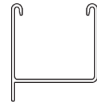
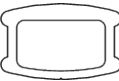
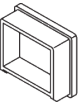
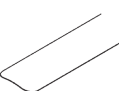


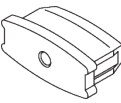
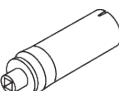
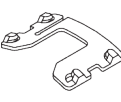
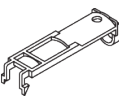
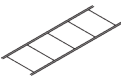



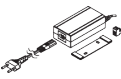
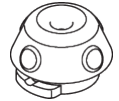
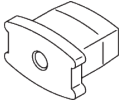
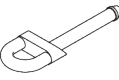
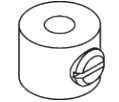
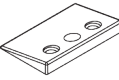
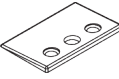
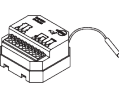


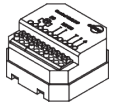
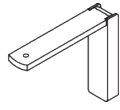
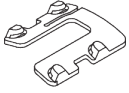
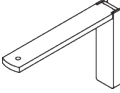
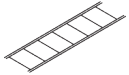
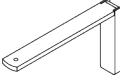
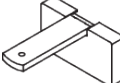
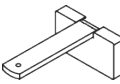
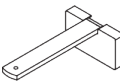
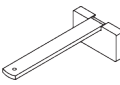
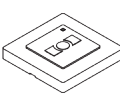
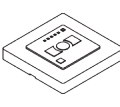
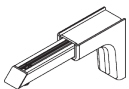
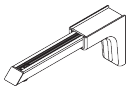
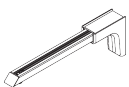
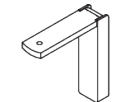
# PARTS

## A. STANDARD PARTS

	<b>SG 8004</b> Bottom bar 24 mm
	<b>SG 8007</b> Slat 25 mm
	<b>SG 8013</b> Bottom clip 25 mm
	<b>SG 8025</b> Shaft
	<b>SG 8038</b> Shaft adaptor long
	<b>SG 8039</b> Stop ring
	<b>SG 8041</b> Bearing
	<b>SG 8042</b> Cone long
	<b>SG 8044</b> Cover long
	<b>SG 8046</b> Ring
	<b>SG 8047</b> Profile adaptor
	<b>SG 8048</b> Shaft adaptor short
	<b>SG 8049</b> End stop AMS 25
	<b>SG 8060</b> Motor 24V DC, 0,8/40

## B. OPTIONAL PARTS

	<b>SG 8102</b> Profile		<b>SG 8003</b> Bottom bar 16 mm
	<b>SG 8106</b> End cover 25 mm		<b>SG 8006</b> Slat 16 mm
	<b>SG 8201</b> Bracket		<b>SG 8012</b> Bottom clip 16 mm
	<b>SG 8239</b> End cover 25 mm		<b>SG 8043</b> Cone short
	<b>SG 10104</b> Slat clip 25 mm		<b>SG 8045</b> Cover short
	<b>SG 10117</b> Ladder cord 25 mm		<b>SG 8235</b> Side guide wire base short
	<b>SG 10119</b> Lift cord ø 1.4 mm		<b>SG 8236</b> Side guide wire base long
	<b>SG 11426</b> Power supply 24V / 2A including cable with EU/CH plug		<b>SG 8237</b> Side guide wire holder
			<b>SG 8238</b> End cover 16 mm
			<b>SG 8241</b> Side guide eyelet
			<b>SG 8249</b> Side guide device
			<b>SG 8262</b> Spacer 10°
			<b>SG 8263</b> Spacer 4°
			<b>SG 9068</b> Radio receiver Revio

**SG 9947***Control unit DC 24V***SG 11201***Smart Fix 80 mm***SG 10109***Slot clip 16 mm***SG 11202***Smart Fix 100 mm***SG 10116***Ladder cord 16 mm***SG 11203***Smart Fix 120 mm***SG 10120***Side guide wire ø 0.9 mm***SG 11210***Square Smart Fix 60 mm***SG 10300***Radio hand held 1 channel***SG 11211***Square Smart Fix 80 mm***SG 10302***Radio hand held 5+1 channel***SG 11212***Square Smart Fix 100 mm***SG 10303***Radio hand held 10+2+1 channel***SG 11213***Square Smart Fix 120 mm***SG 10395***Pan head screw M4x6***SG 11480***Radio wall transmitter 1 channel***SG 10407***Pan head screw M4x10***SG 11490***Radio wall transmitter 5+1 channel***SG 10804***Radio hand held 15+5+1 channel***SG 11154***Universal Smart Fix 120 mm***SG 11155***Universal Smart Fix 150 mm***SG 11156***Universal Smart Fix 200 mm***SG 11200***Smart Fix 60 mm*



