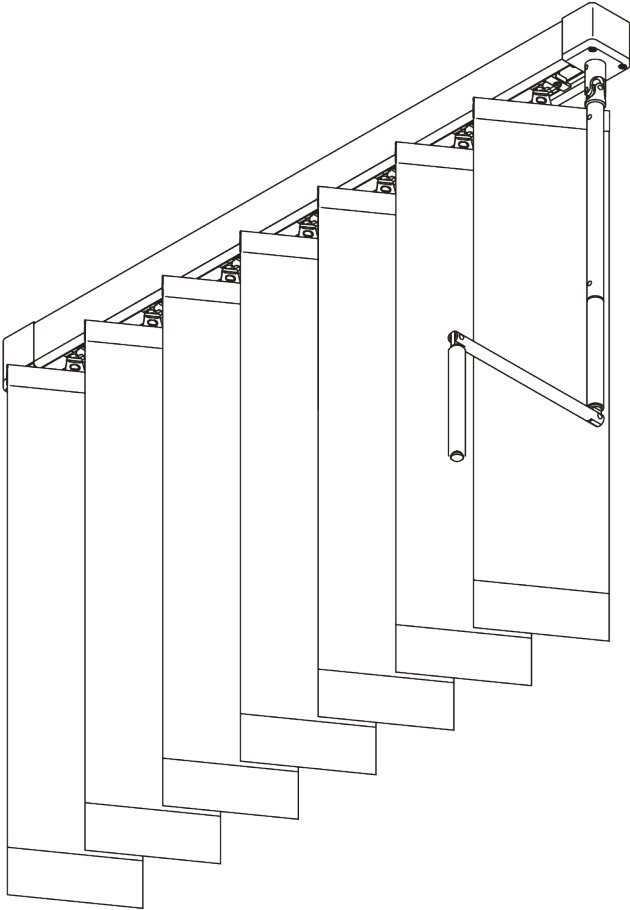


# SG 2900

---



## PRODUCT INFORMATION

- **Operation:** Crank
- **Range:** S - L
- **Fitting:** ceiling, wall, recess
- **Colours:** white RAL 9016 or anodised aluminum, special colours possible
- **Fabrics:** refer to Silent Gliss fabric collection

### **Features:**

- Optimised light control
- Mono controlled
- Sloping applications
- Louvre width: 127 mm (standard), 89 mm
- Vertical Waves
- Bendable

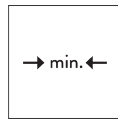
08/2024/V1

# SYSTEM SPECIFICATIONS

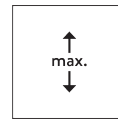
## A. SYSTEM DIMENSIONS



6 m



Single Stack: 50 cm  
Pair stack: 1.1 m



4 m



600 g per louvre

## Max. system widths

	127 mm 89 mm	6 m 6 m
	127 mm 89 mm	6 m 6 m
	127 mm 89 mm	6 m 5 m
	127 mm 89 mm	5 m 5 m
	127 mm 89 mm	6 m 5 m

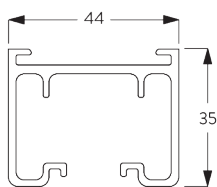
## Stack sizes

		100	150	200	250	300	350	400	450	500	550	600	
127 mm		27	35	42	50	57	65	72	80	87	95	101	
		21	25	28	32	36	39	43	47	50	54	58	
89 mm		29	40	50	60	69	80	89	100	110	120	129	
		20	25	30	35	39	45	50	56	60	65	69	

(cm)

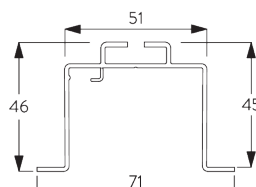
## B. PROFILE

### Profile and bending information



**SG 2901**

Profile

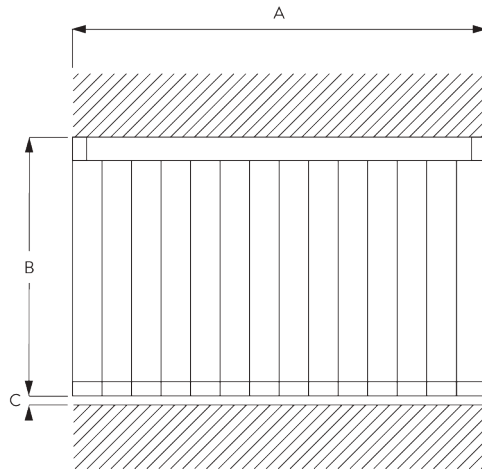


**SG 2948**

Recess profile

Radius:  
>50 cm

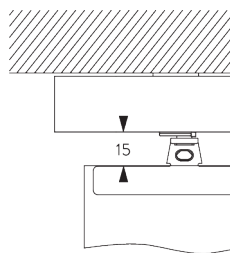
## C. HOW TO MEASURE



A: System width  
B: System height  
C: Distance between floor and fabric

Crank height approx. 110 cm from the floor (crank extended)!

## Light gap



## D. SPECIFICATION TEXT

### EN

Silent Gliss SG 2900 Crank Operated Vertical Blind System. Comprises aluminium profile SG 2901 supplied made to measure powder coated white or silver anodised. Assembled complete with detachable crank handle SG 2746 and rotation elements to suit louvre width 127 mm SG 2916 / 89 mm SG 2918. Top fixed with clamp SG 3033 at max 300 mm centres + 1. Wall fixed with clamp SG 3033 in conjunction with SG Universal Smart Fix brackets at 300 mm centres + 1. Recess fixed option with recess profile SG 2932 and wedges SG 2941. Fabric supplied from Silent Gliss fabric range.

### SV

Silent Gliss SG 2900 vevmanövrerat lamellsystem. Innefattar aluminium profil SG 2901 i kundmått, pulverlackerad i vitt eller i alu finish. Monterad komplett med avtagbart vevfäste SG 2746 och pivåer för bredd 127mm SG 2916 / 89mm SG 2918. Takmontering med fäste SG 3033 c/c 300mm + 1. Vägmonterad med SG 3033 i kombination med SG Universal Smart Fix vinklar c/c 300mm centres + 1. Infällning med profil SG 2932 och kilar SG 2941. Textil från Silent Gliss textilprogram prisgrupp 1-4.

### NO

Silent Gliss SG 2900 Lamellsystem med sveiv. Leveres på ønsket mål. Består av aluminiumprofil SG 2901, pulverlakkert i hvit eller i alu finish. Montert komplett med avtagbar sveiv SG 2746 og dreielement for bredde 127 mm SG 2916 / 89 mm SG 2918. Takmontering med feste SG 3033 c/c 300 mm + 1. Veggmontert med SG 3033 i kombinasjon med SG universals Smart Fix vinkler c/c 300 mm centres + 1. Innfelling med profil SG 2932 og kiler SG 2940. Tekstil fra Silent Gliss tekstilkolleksjon prisgruppe 1-4.

### DA

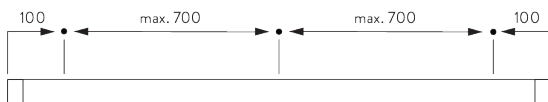
Silent Gliss SG 2900 lodret rullegardinsystem med håndsving. Består af aluminiumprofil SG 2901 i ønsket længde, i hvid pulverlakering eller sølv-anodiseret. Samlet komplet med aftageligt håndtag til håndsving SG 2746 og rotationselementer passende til lamelbredde 127 mm SG 2916 / 89 mm SG 2918. Fastgøres i loftet med klemme SG 3033 med afstand på højst 300 mm + 1. Vægmonteres med klemme SG 3033 i forbindelse med SG Universal Smart Fix beslag i afstande på 300 mm + 1. Indfældning fast tilbehør med indfældningsprofil SG 2932 og kiler SG 2941. Stoffet leveres fra Silent Gliss stofprogrammet.

# FITTING

## A. FITTING INFORMATION

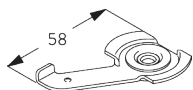
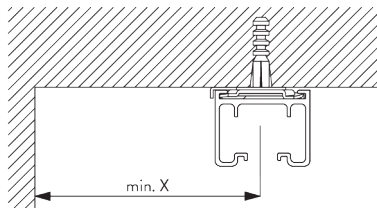
For detailed fitting information, visit the Silent Gliss website.

### Fixing points

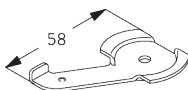


## B. CEILING FITTING

### Clamp SG 3033 / SG 3044



**SG 3033**  
Clamp

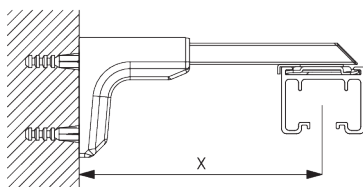


**SG 3044**  
Clamp

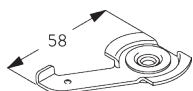
Min. wall distance louveres	X mm
89 mm	65
127 mm	85
Vertical Waves 89 mm	115
Vertical Waves 125 mm	140

## C. WALL FITTING

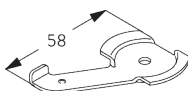
### Smart Fix



**Universal Smart Fix SG 11154 - SG 11156 and clamp SG 3033 / SG 3044**  
Screw SG 11158 (M4x12) needed.



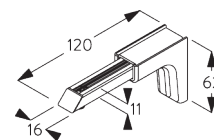
**SG 3033**  
Clamp



**SG 3044**  
Clamp



**SG 11158**  
Countersunk head screw  
M4x12

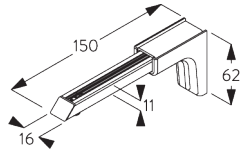


**SG 11154**  
Universal Smart Fix 120 mm

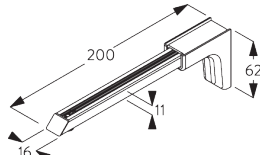
Smart Fix	X mm
SG 11154	102-130
SG 11155	132-160
SG 11156	182-210

Min. wall distance louveres	X mm
Vertical Waves 89 mm	115
Vertical Waves 125 mm	140



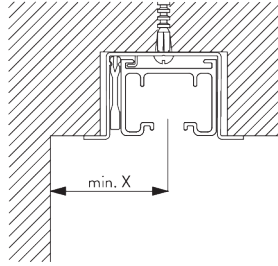
**SG 11155**  
Universal Smart Fix 150 mm



**SG 11156**  
Universal Smart Fix 200 mm

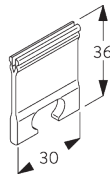
## D. RECESS FITTING

### Recess profile SG 2932

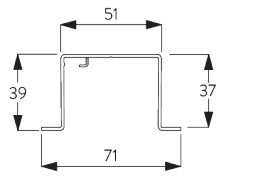


Recess profile SG 2932 can not be bent!  
One wedge SG 2941 per fixing point.  
For detailed recess fitting, visit the Silent Gliss website.

Min. wall distance louvres	X mm
89 mm	65
127 mm	85
Vertical Waves 89 mm	115
Vertical Waves 125 mm	140



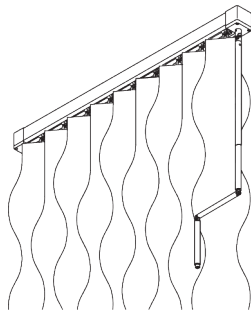
**SG 2941**  
Wedge

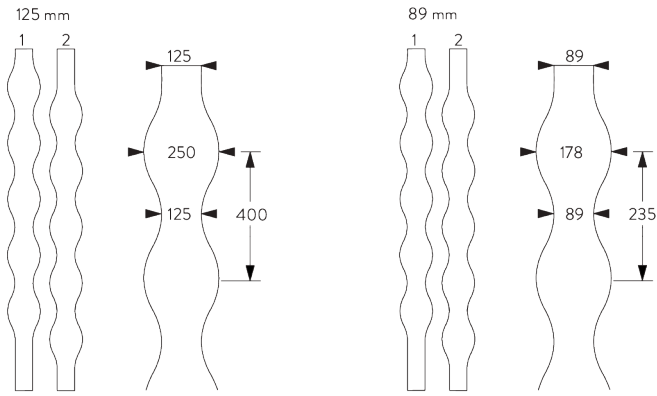


**SG 2932**  
Recess profile

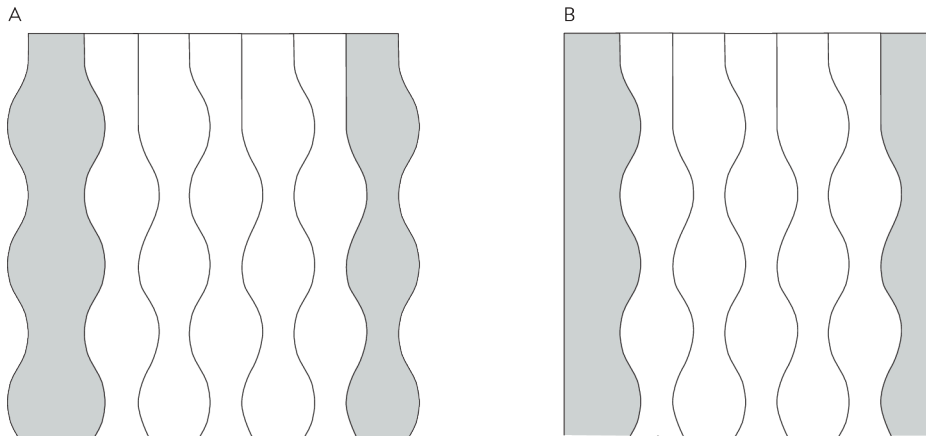
# SYSTEM OPTIONS

## A. VERTICAL WAVES





3D Vertical Waves only applicable with 125 mm louvres.

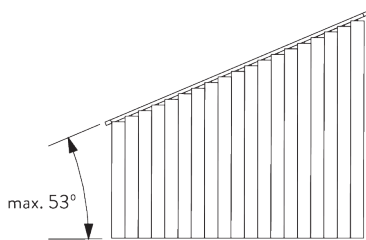


Wall ending

A: Wavy edge

B: Straight edge

## B. SLOPING WINDOWS

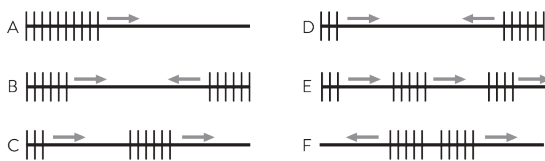


Maximum slope depends on louvre widths:

- 45° with 127 mm louvres
- 53° with 89 mm louvres

Not suitable with system option Vertical Waves.

## C. STACKING VARIATIONS



A: Single stack in one direction

B: Pair stack in two directions symmetrical

C: Pair stack in one direction asymmetrical

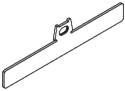

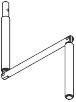
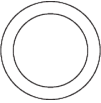

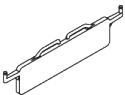
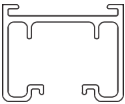




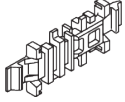
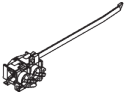

D: Pair stack in two directions asymmetrical

E: Multiple stacking in one direction symmetrical or asymmetrical

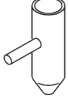
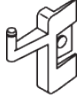
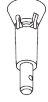
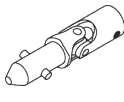



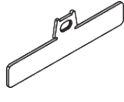
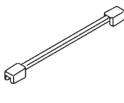
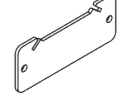

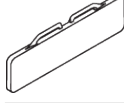


F: Centre stack

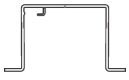
# PARTS

## A. STANDARD PARTS

	<b>SG 2605</b> Top clip 127 mm
	<b>SG 2742</b> Crank joint
	<b>SG 2756</b> Crank handle
	<b>SG 2759</b> Profile
	<b>SG 2888</b> Bottom link 127 mm
	<b>SG 2892</b> Bottom weight 127 mm / 5"
	<b>SG 2901</b> Profile
	<b>SG 2912</b> Toothed chain
	<b>SG 2916</b> Rotation element set 127 mm
	<b>SG 2917</b> Rotation element set 100 mm
	<b>SG 2920</b> Crank drive set
	<b>SG 2925</b> Chain connector
	<b>SG 2927</b> Pilot runner
	<b>SG 2949</b> End stop

## B. OPTIONAL PARTS

	<b>SG 2182</b> Sleeve
	<b>SG 2735</b> Holder
	<b>SG 2754</b> Detachable crank hood
	<b>SG 2755</b> Crank joint
	<b>SG 2775</b> Sloping window distance part
	<b>SG 2776</b> Sloping window distance part
	<b>SG 2793</b> Sloping window distance part
	<b>SG 2813</b> Top clip 89 mm
	<b>SG 2881</b> Spring
	<b>SG 2884</b> Bottom weight 89 mm
	<b>SG 2889</b> Bottom link 89 mm
	<b>SG 2890</b> Bottom weight 127 mm
	<b>SG 2918</b> Rotation element set 89 mm
	<b>SG 2919</b> Rotation element set 80 mm



**SG 2932**

Recess profile



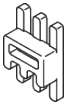
**SG 2937**

Safety device



**SG 2941**

Wedge



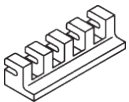
**SG 2944**

Limit stop



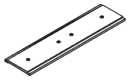
**SG 2945**

Limit stop



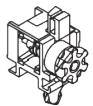
**SG 2946**

Limit stop



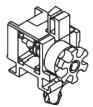
**SG 2962**

Connection bridge



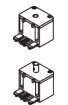
**SG 2971**

Rotation element sloping window



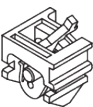
**SG 2975**

Pilot runner sloping window



**SG 2976**

Drive set sloping window



**SG 2979**

Brake sloping window



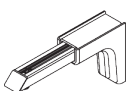
**SG 2989**

Connector



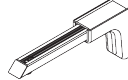
**SG 3044**

Clamp



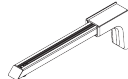
**SG 11154**

Universal Smart Fix 120 mm



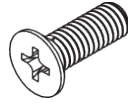
**SG 11155**

Universal Smart Fix 150 mm



**SG 11156**

Universal Smart Fix 200 mm



**SG 11158**

Countersunk head screw M4x12