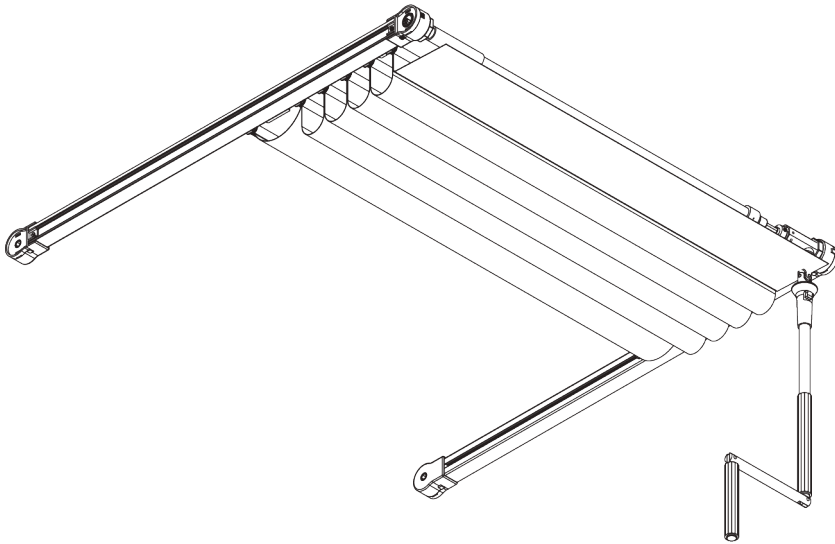
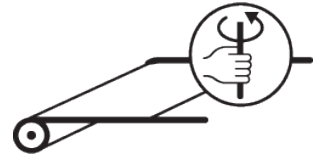


SG 2190



PRODUCT INFORMATION

- **Operation:** crank
- **Range:** S - M
- **Fitting:** ceiling, wall
- **Colours:** white RAL 9016 or anodised aluminum, special colours possible
- **Fabrics:** refer to Silent Gliss fabric collection

Features:

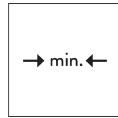
- Bendable
- Sloping
- Cantilever
- Special shapes
- Two connected systems

SYSTEM SPECIFICATIONS

A. SYSTEM DIMENSIONS



Type A: 2.5 m
Type B: 2.5 m
Type C: 4.1 m



60 cm



6 m



15 kg



Type A: 15 m²
Type B: 15 m²
Type C: 18 m²

Max. system sizes and weights - straight systems

Type B/C (profile SG 2231)

SG 2190		A	B	kg _{max.}	m ² _{max.}
		1.8 m	5 m	15	9
		1.8 m	5 m	15	9
		2 m	5 m	15	10
		2 m	5 m	15	10
		2.5 m	6 m	15	15
		3 m	6 m	15	18

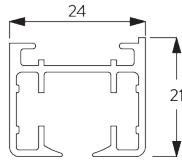
Bent systems

Type B/C (profile SG 2231)

SG 2190		A	B	kg _{max.}	m ² _{max.}
		2 m	5 m	15	10
		2 m	5 m	15	10
		2 m	5 m	15	10
		2 m	4 m	15	8
		2 m	4 m	15	8
		2 m	4 m	15	8

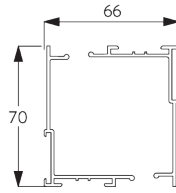
B. PROFILE

Profile and bending information



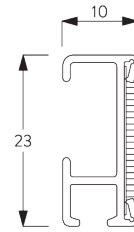
SG 2191

Profile



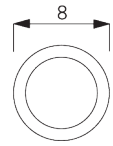
SG 2151

Profile



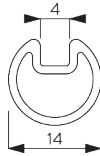
SG 2116

Velcro profile



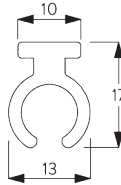
SG 2144

Profile ø 8 mm



SG 2156

Shaft



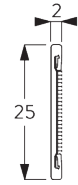
SG 2231

Profile



SG 2246

Rod PVC ø 5 mm



SG 2510

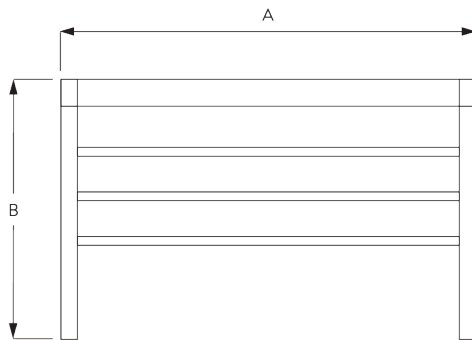
Velcro profile



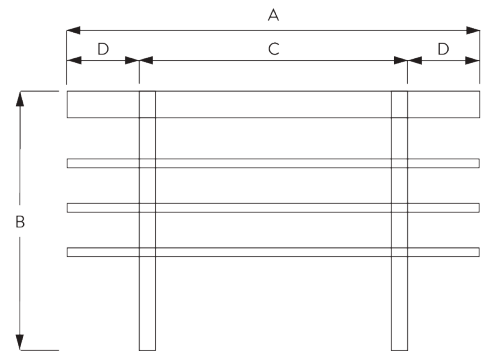
SG 2759

Profile

C. HOW TO MEASURE



A: System width
B: System height



A: System width
B: System height
C: Base system
D: Cantilever max. 80 cm

D. SPECIFICATION

TEXT

EN

Silent Gliss SG 2190 Crank Handle Operated Skylight System. Supplied made to measure and complete comprising cassette SG 2151, detachable crank handle SG 2746, Glider 2145, Cross rods SG 2759. Aluminium side guide profiles SG 2191 in silver / white / bronze / black side fixed with SG 3825 clamps at 30cm centres. Can be single or double system. Left- or right-hand operation. Relevant fabric to be chosen from the Silent Gliss fabric range, Price Group 1-4.

SV

Silent Gliss takfönstersystem SG 2190 med vevmanövrering. Levereras komplett i specificerat mått innefattande kassett SG 2151, avtagbar vev SG 2746, glid SG 2145, tvärstag SG 2759. Sidoprofiler SG 2191 av aluminium i vitt eller alu natur monterade med vridfästen SG 3825 evt. i kombination med vinkel SG 3036. 30 cm c/c. Enkelt eller dubbelt system kan manövreras med 1 Vev som monteras i vänster eller höger sida. Textil från Silent Gliss textilprogram i prisgrupp 1-4 godkänd för användning med systemet.

NO

Silent Gliss SG 2190. Takvindu system for manuell betjening med sveiv. Leveres komplett på spesifisert mål. Består av kassett SG 2151 med avtakbar sveiv SG 2746, tverrstag SG 2759. Sideprofil SG 2191 av aluminium i hvit eller alu natur, monteres med vri-fester SG 3825 evt. i kombinasjon med vinkel SG 3036. 30 cm c/c. Enkel eller dobbelt system kan manøvreres med 1 sveiv som monteres på venstre eller høyre side. Tekstiler fra Silent Gliss tekstilprogram i prisgruppe 1-4.

DA

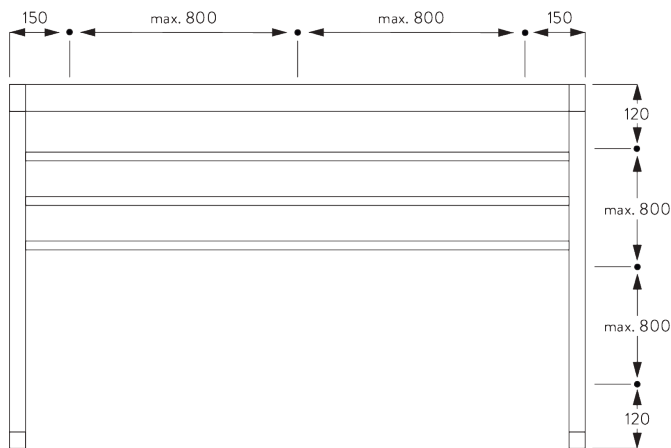
Silent Gliss SG 2190 tagvinduesystem med håndsving. Leveres i ønsket længde og komplet, bestående af kassette SG 2151, aftageligt håndtag til håndsving, SG 2746, glider 2145, tværstænger SG 2759. Sideprofiler af aluminium SG 2191 i sølv / hvidt / bronze / sort side fastgjort med klemmer SG 3825 med 30 cm afstand. Kan være et enkelt eller dobbelt system. Betjenes med venstre eller højre hånd. Relevant stof vælges fra Silent Gliss stofprogrammet, prisgruppe 1-4.

FITTING

A. FITTING INFORMATION

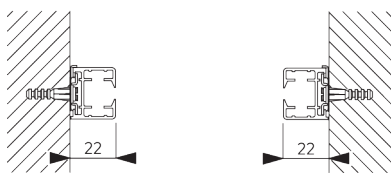
Fixing points

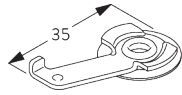
For detailed fitting information, visit the [Silent Gliss website](#).



B. INSIDE FITTING

Clamp SG 3825



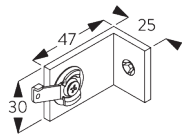
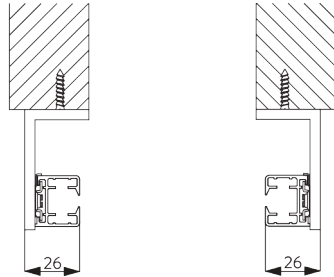


SG 3825

Clamp

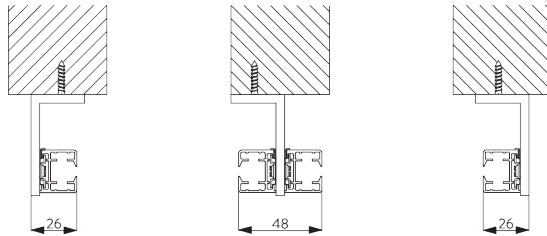
C. FACE FITTING

**Bracket SG 3181 /
SG 3182**

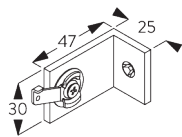


SG 3181

Bracket 1 clamp

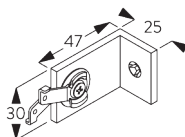


Double system



SG 3181

Bracket 1 clamp

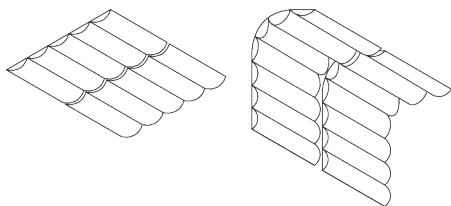


SG 3182

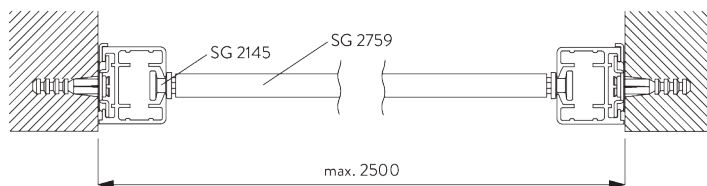
Bracket 2 clamps

SYSTEM OPTIONS

A. TWO CONNECTED SYSTEMS

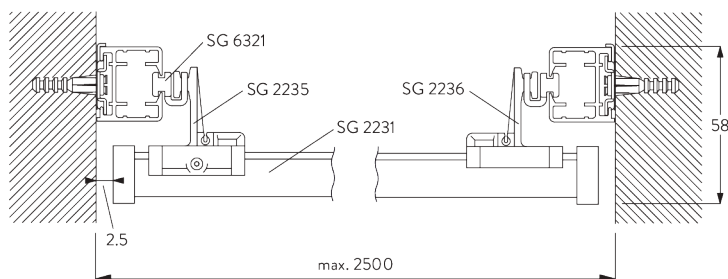


B. INSTALLATION OPTIONS



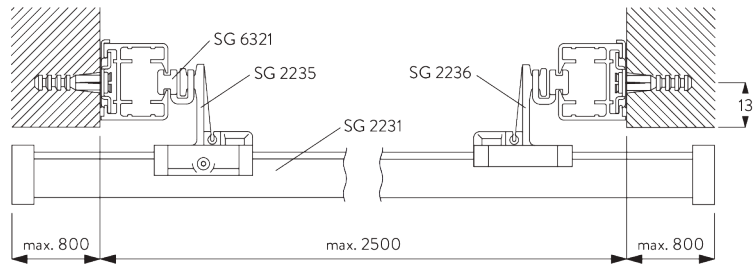
Type A

- SG 2145: Glider
- SG 2759: Profile



Type B (Profiles covered)

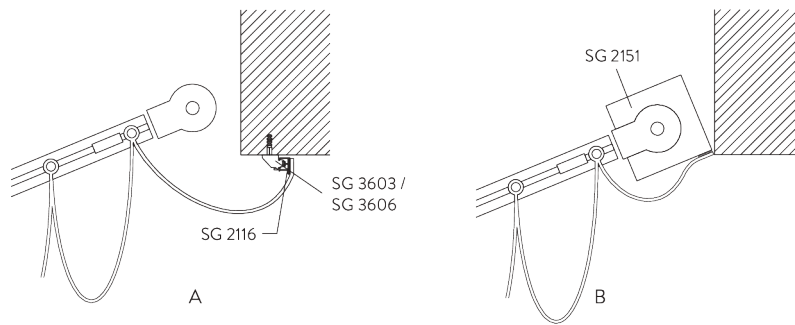
- SG 2231: Profile
- SG 2235: Glider with screw
- SG 2236: Glider without screw
- SG 6321: Glider



Type C (Cantilever version to cover side profiles)

- SG 2231: Profile
- SG 2235: Glider with screw
- SG 2236: Glider without screw
- SG 6321: Glider

C. FABRIC FIXING

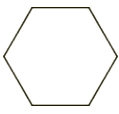
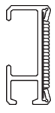
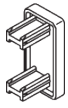
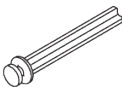

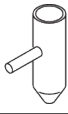
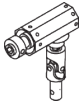
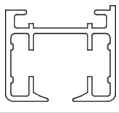
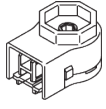
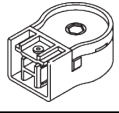
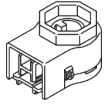
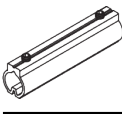
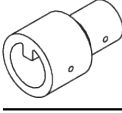
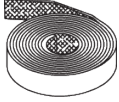


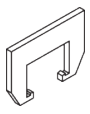
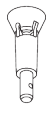
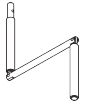
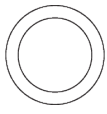
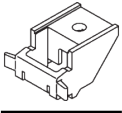
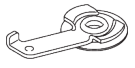
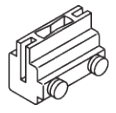
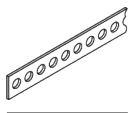
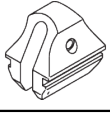
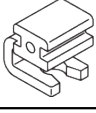
A: Fixing of fabric with profile SG 2116 (standard)

B: Fixing of fabric directly on headrail cassette

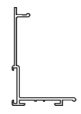
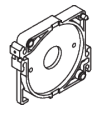
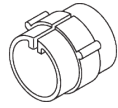

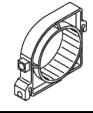

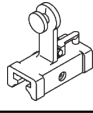
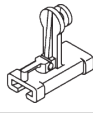
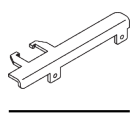
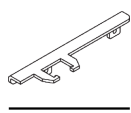
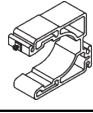
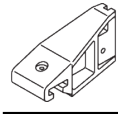

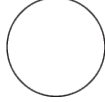
PARTS

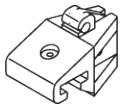
A. STANDARD PARTS

	SG 2111 Shaft
	SG 2116 Velcro profile
	SG 2131 End cover
	SG 2145 Glider
	SG 2156 Shaft
	SG 2182 Sleeve
	SG 2189 Crank drive
	SG 2191 Profile
	SG 2192 Drive
	SG 2193 Guide return
	SG 2230 Drive
	SG 2242 Connector
	SG 2244 Connector
	SG 2539 Tape

	SG 2613 Connector
	SG 2754 Detachable crank hood
	SG 2756 Crank handle
	SG 2759 Profile
	SG 3603 Bracket
	SG 3825 Clamp
	SG 5005 Belt connector
	SG 5130 Driving belt
	SG 6086 Spring stop
	SG 6321 Glider

B. OPTIONAL PARTS

	SG 2151 Profile
	SG 2152 Bearing shell
	SG 2153 Pulley
	SG 2176 Crank drive
	SG 2181 Support
	SG 2231 Profile
	SG 2235 Cross glider
	SG 2236 Cross profile glider
	SG 2237 Overlap arm right
	SG 2238 Overlap arm left
	SG 2239 Guide
	SG 2241 Halter
	SG 2243 End cover
	SG 2246 Rod PVC ø 5 mm



SG 2249

Holder



SG 2510

Velcro profile



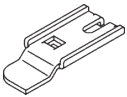
SG 2742

Crank joint



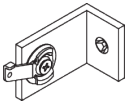
SG 3004

Clamp



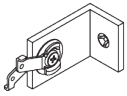
SG 3041

Bracket



SG 3181

Bracket 1 clamp



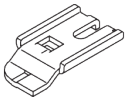
SG 3182

Bracket 2 clamps



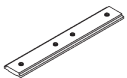
SG 3606

Clip



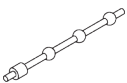
SG 3832

Bracket



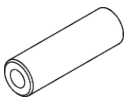
SG 5115

Connection bridge



SG 6322

Distance cord



SG 6796

Spring pin 4x12 DIN 1481

