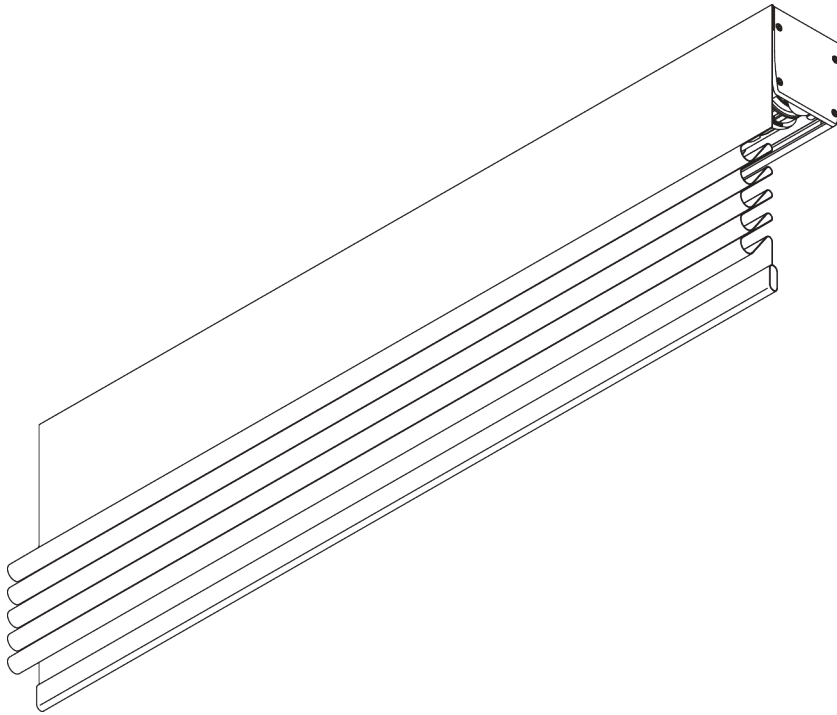
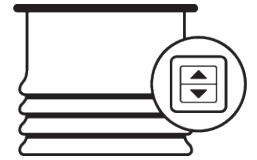


# SG 2350

---



## PRODUCT INFORMATION

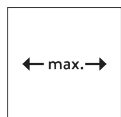
- **Operation:** motorised
- **Range:** S - L
- **Fitting:** ceiling, wall
- **Colours:** white RAL 9016
- **Fabrics:** refer to Silent Gliss fabric collection

### **Features:**

- Quiet and fast motors
- Soft stop
- Various control options
- Enclosed headrail

# SYSTEM SPECIFICATIONS

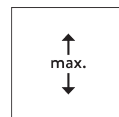
## A. SYSTEM DIMENSIONS



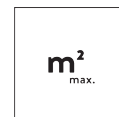
6 m



60 cm



6 m



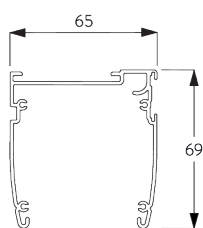
36 m<sup>2</sup>



15 kg

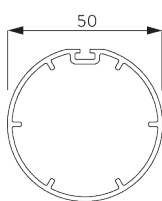
## B. PROFILE

### Profile information



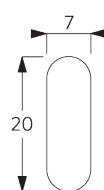
**SG 2351**

Profile



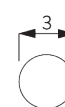
**SG 2352**

Profile ø 50 mm



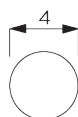
**SG 2004**

Bottom bar 20x7 mm



**SG 2135**

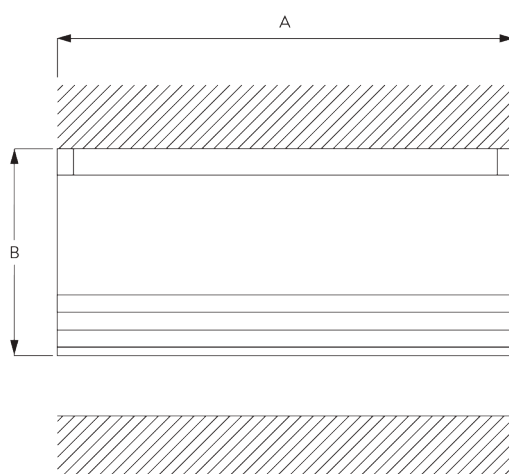
Rod steel ø 3 mm



**SG 2137**

Rod fiberglass ø 4 mm

## C. HOW TO MEASURE



A: System width

B: System height

## D. SPECIFICATION

### TEXT

#### EN

Silent Gliss SG 2350 Roman Blind Headrail System with motor. Comprises headrail SG 2351 made to measure and powder coated in white. Profile SG 2352 with cord holder SG 2358 and detachable cord lock SG 2357 for easy dismantling when washing the fabric. Cord SG 2216. Integral 230V motor SG 10522/ SG 10523 left / right side. Operation by mains switch (not supplied), by remote control or mains switching by third party control system. All wiring to be strictly in accordance with Silent Gliss wiring diagrams. Top fix using clip bracket SG 3003. Wall fix with SG Smart Fix and SG 3003 / SG 2521 at max. 90cm between fixing points. Fabric to be attached to headrail profile using loop tape. Fabric make up according to type A-D in the system description. For hardfold, the curtain should be delivered with rods SG2144 / SG 2135 / SG 2135. Child Safety components included, compliant to Child Safety Legislation EN 13120. Fabric to be chosen from the Silent Gliss fabric range, Price Groups 1-4.

#### SV

Silent Gliss SG 2350 hissgardinsystem med toppkassett och motor. Levereras komplett i specificerat mått innefattande kassett SG 2351 vitlack. Profil SG 2352 med linhållare SG2358 med avtagbart linlås SG 2357 för enkel nermontering av gardinen utan behov av omträdning efter tvätt. Lina SG 2216). Integrerad 230V motor SG 10522/ SG 10523 vänster / höger sida. Styrning via väggkontakt(ej inkluderad), via fjärrkontroll eller via externt styrsystem. All elinstallation skall följa Silent Gliss kopplingsschema. Takmontering med SG 3003. Vägghöjning med SG Smart Fix i kombination med SG 3003 / SG 2521. Max. c/c 900 mellan fästpunkter. Textil fästes mot kassett med kardborreteape. Sömnad typ A-D enligt systembeskrivning. Gardin med tvärstag levereras med tvärstag SG 2144 / SG 2137 / SG 2135. Barnsäkerhetsdetaljer inkluderade vilka uppfyller barnsäkerhetsnorm EN 13120. Textil från Silent Gliss textilprogram i prisgrupp 1-4.

#### NO

Silent Gliss SG 2350 motorisert liftgardin med toppkasse. Leveres komplett på spesifisert mål. Består av kassett SG 2351 hvitlakkert. Profil SG 2352, med avtagbar snorlås SG 2357 for enkel demontering, og for å unngå ny trekking av tråder etter vask. Snor SG 2216. Integrert 230V motor SG 10522 / SG 10523 venstre/høyre side. Styring via veggkontakt (ikke inkl.), via fjernkontroll (ikke inkl.), eller via eksternt styresystem. Silent Gliss koblingskjema må benyttes ved all el-installasjon. Takmontering med SG3003. Veggmontering SG Smart fix i kombinasjon med SG 3003 / SG 2521. Max c/c 900 mellom festepunktene. Tekstilen festes i kassetten med borrelås. Søm type A-D i.h.t. systembeskrivelse. Gardiner med spiler leveres med spile SG 2144 / SG 2137 / SG 2135. Oppfyller kravet til barnesikkerhetsnormen EN 13120. Tekstiler fra Silent Gliss tekstilprogram i prisgruppe 1-4.

#### DA

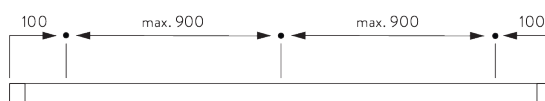
Silent Gliss SG 2350 rullegardinsystem med toppkassette og motor. Består af toppkassette SG 2351 i specificerede mål og med hvid pulverlakering. Profil SG 2352 med snorholder SG 2358 og aftagelig snorlås SG 2357, så det er nemt at skille ad, når stoffet skal vaskes. Snor SG 2216. Integreret 230 V motor SG 10522/ SG 10523 venstre / højre side. Styres med lysnetkontakt (medfølger ikke), med fjernbetjening eller lysnetkontakt fra tredjepart system. Al ledningsføring skal udelukkende vælges i henhold til Silent Gliss ledningsdiagrammer. Fastgøres i loftet med clipsbeslag SG 3003. Vægghøjning med SG Smart Fix og SG 3003 / SG 2521 med en afstand på 90 cm mellem fastgøringsspunkterne. Stoffet fastgøres til kassetten med burrelås. Stoffets søm i henhold til type A-D i systembeskrivelsen. Gardin med tværstang bør leveres med stængerne SG2144 / SG 2135 / SG 2135. Børnesikkerhedskomponenter medfølger. Overholder lovgivning om børnesikkerhed efter EN 13120. Stoffet vælges fra Silent Gliss stofprogrammet, prisgrupper 1-4.

# FITTING

## A. FITTING INFORMATION

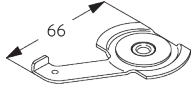
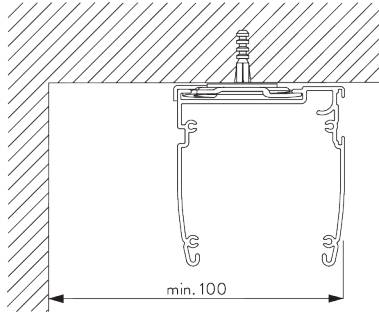
### Fixing points

For detailed fitting information, visit the Silent Gliss website.



## B. CEILING FITTING

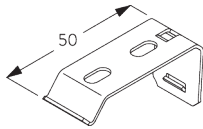
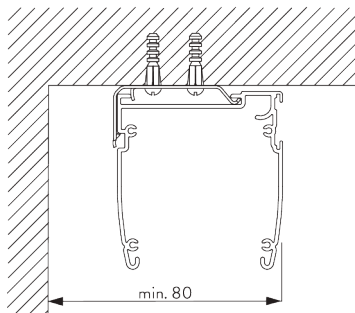
### Clamp SG 3003



**SG 3003**

Clamp

### Bracket SG 2521

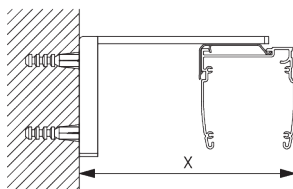


**SG 2521**

Bracket

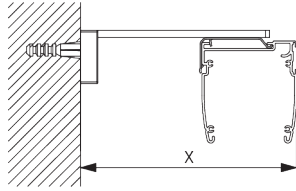
## C. WALL FITTING

### Smart Fix



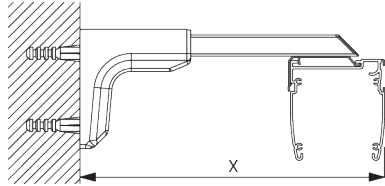
**Smart Fix SG 11200 - SG 11204 and bracket SG 2521:**  
Screw SG 10395 (M4x6) needed.

Smart Fix	X mm
SG 11200 / SG 11210	80-84
SG 11201 / SG 11211	100-104
SG 11202 / SG 11212	120-124
SG 11203 / SG 11213	140-144
SG 11204 / SG 11214	170-174
SG 11154	134-162
SG 11155	164-192
SG 11156	214-242



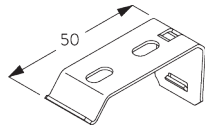
**Square Smart Fix SG 11210 - SG 11214 and  
bracket SG 2521:**

Screw SG 10395 (M4x6) needed.



**Universal Smart Fix SG 11154 - SG 11156 and  
bracket SG 2521:**

Screw SG 10492 (M4x8) needed.



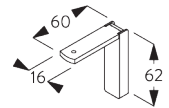
**SG 2521**  
Bracket



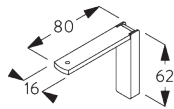
**SG 10395**  
Pan head screw M4x6



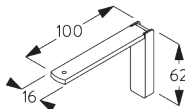
**SG 10492**  
Pan head screw M4x8



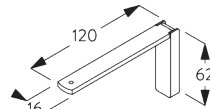
**SG 11200**  
Smart Fix 60 mm



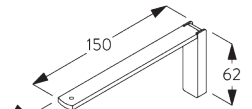
**SG 11201**  
Smart Fix 80 mm



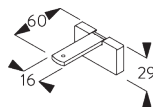
**SG 11202**  
Smart Fix 100 mm



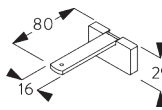
**SG 11203**  
Smart Fix 120 mm



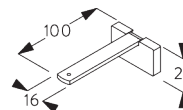
**SG 11204**  
Smart Fix 150 mm



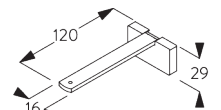
**SG 11210**  
Square Smart Fix 60 mm



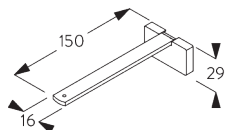
**SG 11211**  
Square Smart Fix 80 mm



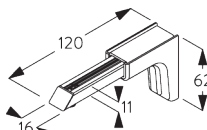
**SG 11212**  
Square Smart Fix 100 mm



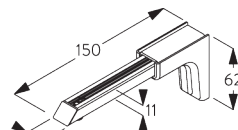
**SG 11213**  
Square Smart Fix 120 mm



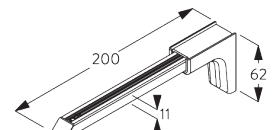
**SG 11214**  
Square Smart Fix 150 mm



**SG 11154**  
Universal Smart Fix 120 mm

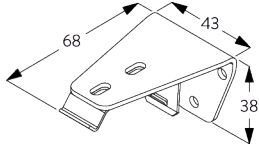
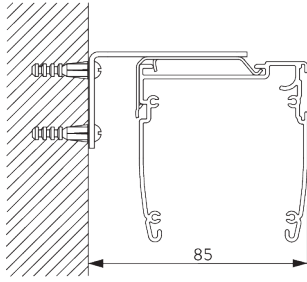


**SG 11155**  
Universal Smart Fix 150 mm



**SG 11156**  
Universal Smart Fix 200 mm

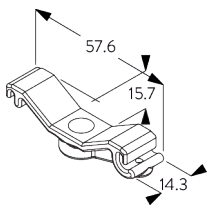
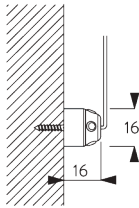
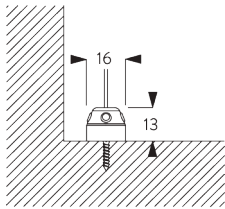
**Bracket SG 2363**



**SG 2363**

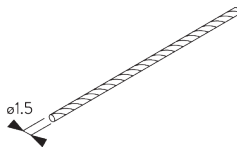
Bracket 68 mm

**D. FITTING WITH  
SIDE GUIDE  
OPTION**



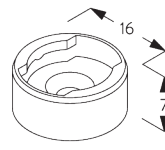
**SG 2362**

Side guide wire holder



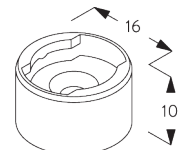
**SG 4948**

Side guide wire ø 1.5 mm



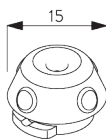
**SG 8235**

Side guide wire base short



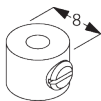
**SG 8236**

Side guide wire base long



**SG 8237**

Side guide wire holder

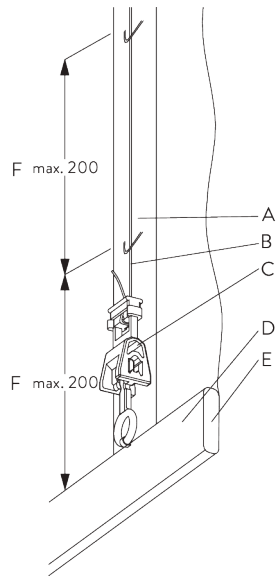


**SG 8249**

Side guide device

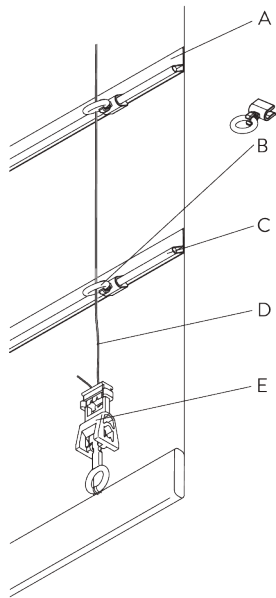
# SYSTEM OPTIONS

## A. FABRIC MAKE-UP



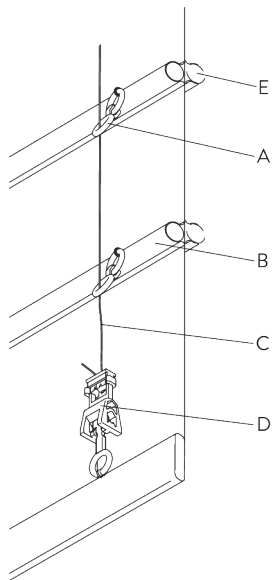
### Type A

- A: Loop tape SG 3074
- B: Cord SG 2216
- C: Child safety hook set SG 3164
- D: Hollow hem
- E: Bottom bar SG 2004
- F: Child safety: max. distance 200 mm



### Type B

- A: Hollow hem
- B: Child safety eyelet hard fold SG 3069
- C: Rod SG 2135
- D: Cord SG 2216
- E: Child safety hook set SG 3164



### Type C

A: Child safety eyelet set SG 3161

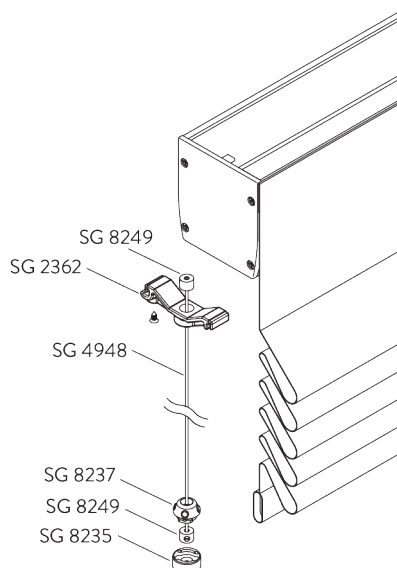
B: Tube SG 2135 / SG 2137

C: Cord SG 2216

D: Child safety hook set SG 3164

E: Option: tube SG 2135 / SG 2137 can be installed to room side

## B. SIDE GUIDES



Additional parts:

- 2x SG 2362 Side guide wire holder
- 2x SG 4948 Side guide wire  $\varnothing$  1.5 mm
- 2x SG 8235 Side guide wire base short
- 2x SG 8237 Side guide wire holder
- 4x SG 8249 Side guide device

Note:

- Up to 15° from vertical



# MOTORS & CONTROLS

## A. MOTOR FEATURES

Motors	50-Series	20-Series	20-Series	10-Series K	5-Series
	SG 11251 SG 11252	SG 10323 SG 10523	SG 10322 SG 10522	SG 10514	SG 10715

### Motor Features

Soft stop	•	•	•		
Electronic end-stop	•	•	•		
Electronic revolution counter (unlimited revolution)	•	•	•		
Mechanical end-stop				•	•
Mechanical revolution counter (limited revolution)				•	•
Two intermediate positions possible		•			
Bottom bar alignment	•				
Noiseless stop		•	•	•	
Parallel wiring possible without additional relays		•	•		
Disconnectable motor cable	•	•	•		
IP class	IP 30	IP 44	IP 44	IP 44	IP 44

### Control Features

Mains power control		•	•	•	•
SG Control L (built-in receiver)		•			
Smart by Silent Gliss	•				
Suitable for most major home automation systems (with suitable interface)		•	•	•	•

## B. MOTOR SPECIFICATIONS

Motors	Max. weight	Min. system width	Voltage	Current	Frequency	Speed	Frequency receiver
--------	-------------	-------------------	---------	---------	-----------	-------	--------------------

### 50-Series (Smart by Silent Gliss)

SG 11251	7.5 kg	60 cm	24 V DC	1.5 A	-	32 rpm	-
SG 11252	15 kg	60 cm	24 V DC	2.1 A	-	20 rpm	-

### 20-Series

SG 10322 (Standard)	15 kg	60 cm	230 V AC	0.73 A	50 Hz	30 rpm	-
SG 10323	15 kg	60 cm	230 V AC	0.73 A	50 Hz	30 rpm	868/915 MHz
SG 10522	7.5 kg	60 cm	230 V AC	0.55 A	50 Hz	30 rpm	-
SG 10523	7.5 kg	60 cm	230 V AC	0.55 A	50 Hz	30 rpm	868/915 MHz

### 10-Series K

SG 10514	7.5 kg	60 cm	230 V AC	0.52 A	50 Hz	30 rpm	-
----------	--------	-------	----------	--------	-------	--------	---

### 5-Series

SG 10715	15 kg	60 cm	230 V AC	0.485 A	50-60 Hz	28 rpm	-
----------	-------	-------	----------	---------	----------	--------	---

## C. OPERATING METHODS

See catalogue "controls" for details.

Wall Switch



System can be operated by fixed wall switch.

SG Control L



Various radio hand-held and wall transmitters available.



Silent Gliss Move App.



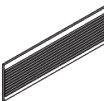
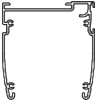




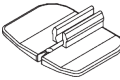

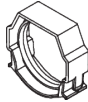


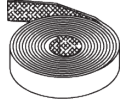
D. WIRING  
DIAGRAMS


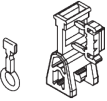
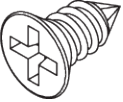


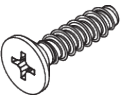


Refer to Silent Gliss website.

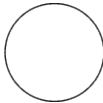
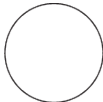

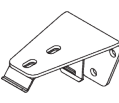
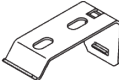
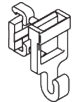

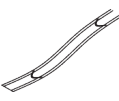
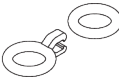





# PARTS

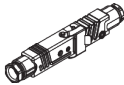
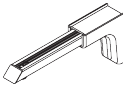
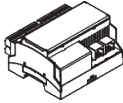
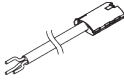
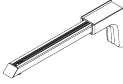
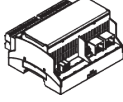

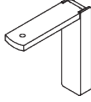
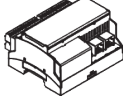

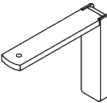
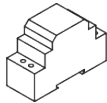

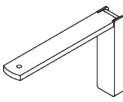
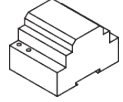

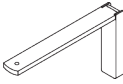
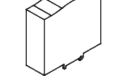

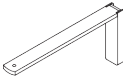
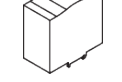

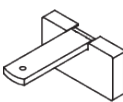

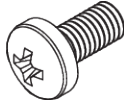
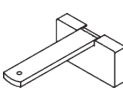
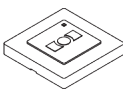
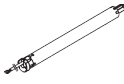
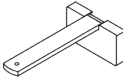


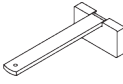


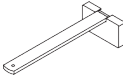


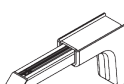

## A. STANDARD PARTS

	<b>SG 2004</b> Bottom bar 20x7 mm
	<b>SG 2216</b> Cord ø 0.85 mm
	<b>SG 2221</b> Velcro tape
	<b>SG 2351</b> Profile
	<b>SG 2352</b> Profile ø 50 mm
	<b>SG 2353</b> End cover
	<b>SG 2354</b> End cover
	<b>SG 2355</b> Tube adapter
	<b>SG 2357</b> Pin
	<b>SG 2358</b> Shell
	<b>SG 2359</b> Support
	<b>SG 2361</b> Tube adapter
	<b>SG 2368</b> Motor plate
	<b>SG 2539</b> Tape

	<b>SG 3003</b> Clamp
	<b>SG 3164</b> Child safety hook set
	<b>SG 10139</b> Countersunk screw 2.9x6.5
	<b>SG 10284</b> O-Ring
	<b>SG 10522</b> Motor 230V AC, 20-Series S 3/30
	<b>SG 11324</b> PT Screw Countersunk KA35x14

## B. OPTIONAL PARTS

	<b>SG 2135</b> Rod steel ø 3 mm
	<b>SG 2137</b> Rod fiberglass ø 4 mm
	<b>SG 2362</b> Side guide wire holder
	<b>SG 2363</b> Bracket 68 mm
	<b>SG 2521</b> Bracket
	<b>SG 3055</b> Hook
	<b>SG 3069</b> Child safety eyelet
	<b>SG 3074</b> Loop tape
	<b>SG 3161</b> Child safety eyelet set
	<b>SG 4948</b> Side guide wire ø 1.5 mm
	<b>SG 8235</b> Side guide wire base short
	<b>SG 8236</b> Side guide wire base long
	<b>SG 8237</b> Side guide wire holder
	<b>SG 8249</b> Side guide device

	<b>SG 9916</b> Hirschmann plug set		<b>SG 11155</b> Universal Smart Fix 150 mm		<b>SG 11260</b> Gateway Cedia
	<b>SG 10293</b> Cable 230V AC, 2/3/5/10 m		<b>SG 11156</b> Universal Smart Fix 200 mm		<b>SG 11261</b> Gateway KNX
	<b>SG 10300</b> Radio hand held 1 channel		<b>SG 11200</b> Smart Fix 60 mm		<b>SG 11262</b> Expansion unit
	<b>SG 10302</b> Radio hand held 5+1 channel		<b>SG 11201</b> Smart Fix 80 mm		<b>SG 11263</b> Power supply 24V DC, 2 Ampere DIN Rail
	<b>SG 10303</b> Radio hand held 10+2+1 channel		<b>SG 11202</b> Smart Fix 100 mm		<b>SG 11264</b> Power supply 24V DC, 3.8 Ampere DIN Rail
	<b>SG 10322</b> Tubular motor 230V AC, 20 Series S 5/30		<b>SG 11203</b> Smart Fix 120 mm		<b>SG 11265</b> Power supply 24V DC, 5 Ampere DIN Rail
	<b>SG 10323</b> Tubular motor 230V AC, 20-Series S 5/30, radio receiver		<b>SG 11204</b> Smart Fix 150 mm		<b>SG 11266</b> Power supply 24V DC, 10 Ampere DIN Rail
	<b>SG 10395</b> Pan head screw M4x6		<b>SG 11210</b> Square Smart Fix 60 mm		<b>SG 11351</b> Motor drive 5-Series
	<b>SG 10492</b> Pan head screw M4x8		<b>SG 11211</b> Square Smart Fix 80 mm		<b>SG 11480</b> Radio wall transmitter 1 channel
	<b>SG 10514</b> Tubular motor 230V AC, 10 Series S 3/30 K		<b>SG 11212</b> Square Smart Fix 100 mm		<b>SG 11482</b> Ring
	<b>SG 10523</b> Motor 230V AC, 20-Series S 3/30, radio receiver		<b>SG 11213</b> Square Smart Fix 120 mm		<b>SG 11490</b> Radio wall transmitter 5+1 channel
	<b>SG 10715</b> Tubular motor 230V AC, 5 Series S 6/28		<b>SG 11214</b> Square Smart Fix 150 mm		
	<b>SG 10804</b> Radio hand held 15+5+1 channel		<b>SG 11251</b> Tubular motor 24V DC, 50-Series S 3/32		
	<b>SG 11154</b> Universal Smart Fix 120 mm		<b>SG 11252</b> Tubular motor 24V DC, 50-Series S 6/20		