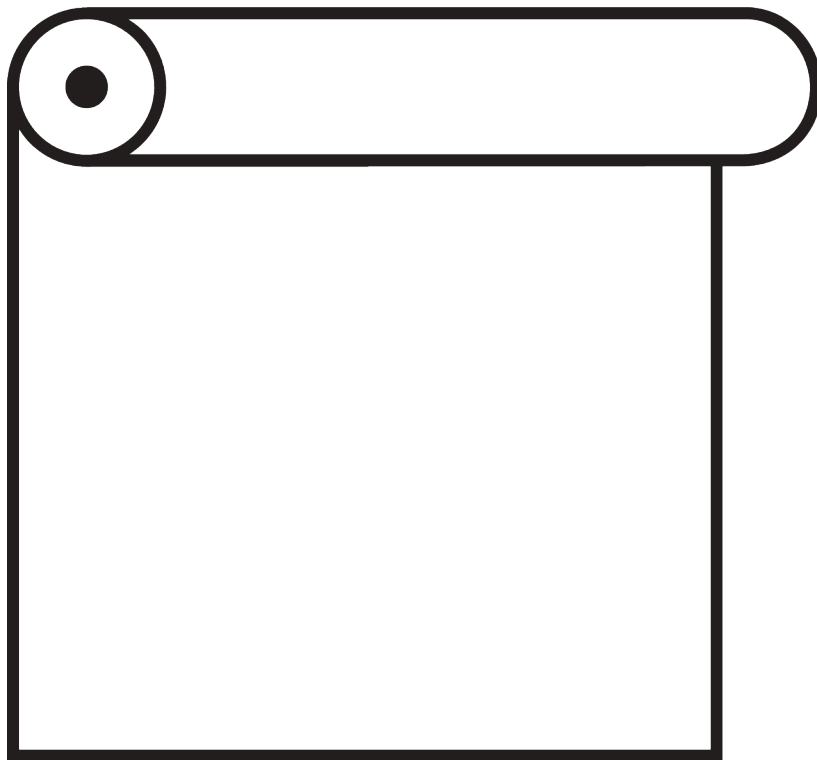


ROLLER BLIND SYSTEMS



GENERAL NOTES

Dimensions

- Measurements are in mm except where indicated.
- Max. kg relates to fabric incl. accessories (bottom bars, etc.).











Fitting

- Installation by qualified fitter only.
- Number of brackets and fitting positions / fixing points vary depending on fitting surface, system weight, fabric make-up, screw / fixing type and obstacles.
- Qualified fitter must use appropriate screws / fixings for each situation.
- Profile lip if applicable to be installed to room side.
- Electrical installations must be carried out according to Silent Gliss wiring diagrams and conform to local regulations.
- Check space for cables and plugs!

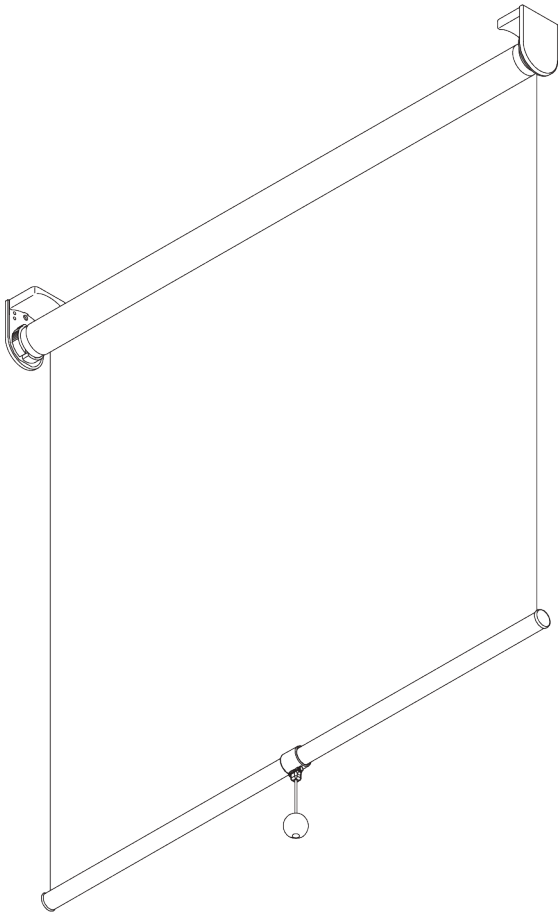
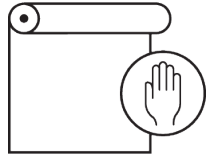
Child Safety

- All relevant Silent Gliss systems correspond to child safety EN 13120.
- All parties involved must comply with EN 13120.

APPLICATION CHART

| <u>PAGE</u> | <u>SYSTEM</u> | <u>OPERATION</u> | <u>DIMENSION</u> | ← max. → | ↑ max. ↓ | kg _{max.} |
|-------------|----------------|---|------------------|----------|----------|--------------------|
| 5 | SG 4900 |  | S - M | 2 m | 3 m | 2.2 kg |
| 15 | SG 4905 |  | S | 1.6 m | 3 m | 1.3 kg |
| 23 | SG 4907 |  | S | 1.8 m | 2.8 m | 2.5 kg |
| 31 | SG 4910 |  | S - M | 2.4 m | 3 m | 3 kg |
| 49 | SG 4930 |  | M - L | 3.4 m | 5 m | 7 kg |
| 63 | SG 4840 |  | L | 5 m | 6 m | 12.5 kg |
| 73 | SG 4955 |  | S - M | 2.4 m | 4 m | 2.5 kg |
| 81 | SG 4960 |  | S - M | 2.4 m | 4 m | 5.5 kg |
| 101 | SG 4970 |  | M - L | 3.4 m | 5 m | 10 kg |
| 117 | SG 4880 |  | L | 5 m | 12 m | 23 kg |

SG 4900



PRODUCT INFORMATION

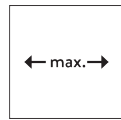
- **Operation:** spring
- **Range:** S - M
- **Fitting:** ceiling, wall, recess
- **Colours:** white RAL 9016, special colours possible
- **Fabrics:** refer to Silent Gliss fabric collection

Features:

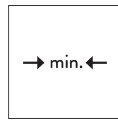
- Speed controller for controlled ascent
- Stop clutch mechanism to stop at any position
- Click-in brackets
- Installation profile
- End stop controller

SYSTEM SPECIFICATIONS

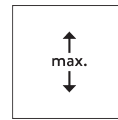
A. SYSTEM DIMENSIONS



2 m



30 cm



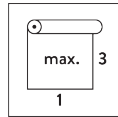
3 m



6 m²



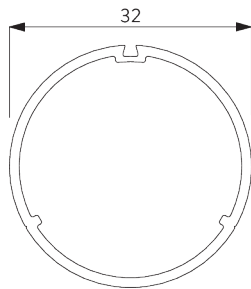
2.2 kg



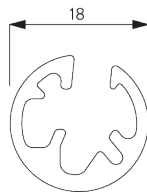
Recommended width /
height ratio
max. 1:3

B. PROFILE

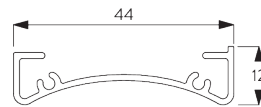
Profile information



SG 4227
Tube ø 32 mm

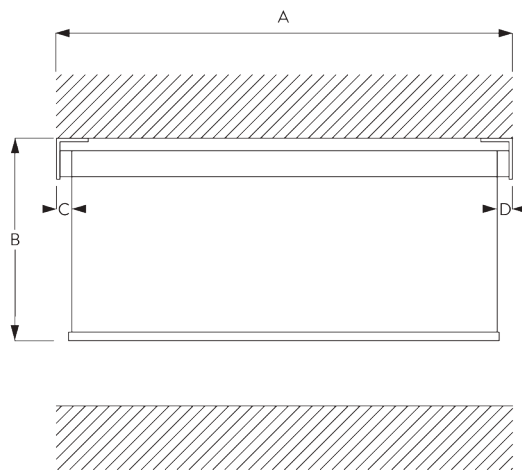


SG 10872
Bottom bar



SG 10534
Installation profile

C. HOW TO MEASURE



A: System width
B: System height
C: Light gap left side: 15 mm
D: Light gap right side: 15 mm

Note:
All measurements include 2 mm for bracket cover per side!

D. SPECIFICATION

TEXT

EN

Silent Gliss SG 4900 Spring Operated Roller Blind System. Roller blind system applications up to 2.0 m wide. Supplied made to measure and complete comprising anodised aluminium barrel SG 4227, 32 mm. Ceiling fix with brackets SG 10987 / SG 10989 / wall fix with brackets SG 10987 / SG 10990 / recess fix with brackets SG 10989 / SG 10991. Optional installation profile SG 10534. Available with optional stop controller SG 4377 to enable exact stop position of the blind. Assembled with powder coated aluminium bottom weight bar SG 4221 / 10633 / 10634 in white, silver or black finish. Spring to be specified according to weight and characteristics of fabric. Fabric to be chosen from the Silent Gliss fabric range, Price Groups 1-4.

SV

Silent Gliss SG 4900 fjädermanövrerat rullgardinsystem. Rullgardinsystem för installationer med max. breddmått 2 m. Levereras komplett i specificerat mått innefattande anodiserat rör SG4227, 32 mm. Takmontage med SG 10987 / SG 10989 / väggmontering med fästen SG 10987 / SG 10990 / infälld montering med fästen SG 10989 / SG 10991. Alternativt med installationsprofil SG 10534. Tillbehör SG 4377 för att bestämma exakt ändläge nertill/upptill. Monterad tyngdprofil i aluminium i finish vitt/alu/svart med SG 4221 / 10633 / 10634). Fjäder anpassas efter vikt och typ av textil. Textil från Silent Gliss textilprogram i prisgrupp 1-4.

NO

Silent Gliss SG 4900 Fjærbetjent rullegardinsystem. Rullegardinsystem for maks. bredde på 2 meter. Leveres komplett på spesialmåll med anodisert rør integrert, SG4227, 32mm. Takmontering med SG10987 / SG10989 / veggmontering med feste SG 10987 / SG 10990 / innfelt montering med feste SG10989/SG 10990. Alternativt med installasjonsprofil SG 10534. SG 4377 brukes for å justere eksakt endeosisjon oppe/nede. Montert tyngdeprofil i aluminium i finish hvit/alu/svart med SG 4221 / 10633 / 10634. Fjær tilpasset vekt og type av tekstil. Tekstil fra Silent Gliss kolleksjon i prisgruppe 1-4.

DA

Silent Gliss SG 4900 fjederstyret rullegardinsystem. Rullegardinsystemer til installationer med op til 2,0 m bredde. Leveres i ønsket længde og samlet. Består af anodiseret aluminiumrør SG 4227, 32 mm. Fastgøres i loftet med beslagene SG 10987 / SG 10989 eller fastgøres i væggen med beslagene SG 10987 / SG 10990. Kan også indfældes med beslagene SG 10989 / SG 10991. Alternativt med installationsprofil SG 10534. Valgfri stopstyring SG 4377 for at bestemme rullegardinets nøjagtige stop-position. Monteret med pulverlakeret tyngdeprofil af aluminium SG 4221 / 10633 / 10634 med hvid, sølv eller sort finish. Fjederen tilpasses efter vægt og type af stoffet. Stoffet vælges fra Silent Gliss stofprogrammet, prisgrupper 1-4.

FITTING

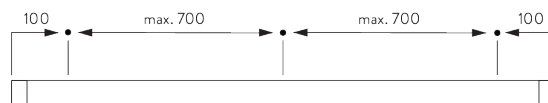
A. FITTING INFORMATION

Fixing points

For detailed fitting information, visit the Silent Gliss website.

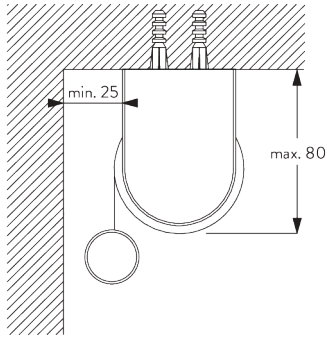


Brackets (wall / ceiling)



Installation profile SG 10534 (wall / ceiling)

B. CEILING FITTING

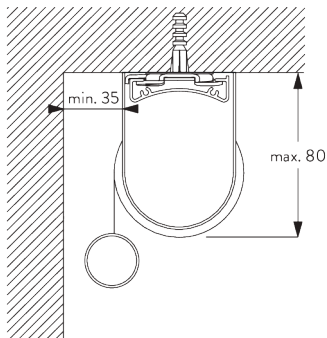


Brackets

Bracket SG 10989: window rolling side of fabric

Bracket SG 10991: room rolling side of fabric

Bracket SG 10987

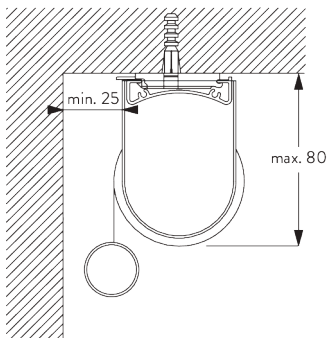


Installation profile SG 10534 and clamps SG 3033 or SG 3044

Bracket SG 10989: window rolling side of fabric

Bracket SG 10991: room rolling side of fabric

Bracket SG 10987

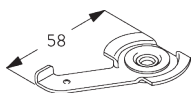


Installation profile SG 10534 and click bracket SG 10539

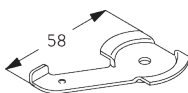
Bracket SG 10989: window rolling side of fabric

Bracket SG 10991: room rolling side of fabric

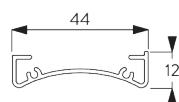
Bracket SG 10987



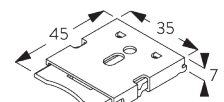
SG 3033
Clamp



SG 3044
Clamp



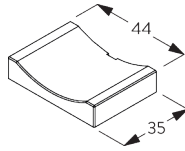
SG 10534
Installation profile



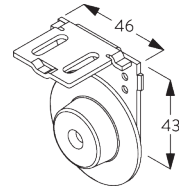
SG 10539
Bracket



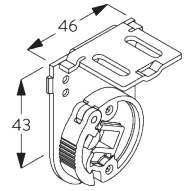
SG 10574
Bracket cover



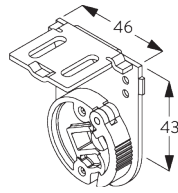
SG 10575
Bracket cover



SG 10987
Bracket

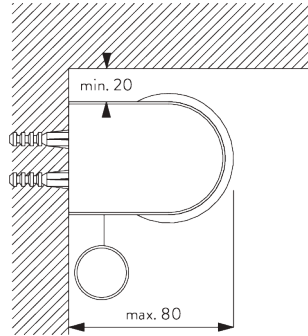


SG 10989
Bracket



SG 10991
Bracket

C. WALL FITTING

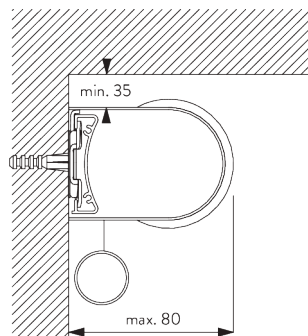


Brackets

Bracket SG 10990: window rolling side of fabric

Bracket SG 10992: room rolling side of fabric

Bracket SG 10987

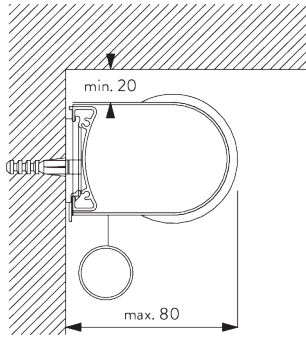


Installation profile SG 10534 and clamps SG 3033 or SG 3044

Bracket SG 10990: window rolling side of fabric

Bracket SG 10992: room rolling side of fabric

Bracket SG 10987

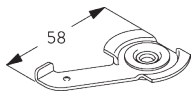


Installation profile SG 10534 and click bracket SG 10539

Bracket SG 10990: window rolling side of fabric

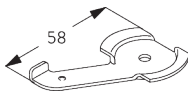
Bracket SG 10992: room rolling side of fabric

Bracket SG 10987



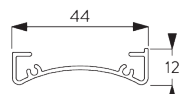
SG 3033

Clamp



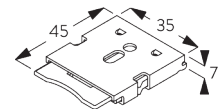
SG 3044

Clamp



SG 10534

Installation profile



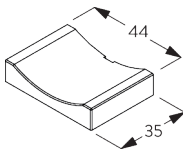
SG 10539

Bracket



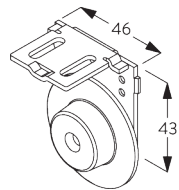
SG 10574

Bracket cover



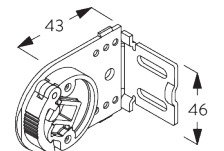
SG 10575

Bracket cover



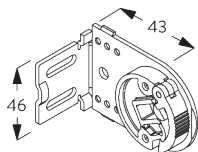
SG 10987

Bracket



SG 10990

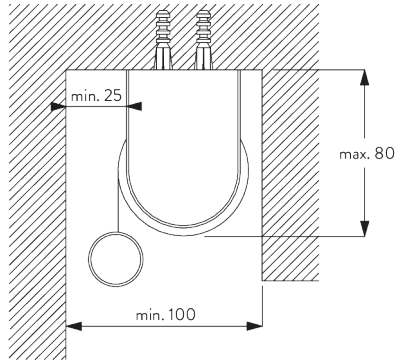
Bracket



SG 10992

Bracket

D. RECESS FITTING

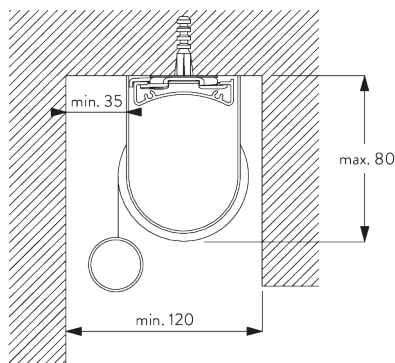


Brackets

Bracket SG 10989: window rolling side of fabric

Bracket SG 10991: room rolling side of fabric

Bracket SG 10987

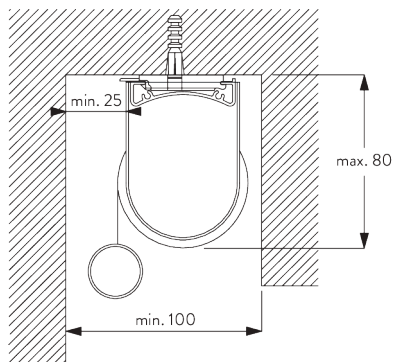


Installation profile SG 10534 and clamps SG 3033 or SG 3044

Bracket SG 10989: window rolling side of fabric

Bracket SG 10991: room rolling side of fabric

Bracket SG 10987

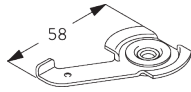


Installation profile SG 10534 and click bracket SG 10539

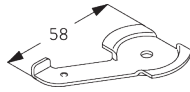
Bracket SG 10989: window rolling side of fabric

Bracket SG 10991: room rolling side of fabric

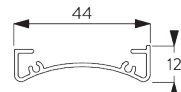
Bracket SG 10987



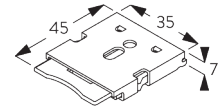
SG 3033
Clamp



SG 3044
Clamp



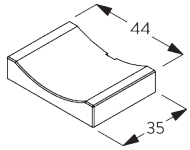
SG 10534
Installation profile



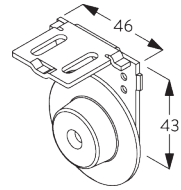
SG 10539
Bracket



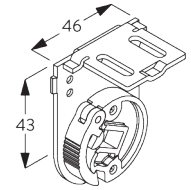
SG 10574
Bracket cover



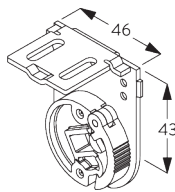
SG 10575
Bracket cover



SG 10987
Bracket



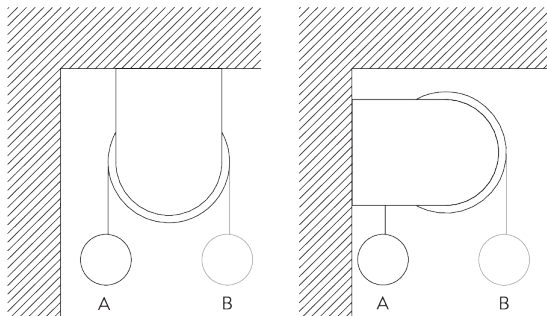
SG 10989
Bracket



SG 10991
Bracket

SYSTEM OPTIONS

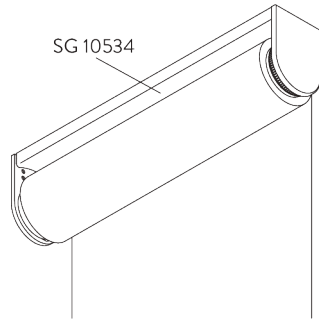
A. FABRIC ROLL-OFF



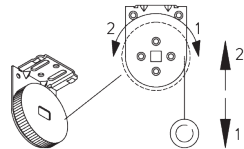
A: Fabric roll-off window side (standard)

B: Fabric roll-off room side (option)

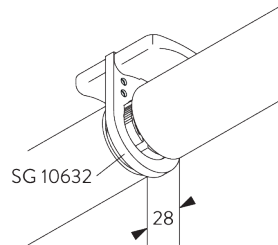
B. INSTALLATION
PROFILE



C. ADJUSTABLE END
STOP



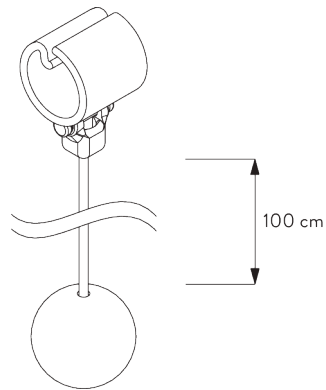
D. TWO SINGLE
SYSTEMS SIDE-BY-
SIDE



Additional parts:

- 1x SG 10632 Connection bracket cover

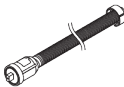
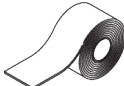
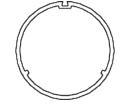
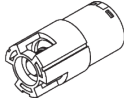
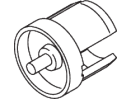

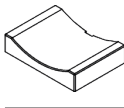
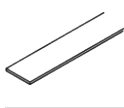
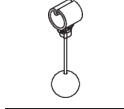


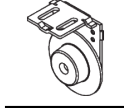

E. CHILD SAFETY
PULL BALL SET



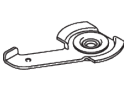
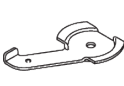
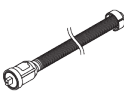
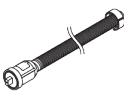
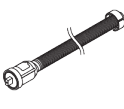
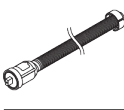
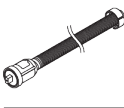
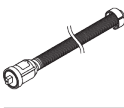
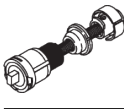
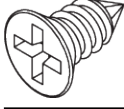

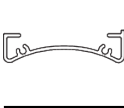
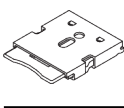

Child safety pull ball set SG 10765

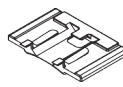


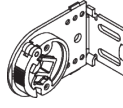

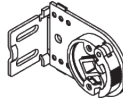
PARTS

A. STANDARD PARTS

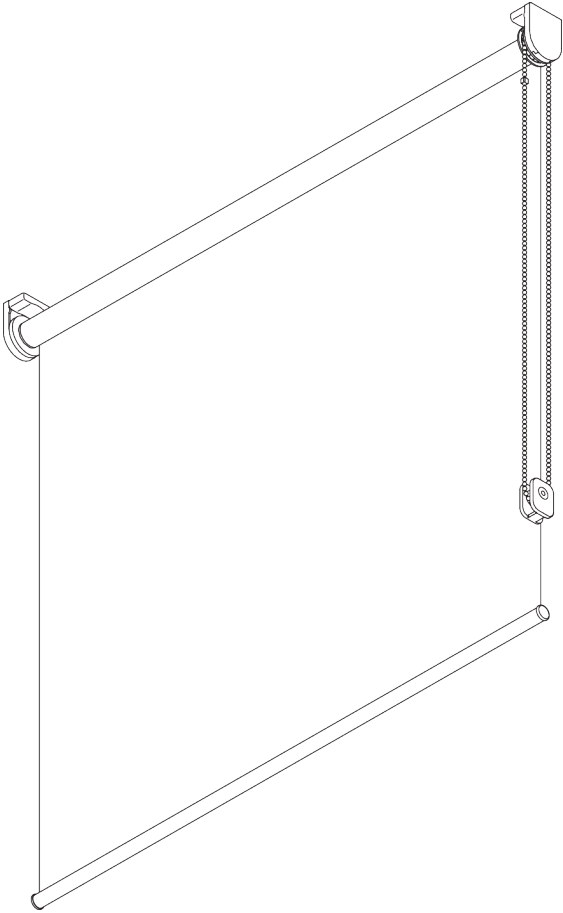
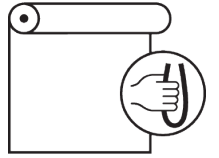
| | |
|--|---|
|  | SG 4214 Spring C 552 mm |
|  | SG 4226 Double tape 30 mm |
|  | SG 4227 Tube ø 32 mm |
|  | SG 4228 Speed controller right |
|  | SG 4231 Tube adapter |
|  | SG 10574 Bracket cover |
|  | SG 10575 Bracket cover |
|  | SG 10668 PVC strip 10 mm |
|  | SG 10765 Child safety pull ball |
|  | SG 10872 Bottom bar |
|  | SG 10874 End cover |
|  | SG 10987 Bracket |
|  | SG 10989 Bracket |

B. OPTIONAL PARTS

| | |
|---|--|
|  | SG 3033 Clamp |
|  | SG 3044 Clamp |
|  | SG 4212 Spring A 365 mm |
|  | SG 4213 Spring B 442 mm |
|  | SG 4215 Spring D 612 mm |
|  | SG 4216 Spring E 502 mm |
|  | SG 4217 Spring F 612 mm |
|  | SG 4218 Spring Y-2 198 mm |
|  | SG 4377 End stop |
|  | SG 10139 Countersunk screw 2.9x6.5 |
|  | SG 10498 Countersunk screw 2.9x9.5 |
|  | SG 10534 Installation profile |
|  | SG 10539 Bracket |
|  | SG 10632 Connection bracket cover |

| | |
|--|-------------------------------------|
|  | SG 10690 Spacer |
|  | SG 10707 End stop |
|  | SG 10988 Bracket end stop |
|  | SG 10990 Bracket |
|  | SG 10991 Bracket |
|  | SG 10992 Bracket |

SG 4905



PRODUCT INFORMATION

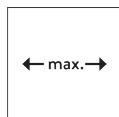
- **Operation:** chain
- **Range:** S
- **Fitting:** ceiling, wall, recess
- **Colours:** 20 colours plus silver
- **Fabrics:** refer to Silent Gliss fabric collection

Features:

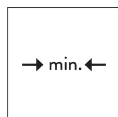
- Stainless steel bead chain
- Click-in brackets

SYSTEM SPECIFICATIONS

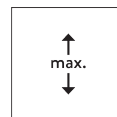
A. SYSTEM DIMENSIONS



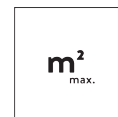
1.6 m



25 cm



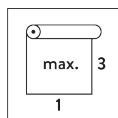
3 m



4.8 m²



1.3 kg



Recommended width /
height ratio
max. 1:3

Maximum system drop

Wall fitting (system drop on window side)

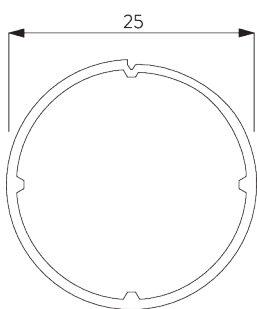
| | | | | | | | | | | |
|------------------|----|------|------|------|------|------|------|------|------|------|
| Fabric thickness | mm | 0.15 | 0.20 | 0.25 | 0.30 | 0.35 | 0.40 | 0.45 | 0.50 | 0.55 |
| Max. system drop | cm | 300 | 300 | 300 | 300 | 290 | 260 | 240 | 210 | 190 |

Ceiling fitting / wall fitting (system drop on room side)

| | | | | | | | | | | |
|------------------|----|------|------|------|------|------|------|------|------|------|
| Fabric thickness | mm | 0.15 | 0.20 | 0.25 | 0.30 | 0.35 | 0.40 | 0.45 | 0.50 | 0.55 |
| Max. system drop | cm | 300 | 300 | 300 | 300 | 300 | 300 | 290 | 260 | 240 |

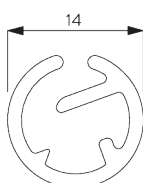
B. PROFILE

Profile information



SG 10533

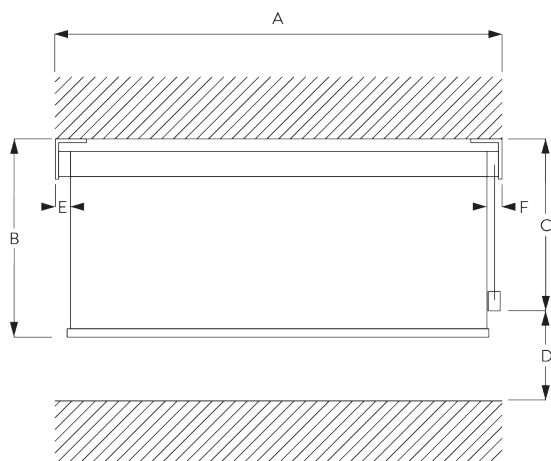
Tube ø 25 mm



SG 10687

Bottom bar

C. HOW TO MEASURE



- A: System width
- B: System height
- C: Chain height
- D: Safety Retainer SG 10731 min. 150 cm above floor
- E: Light gap: 16 mm
- F: Light gap operation side: 21 mm

D. SPECIFICATION TEXT

EN

Silent Gliss SG 4905 Chain Operated Roller Blind System. Roller blind system for blind applications up to 1.6 m wide. Supplied made to measure and complete comprising anodised aluminium barrel SG 10533. Fixed to wall / ceiling/inside recess with brackets SG 10679 / SG 10680 and bracket covers SG 10683 / SG 10684. Assembled with powder coated aluminium bottom weight bar SG 10687. All parts are supplied colour matched to 27 Colorama colours, or silver. Compliant to Child Safety legislation EN 13120. Fabric to be chosen from the Silent Gliss fabric range Colorama 1 or Colorama 2.

SV

Silent Gliss SG 4905 kedjemanövrerat rullgardinsystem. Rullgardinsystem för installationer upp till 1.6 m bredd. Levereras komplett i specificerat mått innefattande anodiserat rör SG 10533. Vägg/tak och nischmontering med fästen SG 10679 / SG 10680 samt täckplattor SG 10683 / SG 10684. Monterad tyngdprofil i aluminium SG 10687. Alla delar levereras färgmatchade till 27 Colorama färger, alternativt silver. Uppfyller barnsäkerhetsnormen EN 13120. Textil från Silent Gliss textilprogram Colorama 1 eller Colorama 2.

NO

Silent Gliss SG 4905 Kjedefbetjent rullegardinsystem. Rullegardinsystem for maks. bredde på 1,6 meter. Leveres komplett på spesialmål med anodisert rør integrert, SG 10533. Tak-,vegg- og nischmontering med feste SG 10679 / SG10680 og deksel SG10683 / SG10684. Monteret med tyngdeprofil i aluminium SG 10687. Alle deler leveres i matchene farger, tilpasset 27 Colorama-farger, alternativt sølv. Oppfyller barnesikkerhetsnormen EN 13120. Tekstil fra Silent Gliss kolleksjon Colorama 1 eller Colorama 2.

DA

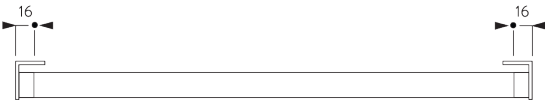
Silent Gliss SG 4905 gardinskinnesystem med kædestyring. Rullegardinsystemer til installationer med op til 1,6 m i bredden. Leveres i ønsket længde og samlet. Består af anodiseret aluminiumrør SG 10533. Fastgøres i væggen / loftet / indfældes med beslagene SG 10679 / SG 10680 og beslagafdækningerne SG 10683 / SG 10684. Monteret med pulverlakeret tyngdeprofil af aluminium SG 10687. Alle dele leveres i matchende farver efter 27 Colorama-farver eller sølv. Overholder lovgivning om barnesikkerhed efter EN 13120. Stoffet vælges fra Silent Gliss stofprogrammet, Colorama 1 eller Colorama 2.

FITTING

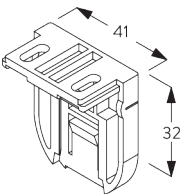
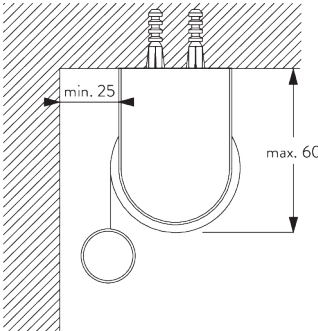
A. FITTING INFORMATION

For detailed fitting information, visit the Silent Gliss website, login section.

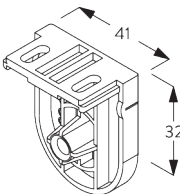
Fixing points



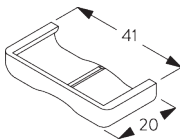
B. CEILING FITTING



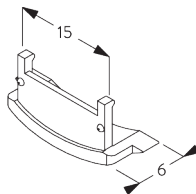
SG 10679
Bracket



SG 10680
Bracket

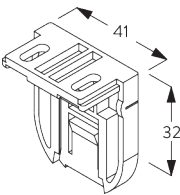
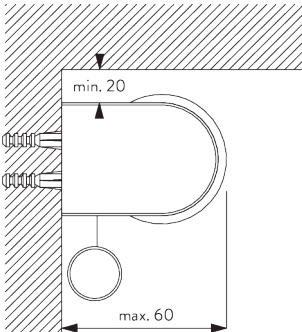


SG 10683
Bracket cover

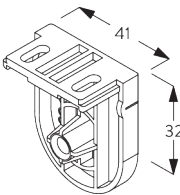


SG 10684
Cover

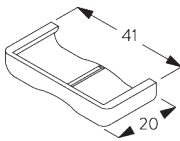
C. WALL FITTING



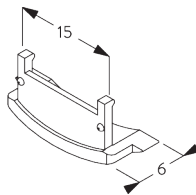
SG 10679
Bracket



SG 10680
Bracket

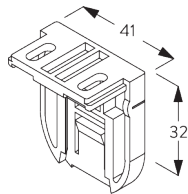
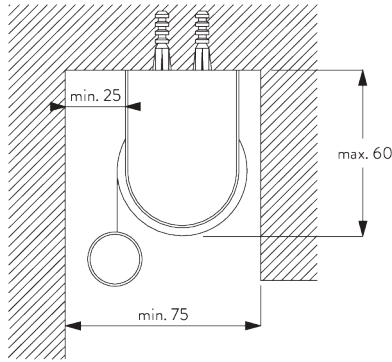


SG 10683
Bracket cover

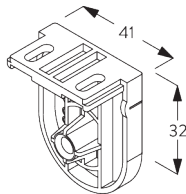


SG 10684
Cover

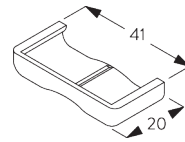
D. RECESS FITTING



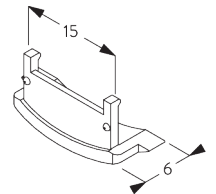
SG 10679
Bracket



SG 10680
Bracket

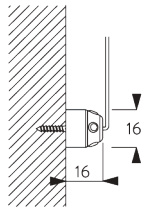
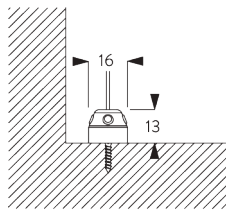


SG 10683
Bracket cover

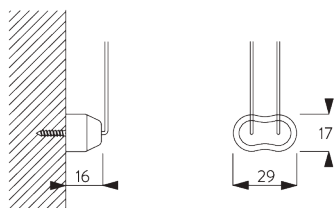
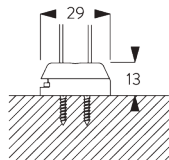


SG 10684
Cover

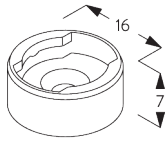
**E. FITTING WITH
SIDE GUIDE
OPTION**



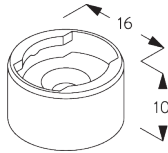
Single system



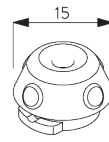
Double system (side-by-side installation)



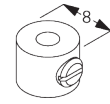
SG 8235
Side guide wire base short



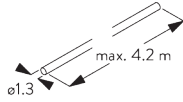
SG 8236
Side guide wire base long



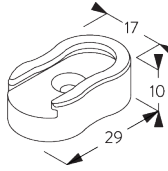
SG 8237
Side guide wire holder



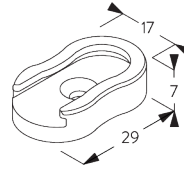
SG 8249
Side guide device



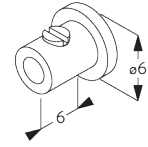
SG 10643
Side guide wire \varnothing 1.3 mm x 4.2 m



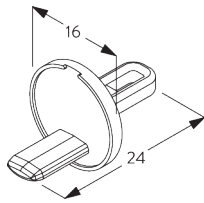
SG 10669
Side guide double base long



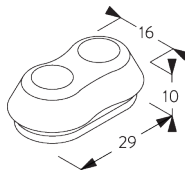
SG 10673
Side guide double base short



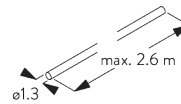
SG 10676
Device



SG 10686
Side guide end cover



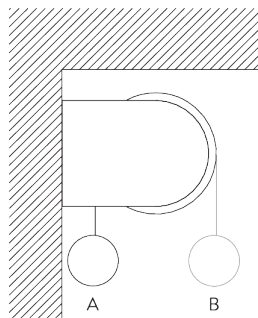
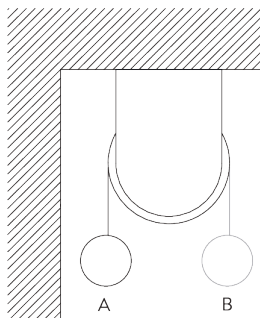
SG 10701
Side guide double wire holder



SG 10706
Side guide wire \varnothing 1.3 mm x 2.6 m

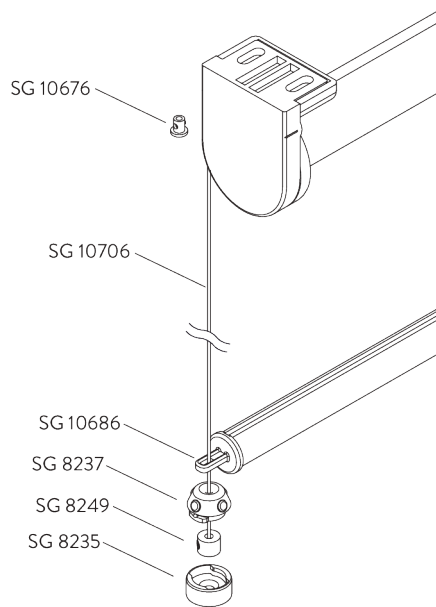
SYSTEM OPTIONS

A. FABRIC ROLL-OFF



A: Fabric roll-off window side (standard)
B: Fabric roll-off room side (option)

B. SIDE GUIDES



Additional parts:

- 2x SG 8235 Side guide wire base short
- 2x SG 8237 Side guide wire holder
- 2x SG 8249 Side guide device
- 2x SG 10676 Device
- 2x SG 10686 Side guide end cover
- 2x SG 10706 Side guide wire \varnothing 1.3 mm x 2.6 m

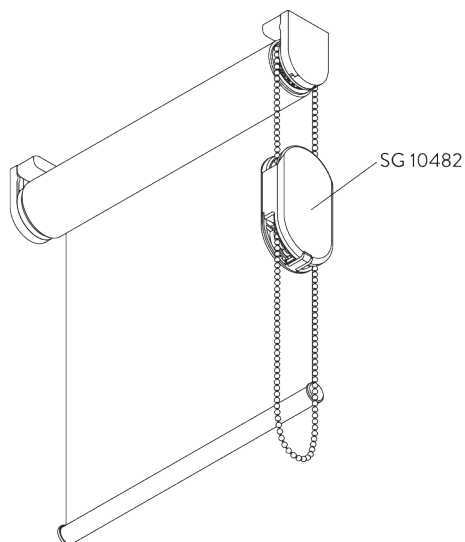
Optional parts:

- 2x SG 8236 Side guide wire base long
- 2x SG 10643 Side guide wire \varnothing 1.3 mm x 4.2 m
- 1x SG 10669 Side guide double base long
- 1x SG 10673 Side guide double base short
- 1x SG 10701 Side guide double wire holder

Note:

- Light gaps increase when side-guide option is used
- Up to 15° from vertical

C. CHILD SAFETY DEVICE



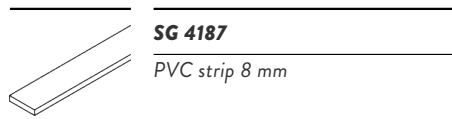
The child safety device SG 10482 releases the chain should the pulling force exceed 6 kg.

Note:

System to be installed so chain loop of child safety device ends at least 60 cm above floor.

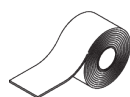
PARTS

A. STANDARD PARTS



SG 4187

PVC strip 8 mm



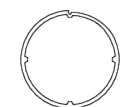
SG 4226

Double tape 30 mm



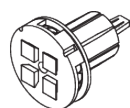
SG 10530

Bead chain metal ø 4 mm



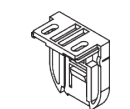
SG 10533

Tube ø 25 mm



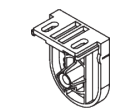
SG 10670

Chain drive, up to 1.3 kg fabric weight



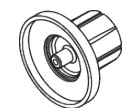
SG 10679

Bracket



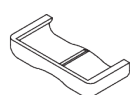
SG 10680

Bracket



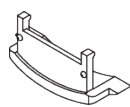
SG 10681

Tube adapter



SG 10683

Bracket cover



SG 10684

Cover



SG 10685

End cover



SG 10687

Bottom bar



SG 10709

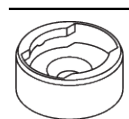
Chain stop for ø 4 mm chain



SG 10731

Child safety retainer set

B. OPTIONAL PARTS



SG 8235

Side guide wire base short



SG 8236

Side guide wire base long



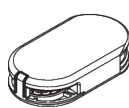
SG 8237

Side guide wire holder



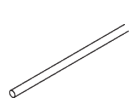
SG 8249

Side guide device



SG 10482

Child safety device set metal chain ø 4.0 mm



SG 10643

Side guide wire ø 1.3 mm x 4.2 m



SG 10669

Side guide double base long



SG 10673

Side guide double base short



SG 10676

Device



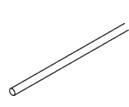
SG 10686

Side guide end cover



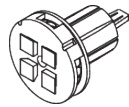
SG 10701

Side guide double wire holder



SG 10706

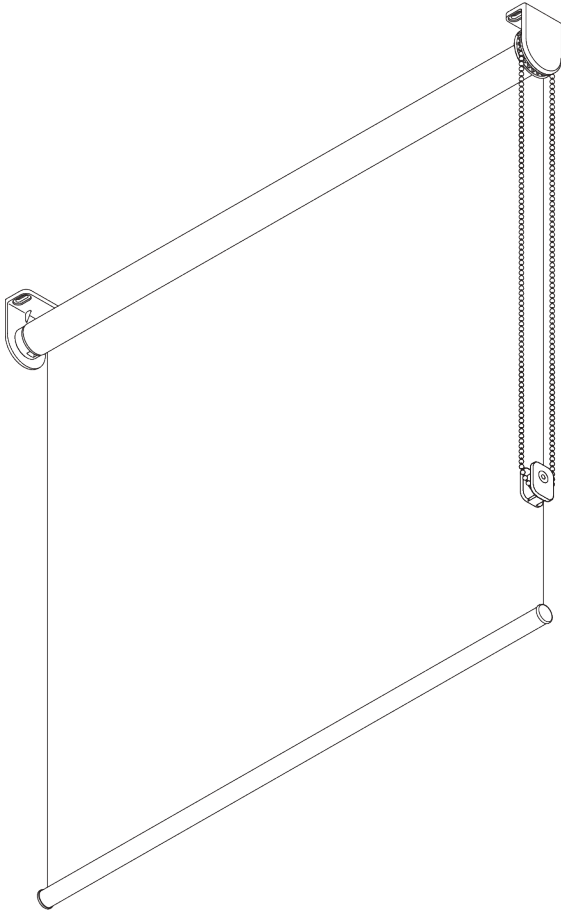
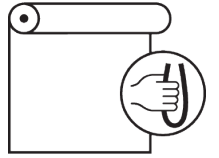
Side guide wire ø 1.3 mm x 2.6 m



SG 10710

Chain drive, up to 0.5 kg fabric weight

SG 4907



PRODUCT INFORMATION

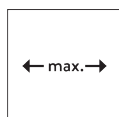
- **Operation:** chain
- **Range:** S
- **Fitting:** ceiling, wall, recess
- **Colours:** white RAL 9016 or grey RAL 7035, special colours possible
- **Fabrics:** refer to Silent Gliss fabric collection

Features:

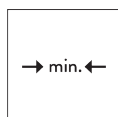
- Stainless steel bead chain
- Identical (left / right) metal click-in brackets
- Installation profile

SYSTEM SPECIFICATIONS

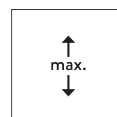
A. SYSTEM DIMENSIONS



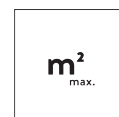
1.8 m



50 cm



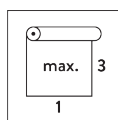
2.8 m



5 m²



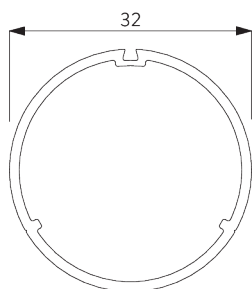
2.5 kg



Recommended width /
height ratio
max. 1:3

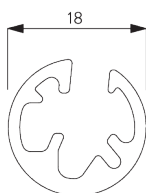
B. PROFILE

Profile information



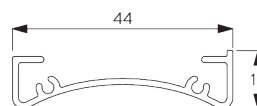
SG 4227

Tube ø 32 mm



SG 10872

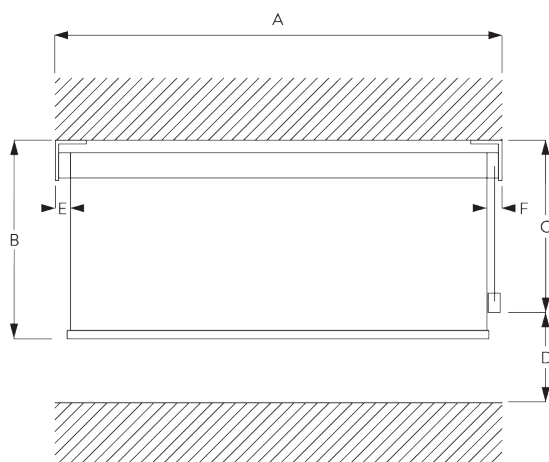
Bottom bar



SG 10534

Installation profile

C. HOW TO MEASURE



- A: System width
- B: System height
- C: Chain height
- D: Safety Retainer SG 10731 min. 150 cm above floor
- E: Light gap: 17 mm
- F: Light gap operation side: 17 mm

D. SPECIFICATION

TEXT

EN

Silent Gliss SG 4907 Chain Operated Roller Blind System. Roller blind system for blind applications up to 1.8 m wide. Supplied made to measure and complete comprising anodised aluminium barrel SG 4227. Fixed to wall / ceiling/inside recess with brackets SG 10873. Assembled with powder coated aluminium bottom weight bar SG 10872 in white / grey. Compliant to Child Safety legislation EN 13120. Fabric to be chosen from the Silent Gliss fabric range Basic Screen.

SV

Silent Gliss SG 4907 kedjemanövrerat rullgardinsystem. Rullgardinsystem för installationer upp till 1.8 m bredd. Levereras komplett i specificerat mått innefattande anodiserat rör SG 4227. Vägg/tak och nischmontering med fästen SG 10873. Monterad tyngdprofil i aluminium SG 10872 i vitt eller grått. Uppfyller barnsäkerhetsnormen EN 13120. Textil från Silent Gliss textilprogram Basic Screen.

NO

Silent Gliss SG 4907 Kjedefbetjent rullegardinsystem. Rullegardinsystem for maks. bredde på 1,8 meter. Leveres komplett på spesialmåll med anodisert rør integrert, SG 4227. Tak-,vegg- og nisjemontering med feste SG 10873. Montert tyngdeprofil i pulverlakkert aluminium SG 10872 i hvit eller grå. Oppfyller barnesikkerhetsnormen EN13120. Tekstil fra Silent Gliss kolleksjon Basic Screen.

DA

Silent Gliss SG 4907 gardinskinnesystem med kædestyring. Rullegardinsystemer til installationer med op til 1,8 m i bredden. Leveres i ønsket længde og samlet. Består af anodiseret aluminiumrør SG 4227. Fastgøres i væggen / loftet / indfældes med beslagene SG 10873. Monteret med pulverlakeret tyngdeprofil af aluminium SG 10872 i hvidt/gråt. Overholder lovgivning om børnesikkerhed efter EN 13120. Stoffet vælges fra Silent Gliss stofprogrammet Basic Screen.

FITTING

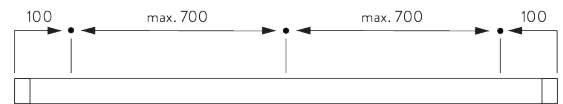
A. FITTING INFORMATION

For detailed fitting information, visit the [Silent Gliss website](#).

Fixing points

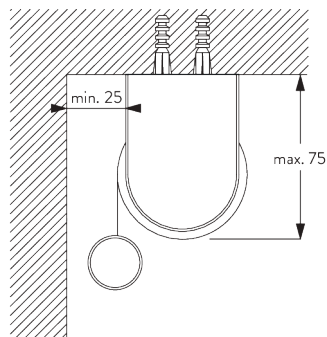


Brackets (wall / ceiling)

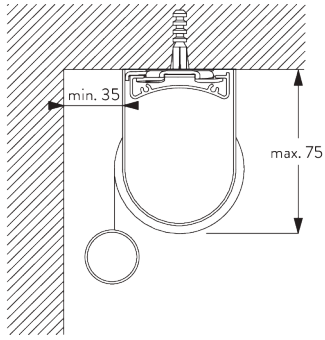


Installation profile SG 10534 (wall / ceiling)

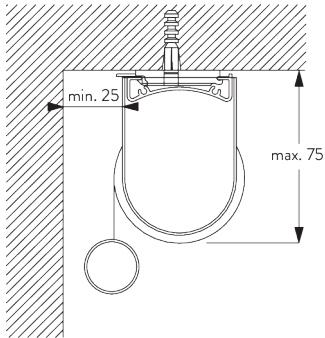
B. CEILING FITTING



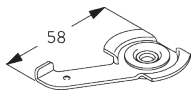
Brackets SG 10873



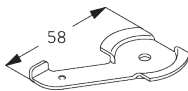
Installation profile SG 10534, brackets SG 1198 and clamps SG 3033 or SG 3044



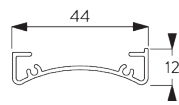
Installation profile SG 10534, brackets SG 1198 and click bracket SG 10539



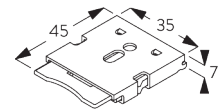
SG 3033
Clamp



SG 3044
Clamp



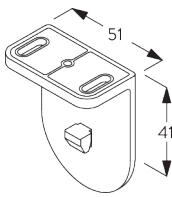
SG 10534
Installation profile



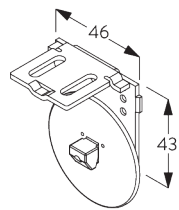
SG 10539
Bracket



SG 10574
Bracket cover

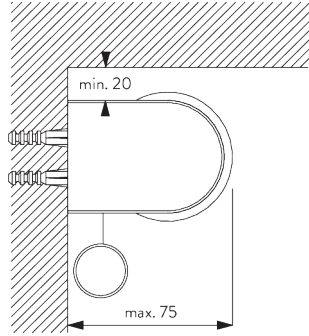


SG 10873
Bracket

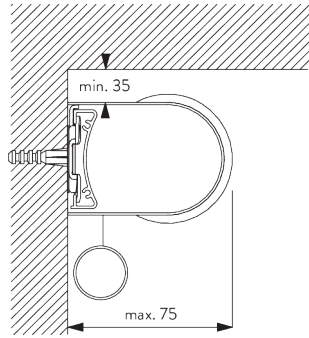


SG 1198
Bracket

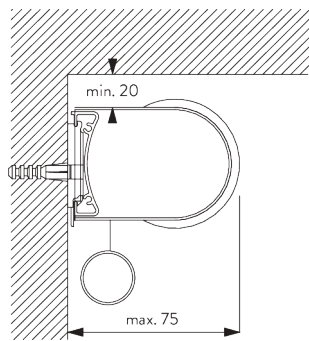
C. WALL FITTING



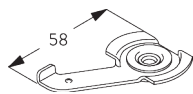
Brackets SG 10873



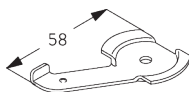
Installation profile SG 10534, brackets SG 11198 and clamps SG 3033 or SG 3044



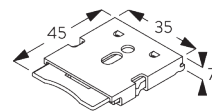
Installation profile SG 10534, brackets SG 11198 and click bracket SG 10539



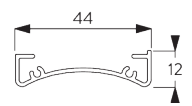
SG 3033
Clamp



SG 3044
Clamp



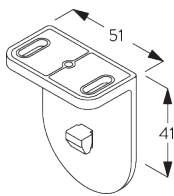
SG 10539
Bracket



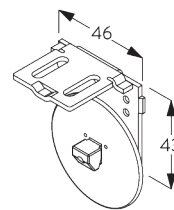
SG 10534
Installation profile



SG 10574
Bracket cover

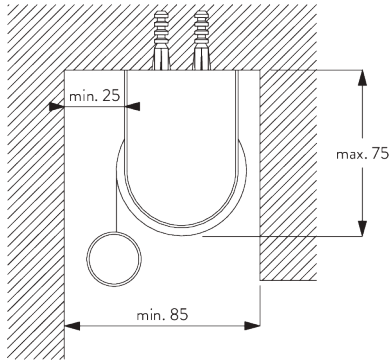


SG 10873
Bracket

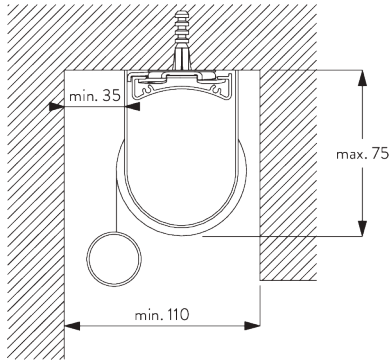


SG 11198
Bracket

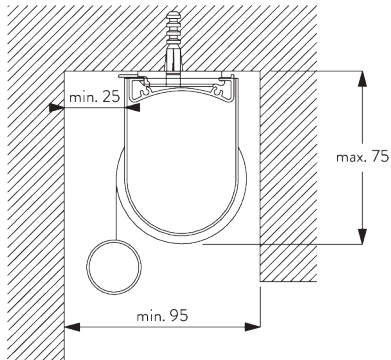
D. RECESS FITTING



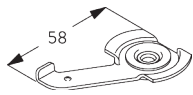
Brackets SG 10873



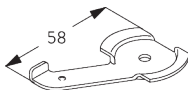
Installation profile SG 10534, brackets SG 11198 and clamps SG 3033 or SG 3044



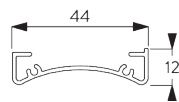
Installation profile SG 10534, brackets SG 11198 and click bracket SG 10539



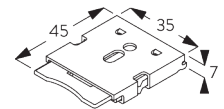
SG 3033
Clamp



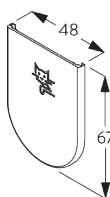
SG 3044
Clamp



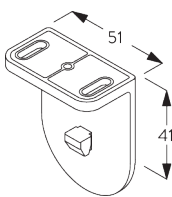
SG 10534
Installation profile



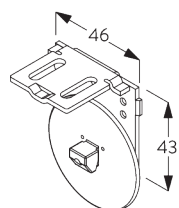
SG 10539
Bracket



SG 10574
Bracket cover



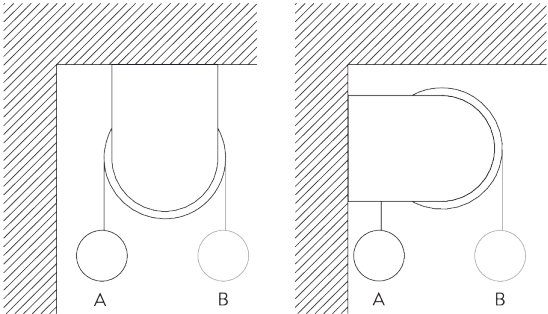
SG 10873
Bracket



SG 11198
Bracket

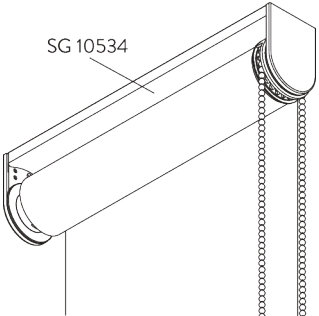
SYSTEM OPTIONS

A. FABRIC ROLL-OFF



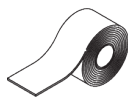
A: Fabric roll-off window side (standard)
B: Fabric roll-off room side (option)

B. INSTALLATION PROFILE



PARTS

A. STANDARD PARTS



SG 4226

Double tape 30 mm



SG 4227

Tube ø 32 mm



SG 4234

PVC strip 12 mm



SG 4845

Bead chain metal ø 4.5 mm



SG 10731

Child safety retainer set



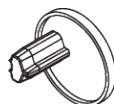
SG 10872

Bottom bar



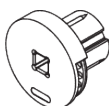
SG 10873

Bracket



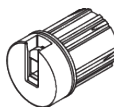
SG 10874

End cover



SG 10880

Chain drive



SG 10885

Tube adapter

B. OPTIONAL PARTS



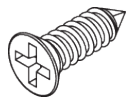
SG 3033

Clamp



SG 3044

Clamp



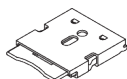
SG 10498

Countersunk screw 2.9x9.5



SG 10534

Installation profile



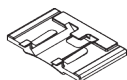
SG 10539

Bracket



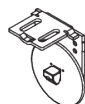
SG 10574

Bracket cover



SG 10690

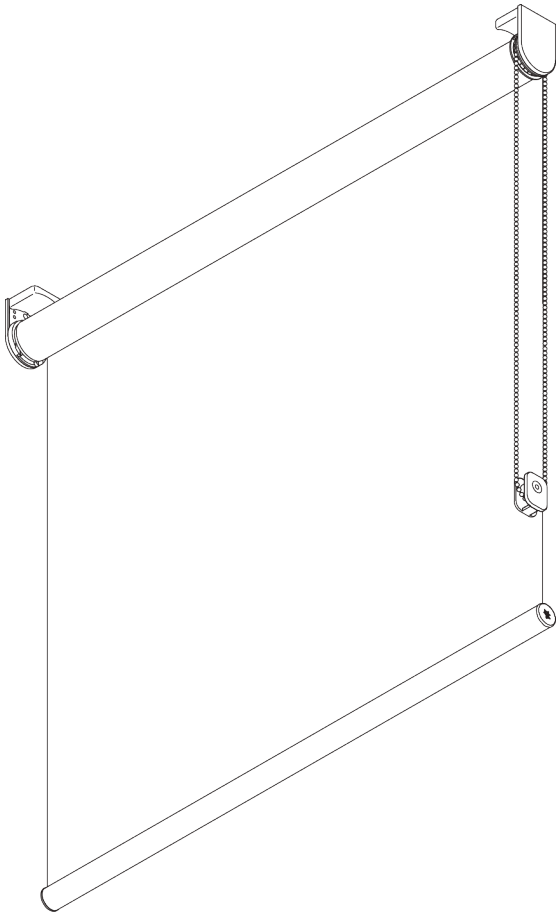
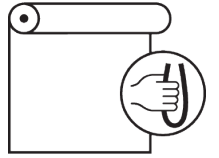
Spacer



SG 11198

Bracket

SG 4910



PRODUCT INFORMATION

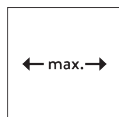
- **Operation:** chain
- **Range:** S - M
- **Fitting:** ceiling, wall, recess
- **Colours:** white RAL 9016, grey RAL 7035, black RAL 9005; special colours possible
- **Fabrics:** refer to Silent Gliss fabric collection

Features:

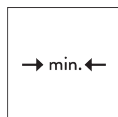
- Spring supported, effortless operation
- 1-to-1 gear drive
- Stainless steel bead chain
- Click-in brackets, Fascia, box, installation profile
- End stop controller

SYSTEM SPECIFICATIONS

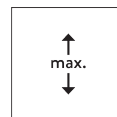
A. SYSTEM DIMENSIONS



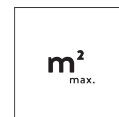
2.4 m



25 cm*,
Fascia / Box: 60 cm
*25 - 60 cm only with
installation profile
SG 10534



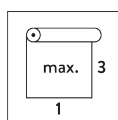
3 m



7.2 m²



3 kg



Recommended width /
height ratio
max. 1:3

Maximum system drop

Wall fitting (system drop on window side):

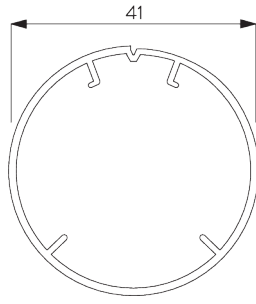
| | | | | | | | | | | | | | | | |
|------------------|----|------|------|------|------|------|------|------|------|------|------|------|------|------|------|
| Fabric thickness | mm | 0.15 | 0.20 | 0.25 | 0.30 | 0.35 | 0.40 | 0.45 | 0.50 | 0.55 | 0.60 | 0.65 | 0.70 | 0.75 | 0.80 |
| Max. system drop | cm | 300 | 300 | 300 | 300 | 300 | 300 | 300 | 300 | 300 | 290 | 270 | 250 | 230 | 220 |

Ceiling fitting / wall fitting (system drop on room side):

| | | | | | | | | | | | | | | | |
|------------------|----|------|------|------|------|------|------|------|------|------|------|------|------|------|------|
| Fabric thickness | mm | 0.15 | 0.20 | 0.25 | 0.30 | 0.35 | 0.40 | 0.45 | 0.50 | 0.55 | 0.60 | 0.65 | 0.70 | 0.75 | 0.80 |
| Max. system drop | cm | 300 | 300 | 300 | 300 | 300 | 300 | 300 | 300 | 300 | 300 | 300 | 300 | 300 | 280 |

B. PROFILE

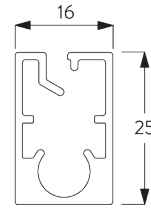
Profile information



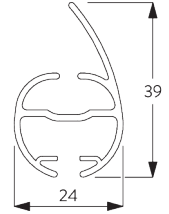
SG 10531
Tube ø 41 mm



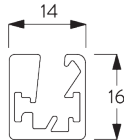
SG 10760
Bottom bar



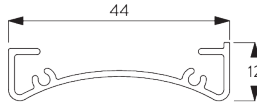
SG 10770
Bottom bar



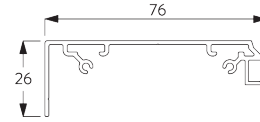
SG 4903
Bottom bar



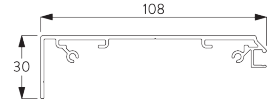
SG 11442
Bottom bar



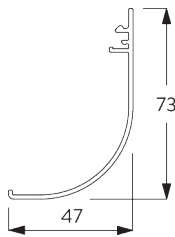
SG 10534
Installation profile



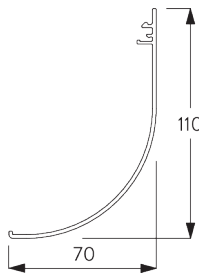
SG 11430
Installation profile fascia 73 mm



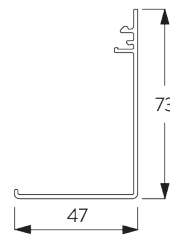
SG 11530
Installation profile fascia 110 mm



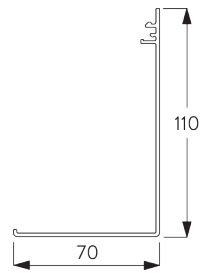
SG 11431
Fascia round 73 mm



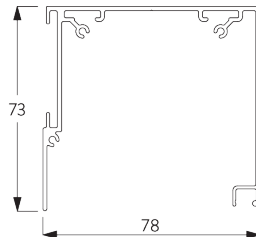
SG 11531
Fascia round 110 mm



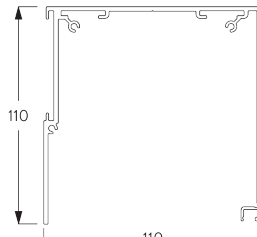
SG 11432
Fascia square 73 mm



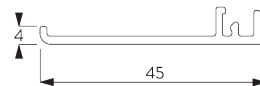
SG 11532
Fascia square 110 mm



SG 11433
Box case 73 mm



SG 11533
Box case 110 mm



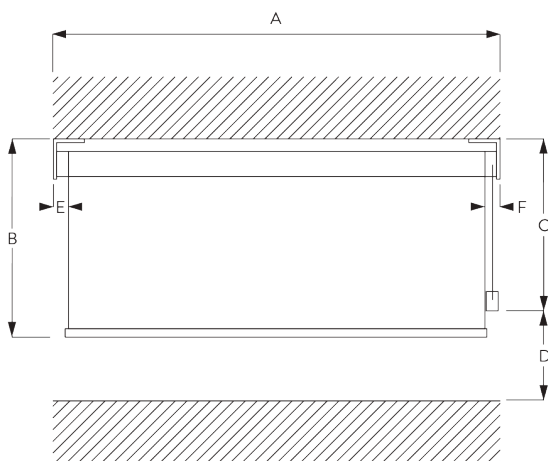
SG 11434
Box cover 73 mm



SG 11534
Box cover 110 mm

**C. HOW TO
MEASURE**

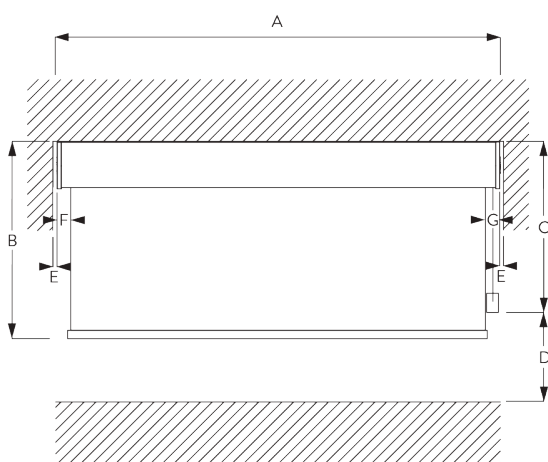
incl. bracket covers



- A: System width
- B: System height
- C: Chain height
- D: Safety Retainer SG 10731 min. 150 cm above floor
- E: Light gap: 13 mm
- F: Light gap operation side: 18 mm

Note:
All measurements include 2 mm for bracket cover per side!

Fascia / Box



- A: System width
- B: System height
- C: Chain height
- D: Safety Retainer SG 10731 min. 150 cm above floor
- E: Gap: min. 10 mm (when cover is used)
- F: Light gap: 15 mm
- G: Light gap operation side: 21 mm

D. SPECIFICATION

TEXT

EN

Silent Gliss SG 4910 Chain Operated Roller Blind System. Roller blind system for blind applications up to 2.4 m wide. Supplied made to measure and complete comprising anodised aluminium barrel SG 10531 with counterbalancing spring and gear set ensuring light, precise movement. Fixed to wall / ceiling/inside recess with brackets SG 10542 / SG 10543 and bracket covers SG 10574 / SG 10575. Optional installation profile SG 10534. Assembled with powder coated white, alu or black finish aluminium bottom weight bar SG 4221/10633/10634. Optional adjustable end stop SG 10559 / SG 10560 allows upper or lower stop limit setting. Compliant to Child Safety legislation EN 13120. Fabric to be chosen from the Silent Gliss fabric range, Price Group 1-4.

SV

Silent Gliss SG 4910 kedjemanövrerat rullgardinsystem. Rullgardinsystem för installationer upp till 2.4 m bredd. Levereras komplett i specificerat mått innefattande anodiserat rör SG 10531, 41 mm, med avancerad lyftfjäder och utväxling för att garantera lätt och steglös upp- och nerrullning. Vägg/tak och nischmontering med fästen SG 10542 / SG 10543 samt täckplattor SG 10574 / SG 10575. Alternativt med installationsprofil SG 10534. Monterad tyngdprofil i pulverlackerad aluminium i finish vitt/alu/svart med SG 4221/10633/10634). Som tillbehör justerbart ändstopp SG 10559 / SG 10560 som tillåter en övre eller nedre exakt stopposition. Uppfyller barnsäkerhetsnormen EN 13120. Textil från Silent Gliss textilprogram i prisgrupp 1-4.

NO

Silent Gliss SG 4910 Kjedefbetjent rullegardinsystem. Rullegardinsystem for maks. bredde på 2,4 meter. Leveres komplett på spesialmåll med anodisert rør integrert, SG10531,41mm, med en avansert integrert motvektsfjær og et girsett for å garantere lett og presis bevegelse ved opp- og nedrulling. Tak-,vegg- og nisjemontering med feste SG10542 /SG10543 og deksel SG10574 / SG10575. Tilvalg med monteringsprofil SG 10534. Monteret tyngdeprofil i pulverlakkert aluminium i hvit/alu/svart med SG 4221/10633/10634. Endestopp SG 10559 /SG10560 er tilbehør som kan sette en eksakt posisjon oppe og nede. Oppfyller barnesikkerhetsnormen EN13120. Tekstil fra Silent Gliss kolleksjon i prisgruppe 1-4.

DA

Silent Gliss SG 4910 gardinskinnesystem med kædestyring. Rullegardinsystemer til installationer med op til 2,4 m i bredden. Leveres samlet i ønsket længde, bestående af anodiseret aluminiumrør SG 10531 med modbalancerende sæt af fjeder og hjul, der sørger for lette, præcise bevægelser. Fastgøres i væggen / loftet / indfældes med beslagene SG 10542 / SG 10543 og beslagafdækningerne SG 10574 / SG 10575. Alternativt med installationsprofil SG 10534. Samlet med pulverlakeret hvid, aluminium eller sort finish tyngdeprofil af aluminium SG 4221/10633/10634. Valgfrit justerbart endestop SG 10559 / SG 10560 gør det muligt at indstille en øvre eller nedre stopgrænse. Overholder lovgivning om barnesikkerhed efter EN 13120. Stoffet vælges fra Silent Gliss stofprogrammet, prisgruppe 1-4

FITTING

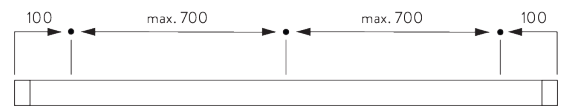
A. FITTING INFORMATION

Fixing points

For detailed fitting information, visit the Silent Gliss website.

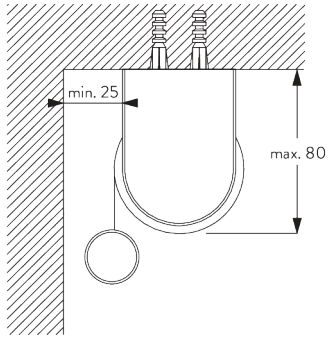


Brackets (wall / ceiling)

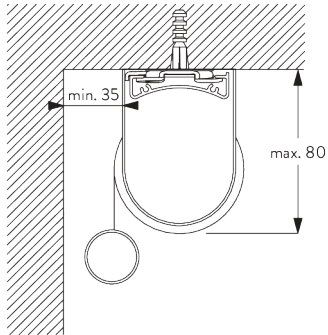


Fascia / box & installation profile SG 10534 (wall / ceiling)

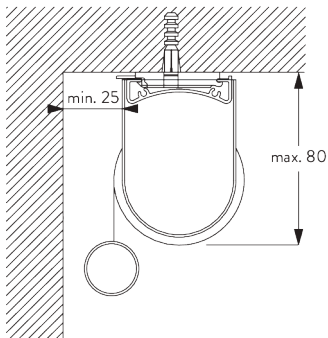
B. CEILING FITTING



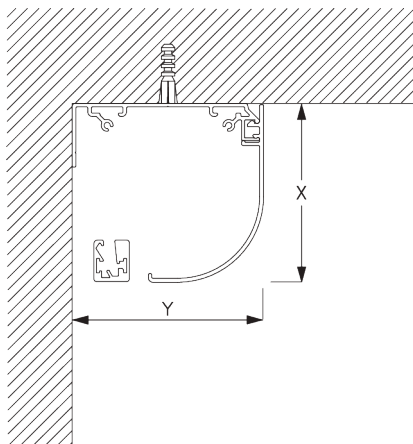
Brackets



Installation profile SG 10534 and clamps SG 3033 or SG 3044



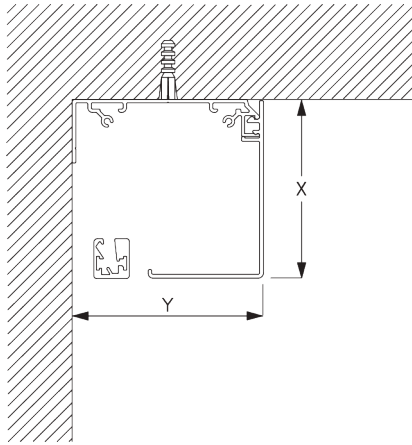
Installation profile SG 10534 and click bracket SG 10539



Fascia round

X = Fascia S 73 mm / Fascia L 110 mm

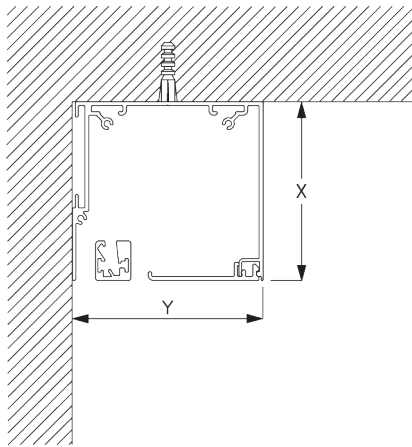
Y = Fascia S 78 mm / Fascia L 110 mm



Fascia square

X = Fascia S 73 mm / Fascia L 110 mm

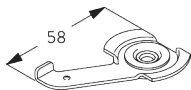
Y = Fascia S 78 mm / Fascia L 110 mm



Box

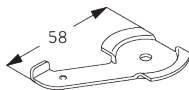
X = Box S 73 mm / Box L 110 mm

Y = Box S 78 mm / Box L 110 mm



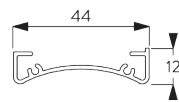
SG 3033

Clamp



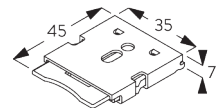
SG 3044

Clamp



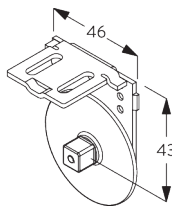
SG 10534

Installation profile



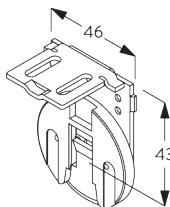
SG 10539

Bracket



SG 10542

Bracket



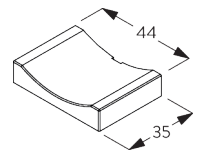
SG 10543

Bracket



SG 10574

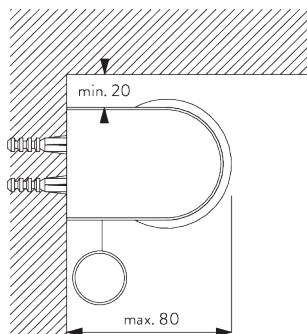
Bracket cover



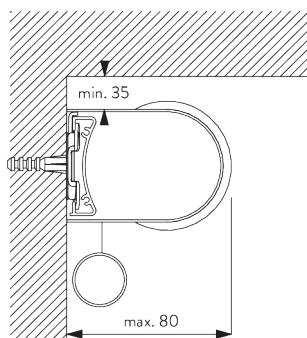
SG 10575

Bracket cover

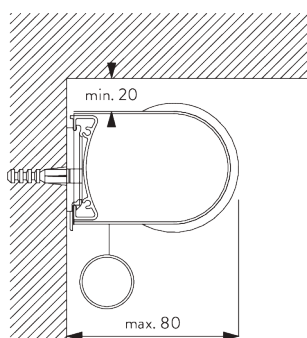
C. WALL FITTING



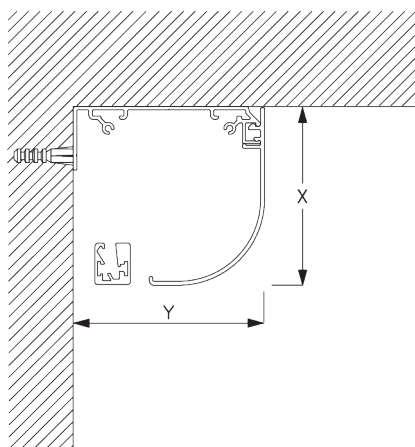
Brackets



Installation profile SG 10534 and clamps SG 3033 or SG 3044



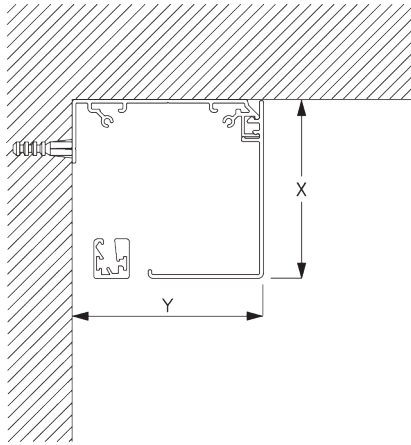
Installation profile SG 10534 and click bracket SG 10539



Fascia round

X = Fascia S 73 mm / Fascia L 110 mm

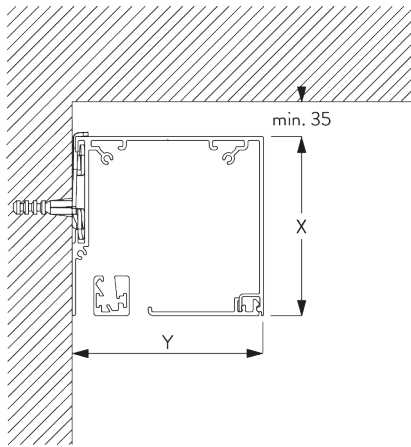
Y = Fascia S 78 mm / Fascia L 110 mm



Fascia square

X = Fascia S 73 mm / Fascia L 110 mm

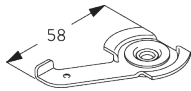
Y = Fascia S 78 mm / Fascia L 110 mm



Box S and clamp SG 3044 / Box L and clamp SG 1180

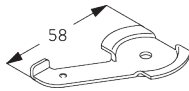
X = Box S 73 mm / Box L 110 mm

Y = Box S 78 mm / Box L 110 mm



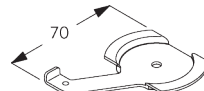
SG 3033

Clamp



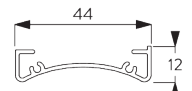
SG 3044

Clamp



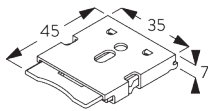
SG 1180

Clamp



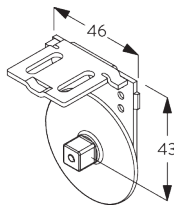
SG 10534

Installation profile



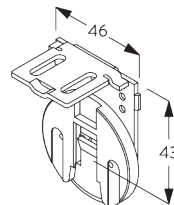
SG 10539

Bracket



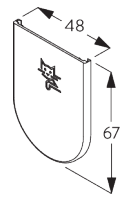
SG 10542

Bracket



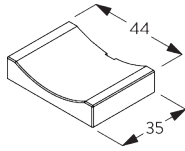
SG 10543

Bracket



SG 10574

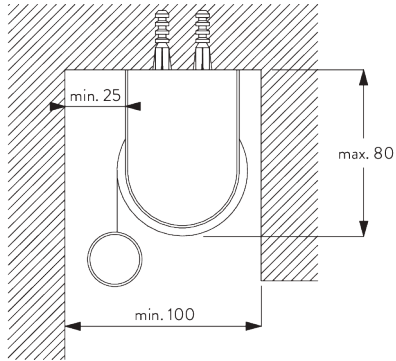
Bracket cover



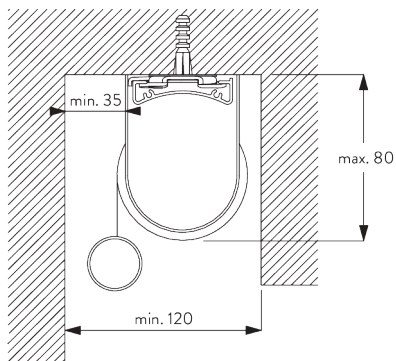
SG 10575

Bracket cover

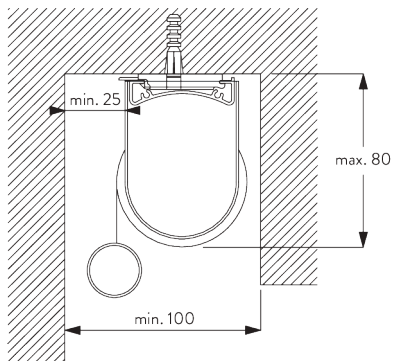
D. RECESS FITTING



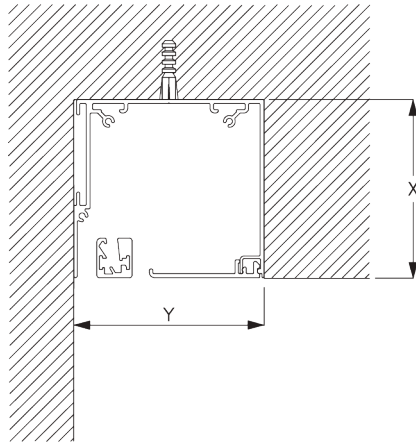
Brackets



Installation profile SG 10534 and clamps SG 3033 or SG 3044



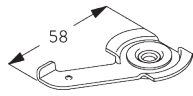
Installation profile SG 10534 and click bracket SG 10539



Box

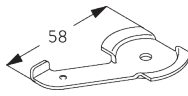
X = Box S 73 mm / Box L 110 mm

Y = Box S min. 79 mm / Box L min. 111 mm



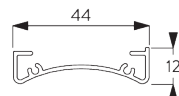
SG 3033

Clamp



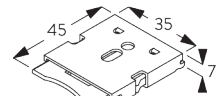
SG 3044

Clamp



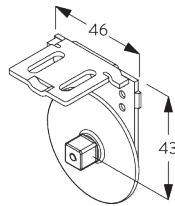
SG 10534

Installation profile



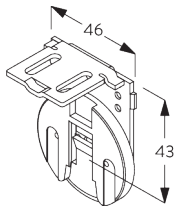
SG 10539

Bracket



SG 10542

Bracket



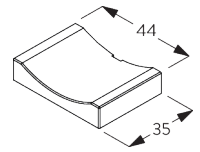
SG 10543

Bracket



SG 10574

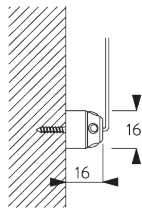
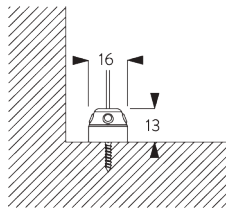
Bracket cover



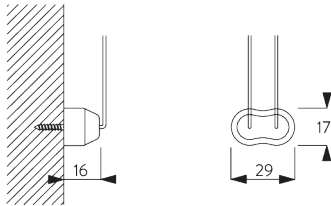
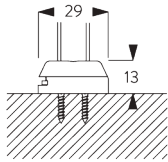
SG 10575

Bracket cover

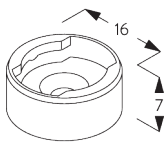
**E. FITTING WITH
SIDE GUIDE
OPTION**



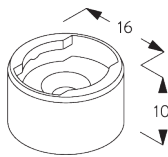
Single system



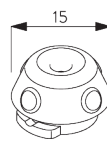
Double system (side-by-side installation)



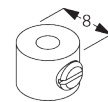
SG 8235
Side guide wire base short



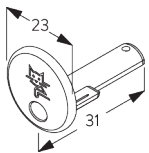
SG 8236
Side guide wire base long



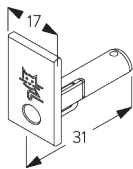
SG 8237
Side guide wire holder



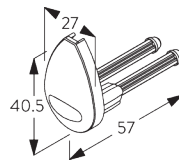
SG 8249
Side guide device



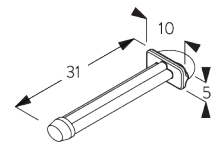
SG 10762
Side guide end cover



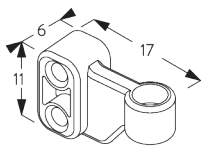
SG 10772
Side guide end cover



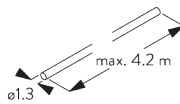
SG 4944
Side guide end cover



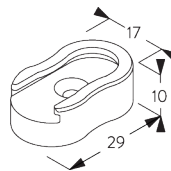
SG 10641
Side guide eyelet



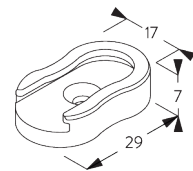
SG 10642
Side guide wire holder



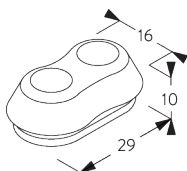
SG 10643
Side guide wire \varnothing 1.3 mm x 4.2 m



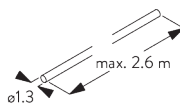
SG 10669
Side guide double base long



SG 10673
Side guide double base short



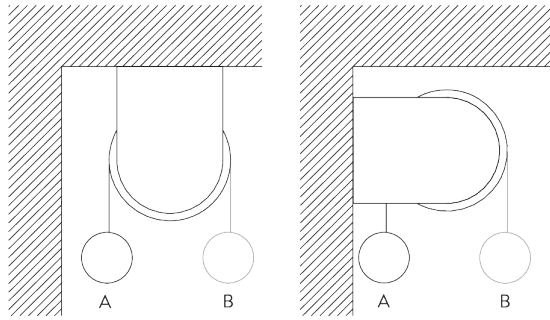
SG 10701
Side guide double wire holder



SG 10706
Side guide wire \varnothing 1.3 mm x 2.6 m

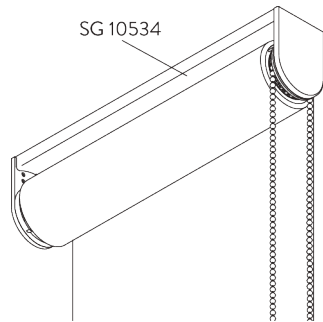
SYSTEM OPTIONS

A. FABRIC ROLL-OFF

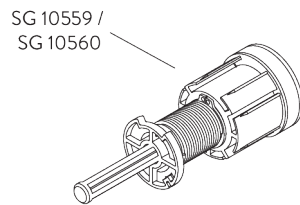


A: Fabric roll-off window side (standard)
B: Fabric roll-off room side (option)

B. INSTALLATION PROFILE

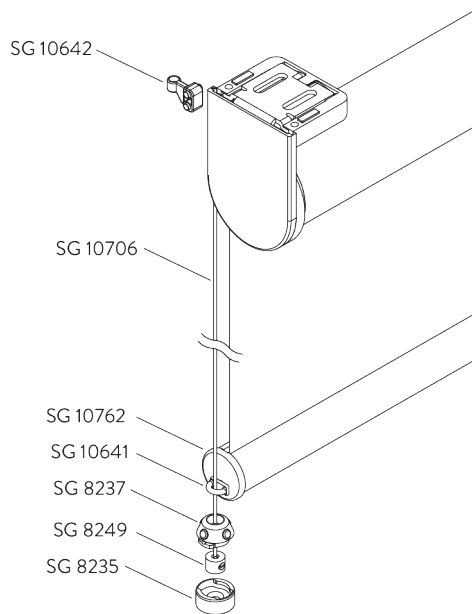


C. ADJUSTABLE END STOP



Setting of upper or lower end position.

D. SIDE GUIDES



Additional parts:

- 2x SG 8235 Side guide wire base short
- 2x SG 8237 Side guide wire holder
- 2x SG 8249 Side guide device
- 2x SG 10762 Side guide end cover round
- 2x SG 10641 Side guide eyelet
- 2x SG 10642 Side guide wire holder
- 2x SG 10706 Side guide wire \varnothing 1.3 mm x 2.6 m

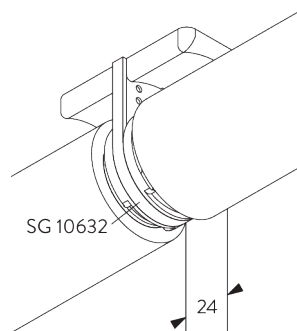
Optional parts:

- 2x SG 8236 Side guide wire base long
- 2x SG 10772 Side guide end cover square
- 2x SG 10643 Side guide wire \varnothing 1.3 mm x 4.2 m
- 1x SG 10669 Side guide double base long
- 1x SG 10673 Side guide double base short
- 1x SG 10701 Side guide double wire holder

Note:

- Light gaps increase when side-guide option is used
- Up to 15° from vertical

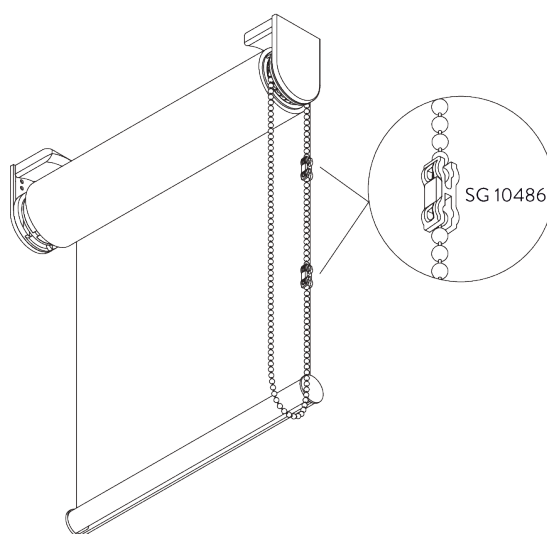
E. TWO SINGLE SYSTEMS SIDE-BY-SIDE



Additional parts:

- 1x SG 10632 Connection bracket cover

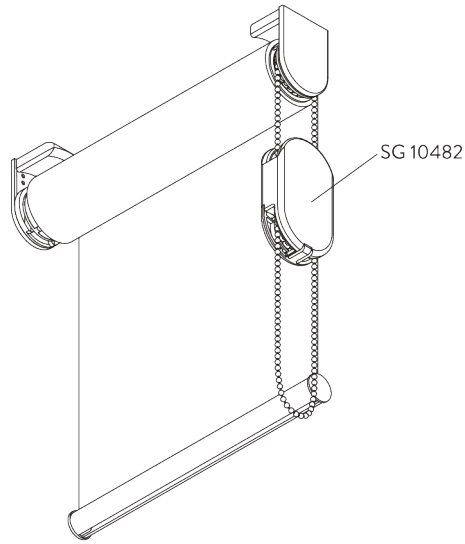
F. CHILD SAFETY



The chain break connector SG 10486 releases the chain should the pulling force exceed 6 kg.

Note:

- System to be installed so chain loop ends at least 60 cm above floor.

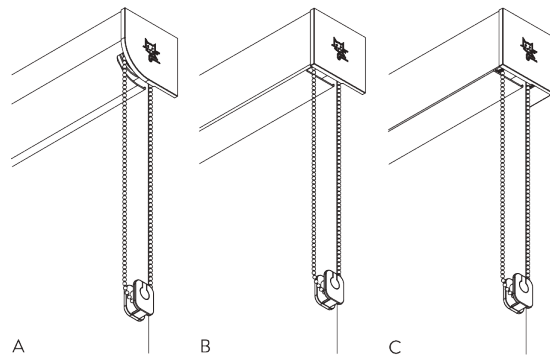


The child safety device SG 10482 releases the chain should the pulling force exceed 6 kg.

Note:

- System to be installed so chain loop of child safety device ends at least 60 cm above floor.

G. FASCIA / BOX



- A: Fascia round
- B: Fascia square
- C: Box

Size:

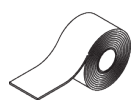
- S: 78 x 73 mm
- L: 110 x 110 mm

Note:

- Only applicable with bottom bar SG 11442

PARTS

A. STANDARD PARTS



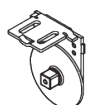
SG 4226
Double tape 30 mm



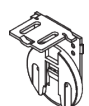
SG 10530
Bead chain metal ø 4 mm



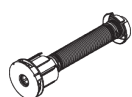
SG 10531
Tube ø 41 mm



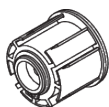
SG 10542
Bracket



SG 10543
Bracket



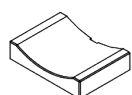
SG 10547
Spring C left, 641 mm



SG 10556
Tube adapter



SG 10574
Bracket cover



SG 10575
Bracket cover



SG 10668
PVC strip 10 mm



SG 10731
Child safety retainer set



SG 10760
Bottom bar



SG 10761
End cover

B. OPTIONAL PARTS



SG 3033
Clamp



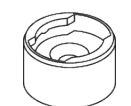
SG 3044
Clamp



SG 4903
Bottom bar



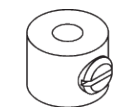
SG 8235
Side guide wire base short



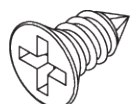
SG 8236
Side guide wire base long



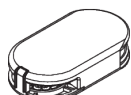
SG 8237
Side guide wire holder



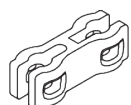
SG 8249
Side guide device



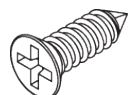
SG 10139
Countersunk screw 2.9x6.5



SG 10482
Child safety device set metal chain ø 4.0 mm



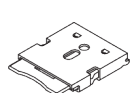
SG 10486
Child safety chain break connector set



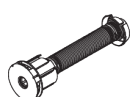
SG 10498
Countersunk screw 2.9x9.5



SG 10534
Installation profile



SG 10539
Bracket



SG 10545
Spring A left, 420 mm



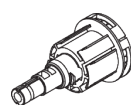
SG 10546
Spring B left, 487 mm



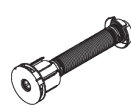
SG 10548
Spring D left, 721 mm



SG 10549
Spring E left, 824 mm



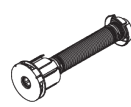
SG 10550
Chain drive



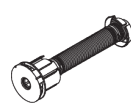
SG 10551
Spring A right, 420 mm



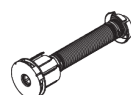
SG 10552
Spring B right, 487 mm



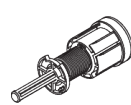
SG 10553
Spring C right, 641 mm



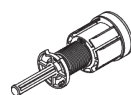
SG 10554
Spring D right, 721 mm



SG 10555
Spring E right, 824 mm



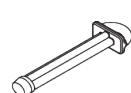
SG 10559
End stop left threads



SG 10560
End stop right threads



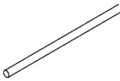



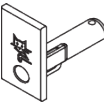



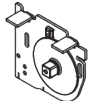
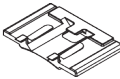

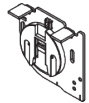

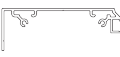
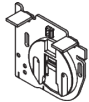






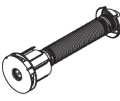
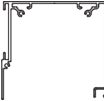



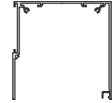



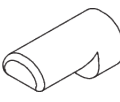


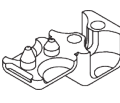


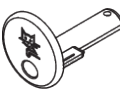

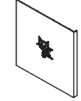



SG 10632
Connection bracket cover

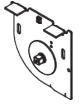


SG 10641
Side guide eyelet



SG 10642
Side guide wire holder

| | | | | | |
|---|---|---|--|---|---|
|  | SG 10643 Side guide wire \varnothing 1.3 mm x 4.2 m |  | SG 10771 End cover |  | SG 11443 End cover |
|  | SG 10669 Side guide double base long |  | SG 10772 Side guide end cover |  | SG 11446 Bracket left 73 mm |
|  | SG 10673 Side guide double base short |  | SG 11178 End cover |  | SG 11447 Bracket right 73 mm |
|  | SG 10690 Spacer |  | SG 11180 Clamp |  | SG 11448 Bracket left 73 mm |
|  | SG 10697 Spring F left, 921 mm |  | SG 11430 Installation profile fascia 73 mm |  | SG 11449 Bracket right 73 mm |
|  | SG 10698 Spring G left, 921 mm |  | SG 11431 Fascia round 73 mm |  | SG 11530 Installation profile fascia 110 mm |
|  | SG 10699 Spring F right, 921 mm |  | SG 11432 Fascia square 73 mm |  | SG 11531 Fascia round 110 mm |
|  | SG 10700 Spring G right, 921 mm |  | SG 11433 Box case 73 mm |  | SG 11532 Fascia square 110 mm |
|  | SG 10701 Side guide double wire holder |  | SG 11434 Box cover 73 mm |  | SG 11533 Box case 110 mm |
|  | SG 10706 Side guide wire \varnothing 1.3 mm x 2.6 m |  | SG 11437 Bracket cover round left 73 mm |  | SG 11534 Box cover 110 mm |
|  | SG 10707 End stop |  | SG 11438 Bracket cover round right 73 mm |  | SG 11537 Bracket cover round left 110 mm |
|  | SG 10709 Chain stop for \varnothing 4 mm chain |  | SG 11439 Bracket cover square left 73 mm |  | SG 11538 Bracket cover round right 110 mm |
|  | SG 10762 Side guide end cover |  | SG 11440 Bracket cover square right 73 mm |  | SG 11539 Bracket cover square left 110 mm |
|  | SG 10770 Bottom bar |  | SG 11442 Bottom bar |  | SG 11540 Bracket cover square right 110 mm |



SG 11546

Bracket left 110 mm



SG 11547

Bracket right 110 mm



SG 11548

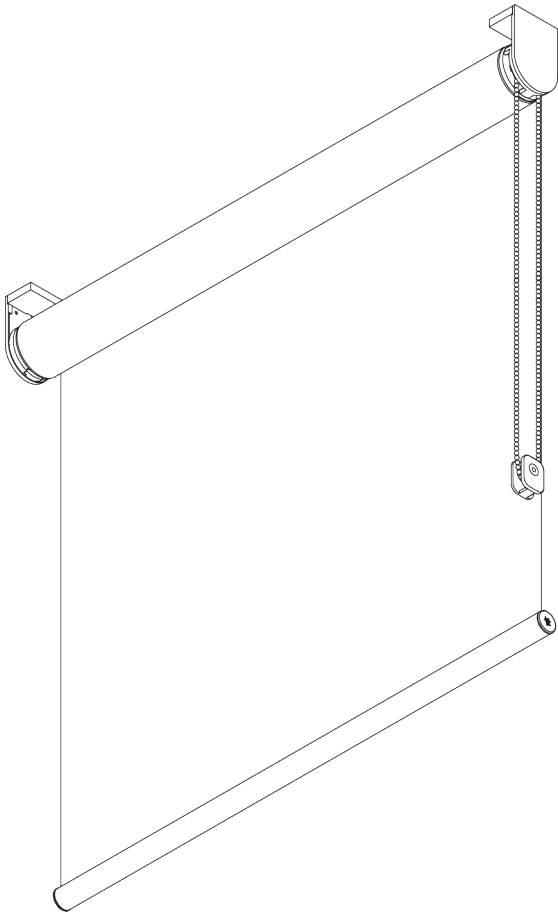
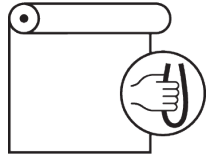
Bracket left 110 mm



SG 11549

Bracket right 110 mm

SG 4930



PRODUCT INFORMATION

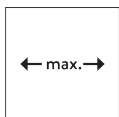
- **Operation:** chain
- **Range:** M - L
- **Fitting:** ceiling, wall, recess
- **Colours:** white RAL 9016, grey RAL 7035, black RAL 9005, special colours possible
- **Fabrics:** refer to Silent Gliss fabric collection

Features:

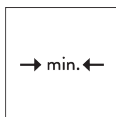
- 5-to-1 gear drive
- Stainless steel bead chain
- Two connected systems
- Click-in brackets
- Fascia, box, installation profile

SYSTEM SPECIFICATIONS

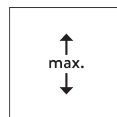
A. SYSTEM DIMENSIONS



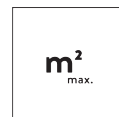
Single system: 3.4 m
Double system: 6.8 m



65 cm



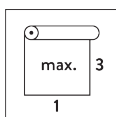
5 m



Single system: 17 m²
Double system: 30 m²



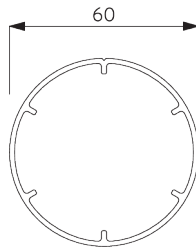
7 kg



Recommended width /
height ratio
max. 1:3

B. PROFILE

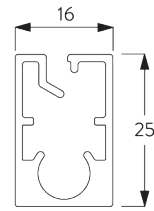
Profile information



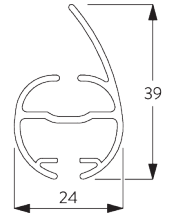
SG 11037
Tube ø 60 mm



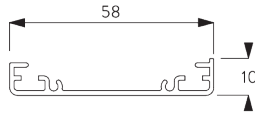
SG 10760
Bottom bar



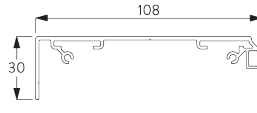
SG 10770
Bottom bar



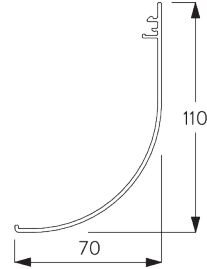
SG 4903
Bottom bar



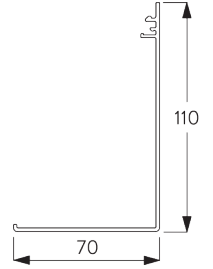
SG 11181
Installation profile



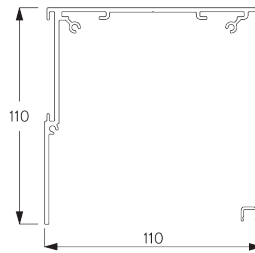
SG 11530
Installation profile fascia 110 mm



SG 11531
Fascia round 110 mm



SG 11532
Fascia square 110 mm



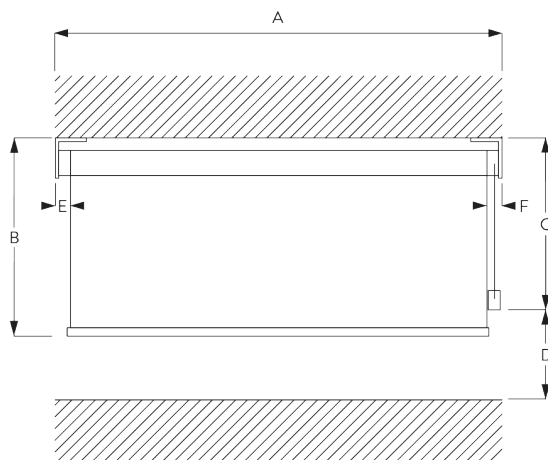
SG 11533
Box case 110 mm



SG 11534
Box cover 110 mm

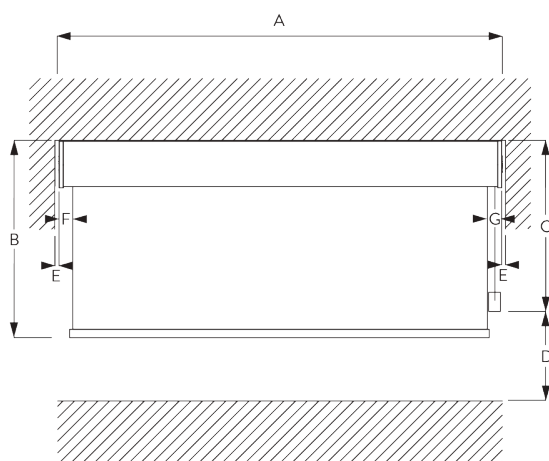
C. HOW TO MEASURE

incl. bracket covers



A: System width
B: System height
C: Chain height
D: Safety Retainer SG 10731 min. 150 cm above floor
E: Light gap: 18 mm
F: Light gap operation side: 25 mm

Note:
All measurements include 2 mm for bracket cover per side!



- A: System width
 B: System height
 C: Chain height
 D: Safety Retainer SG 10731 min. 150 cm above floor
 E: Gap: min. 10 mm (when cover is used)
 F: Light gap: 20 mm
 G: Light gap operation side: 27 mm

D. SPECIFICATION

TEXT

EN

Silent Gliss Chain Operated Roller Blind System SG 4930. Roller blind system for medium to large size blind applications up to 3.4m wide. Supplied made to measure and complete with barrel SG 11037, gear and integrated brake to ensure smooth operation and exact stop positions without slippage. Fixed to wall / ceiling / inside recess with SG 11172 / 11175 brackets with side cover SG 11173/11174 to ensure neat appearance. Brackets and hardware in white/grey/black finish. Optional installation profile SG 11181 for easy installation with clamps SG 11180. Optional side guide wires. Double system option can be operated simultaneously by a single chain fitted with SG 11183 connecting bolt. Bottom bar in white/grey/black SG 4903/10993. Compliant to Child Safety legislation EN 13120. Fabric to be chosen from the Silent Gliss fabric range, Price Group 1-4.

SV

Silent Gliss SG 4930 kedjemanövrerat rullgardinsystem. Rullgardinsystem för installationer upp till 3.4 m bredd. Levereras komplett i specificerat mått innefattande anodiserat rör SG 11037, 60 mm, med utväxling och broms för att garantera lätt och steglös upp- och nerrullning. Vägg/tak och nischmontering med fästen SG 11172 / SG 11175 samt täckplattor SG 11173/11174 i vitt/grått eller svart. Alternativt med installationsprofil SG 11181 som monteras med SG fästen 11180. Sidewire som tillbehör. Dubbelsystem för manövrering med 1 kulkedja via kopplingsbeslag SG 11183. Monterad tyngdprofil i aluminium i finish vitt/grått/svart med SG 4903/10993). Uppfyller barnsäkerhetsnormen EN 13120. Textil från Silent Gliss textilprogram i prisgrupp 1-4.

NO

Silent Gliss SG 4930 Kjedefbetjent rullegardinsystem. Rullegardinsystem for maks. bredde på 3,4 meter. Leveres komplett på spesialmål med anodisert rør integrert, SG11037, 60mm, med utveksling og brems for å garantere lett og trinnløs opp- og nedrulling. Tak-,vegg- og nisjemontering med feste SG11172 / SG11175 samt dekkplate SG 11173/11174 i hvit, grå eller svart. Alternativt monteringsprofil SG 11181 som monteres med feste SG 11180. Sidewire som tilbehør. Koblingsbeslag SG 11183 for betjening av dobbelt system med kulekjede. Montert tyngdeprofil i pulverlakkert aluminium i hvit/alu/svart med SG 4903/10993. Oppfyller barnesikkerhetsnormen EN13120. Tekstil fra Silent Gliss kolleksjon i prisgruppe 1-4.

DA

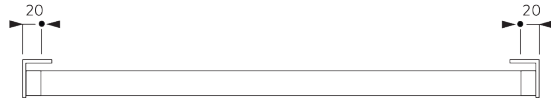
Silent Gliss rullegardinsystem med kædestyring SG 4930. Rullegardinsystem til mellem til store installationer med op til 3,4m bredde. Leveres i ønsket længde og komplet med aluminiumrør SG 11037, gear og integreret bremse, der sørger for trinløs betjening og nøjagtige stopstillinger uden glidning. Fastgøres i væggen / loftet / indfældes med beslagene SG 11172 / 11175 med sideafdækning SG 11173/11174, så det ser pænt ud. Beslag og armaturer i hvid/grå/sort finish. Alternativt med installationsprofil SG 11181 for nem installation med klemmerne SG 11180. Sidewirer som tilbehør. Valgfrit dobbelt system kan betjenes samtidigt med en enkelt kæde med en SG 11183 tilslutningsbolt. Tyngdeprofil i hvidt/gråt/sort SG 4903/10993. Overholder lovgivning om børnesikkerhed efter EN 13120. Stoffet vælges fra Silent Gliss stofprogrammet, prisgruppe 1-4.

FITTING

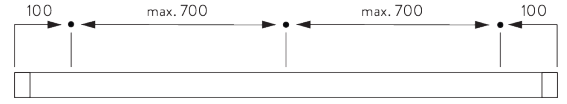
A. FITTING INFORMATION

For detailed fitting information, visit the Silent Gliss website.

Fixing points

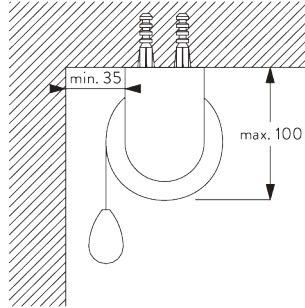


Brackets (wall / ceiling)

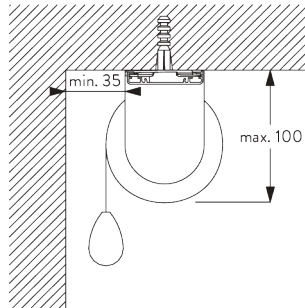


Fascia / box & installation profile SG 11181 (wall / ceiling)

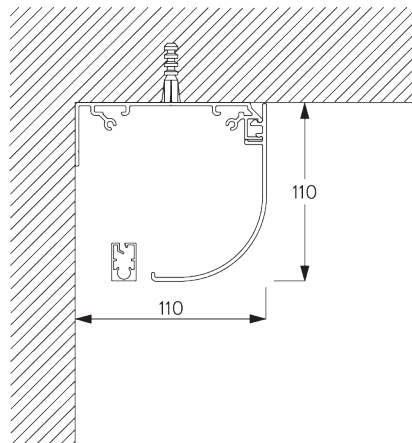
B. CEILING FITTING



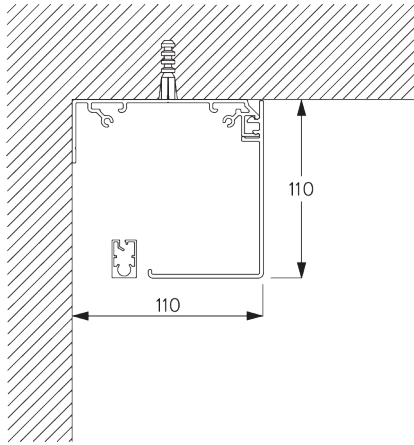
Brackets



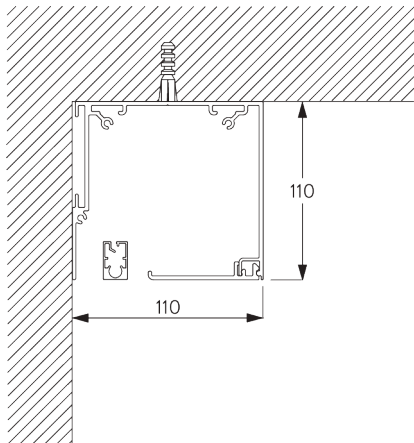
Installation profile SG 11181 and clamp SG 11180



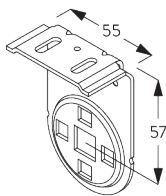
Fascia round



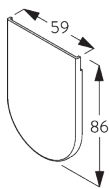
Fascia square



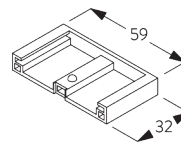
Box



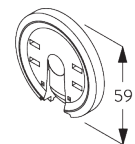
SG 11172
Bracket



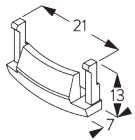
SG 11173
Bracket cover



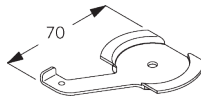
SG 11174
Bracket cover



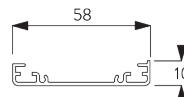
SG 11175
Click flange



SG 11179
Cover

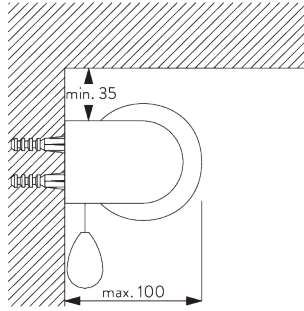


SG 11180
Clamp

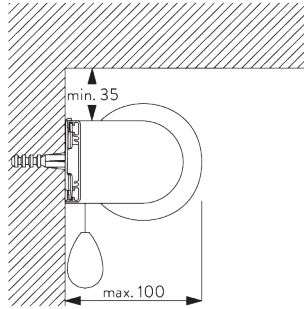


SG 11181
Installation profile

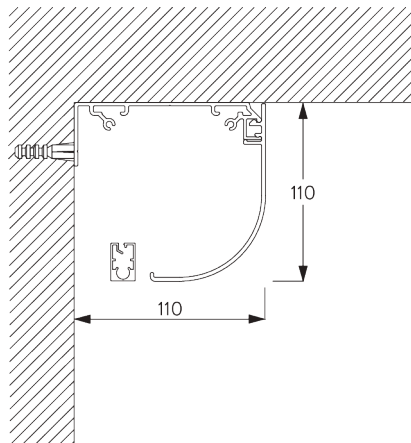
C. WALL FITTING



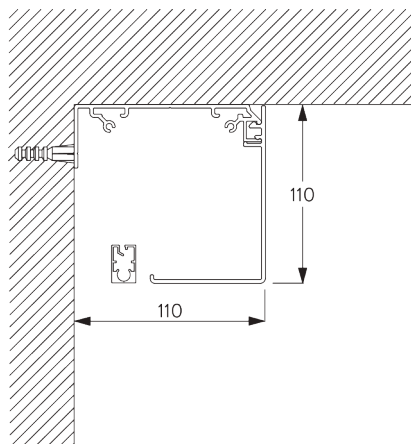
Brackets



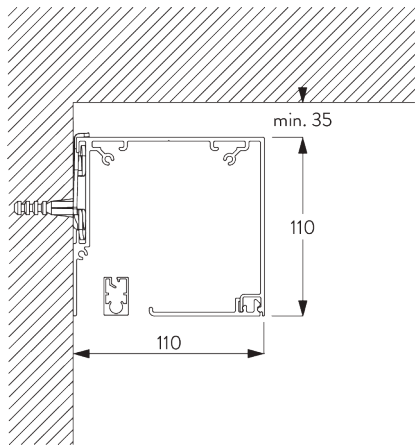
Installation profile SG 11181 and clamp SG 11180



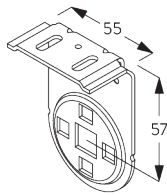
Fascia round



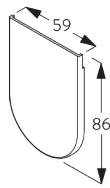
Fascia square



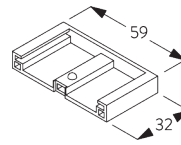
Box and clamp SG 11180



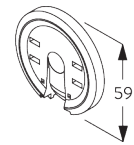
SG 11172
Bracket



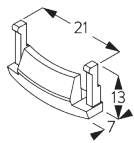
SG 11173
Bracket cover



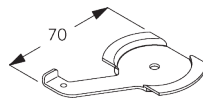
SG 11174
Bracket cover



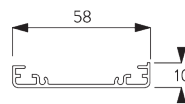
SG 11175
Click flange



SG 11179
Cover

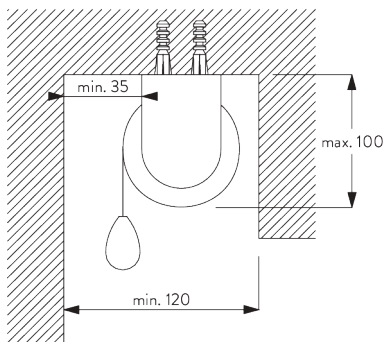


SG 11180
Clamp

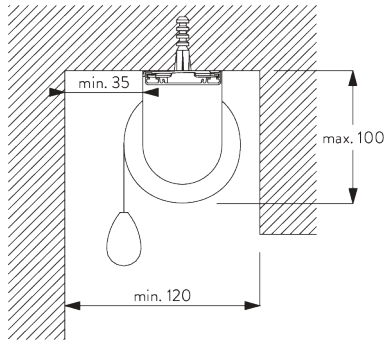


SG 11181
Installation profile

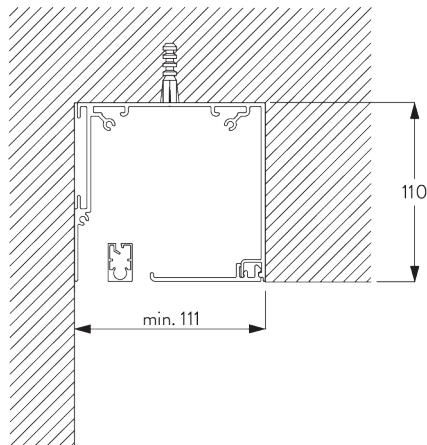
D. RECESS FITTING



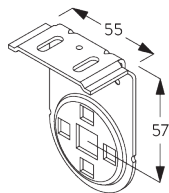
Brackets



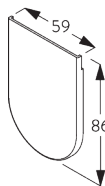
Installation profile SG 11181 and clamp SG 11180



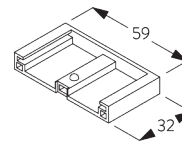
Box



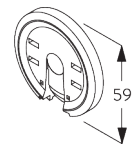
SG 11172
Bracket



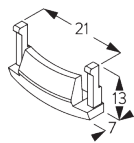
SG 11173
Bracket cover



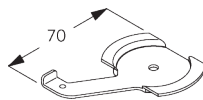
SG 11174
Bracket cover



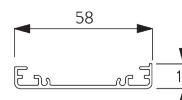
SG 11175
Click flange



SG 11179
Cover

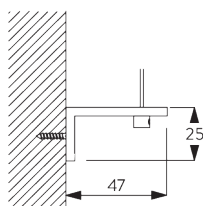


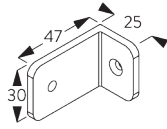
SG 11180
Clamp



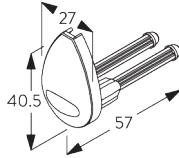
SG 11181
Installation profile

**E. FITTING WITH
SIDE GUIDE
OPTION**

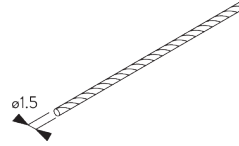




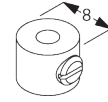
SG 3036
Bracket 47 mm



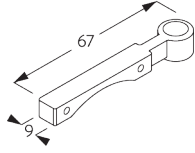
SG 4944
Side guide end cover



SG 4948
Side guide wire ø 1.5 mm



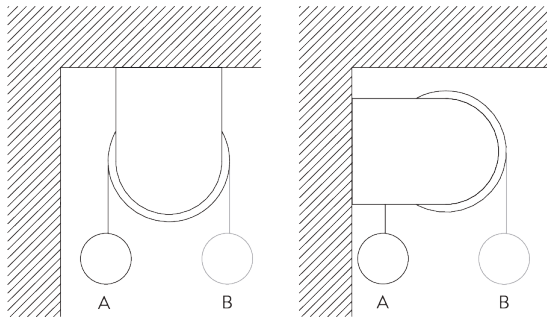
SG 8249
Side guide device



SG 1182
Side guide wire holder

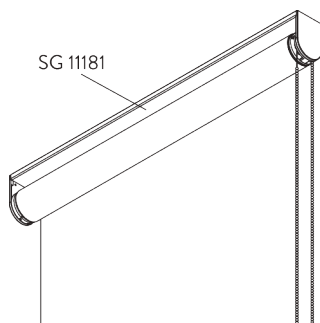
SYSTEM OPTIONS

A. FABRIC ROLL-OFF

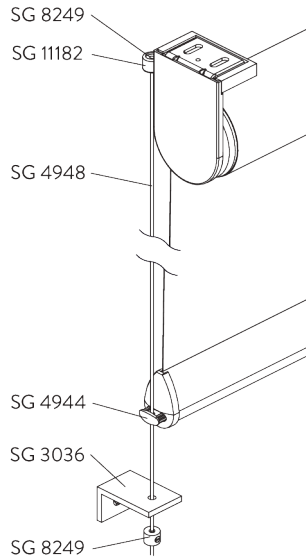


A: Fabric roll-off window side (standard)
B: Fabric roll-off room side (option)

B. INSTALLATION PROFILE



C. SIDE GUIDES



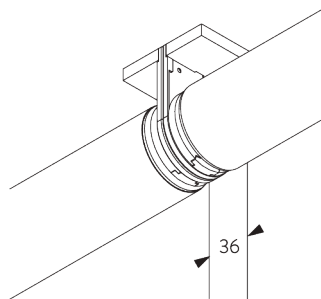
Additional parts:

- 2x SG 3036 Bracket
- 2x SG 4944 Side guide end cover
- 2x SG 4948 Side guide wire \varnothing 1.5 mm
- 4x SG 8249 Side guide device
- 2x SG 11182 Side guide wire holder

Note:

- Light gaps increase when side-guide option is used
- Up to 15° from vertical
- Only applicable with bottom bar SG 4903

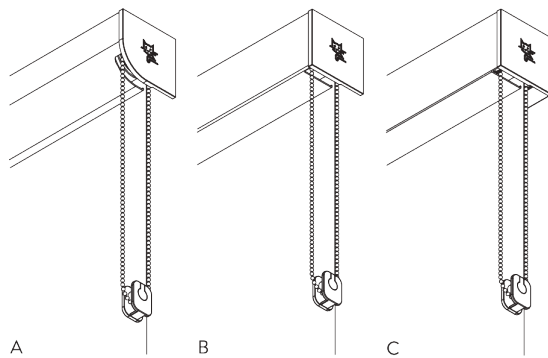
D. TWO CONNECTED SYSTEMS



Additional parts:

- 1x SG 11175 Click flange
- 1x SG 11183 Connecting bolt
- 2x SG 11184 Connection bracket cover
- 1x SG 11195 Connection tube adapter

E. FASCIA / BOX



A: Fascia round

B: Fascia square

C: Box

Size:


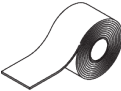






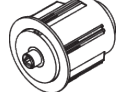

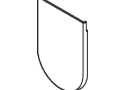
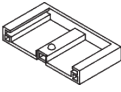

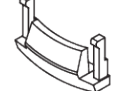
- 110 x 110 mm

Note:

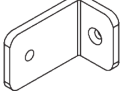

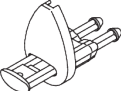


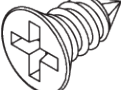
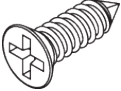
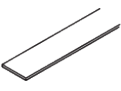
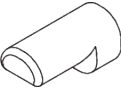
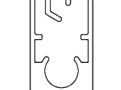
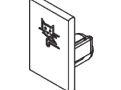

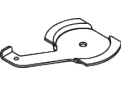
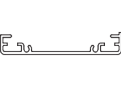
- Only applicable with bottom bar SG 10770
- Not possible with connected systems

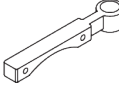
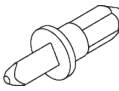
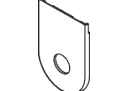
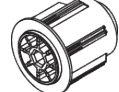
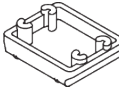
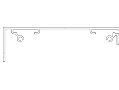






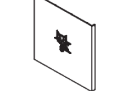
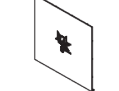
PARTS

A. STANDARD PARTS

| | |
|--|--|
|  | SG 4223 PVC strip 14 mm |
|  | SG 4226 Double tape 30 mm |
|  | SG 4845 Bead chain metal ø 4.5 mm |
|  | SG 10731 Child safety retainer set |
|  | SG 10760 Bottom bar |
|  | SG 10761 End cover |
|  | SG 10962 Chain drive |
|  | SG 11037 Tube ø 60 mm |
|  | SG 11165 Tube adapter |
|  | SG 11172 Bracket |
|  | SG 11173 Bracket cover |
|  | SG 11174 Bracket cover |
|  | SG 11175 Click flange |
|  | SG 11179 Cover |

B. OPTIONAL PARTS

| | |
|---|--|
|  | SG 3036 Bracket 47 mm |
|  | SG 4903 Bottom bar |
|  | SG 4944 Side guide end cover |
|  | SG 4948 Side guide wire ø 1.5 mm |
|  | SG 8249 Side guide device |
|  | SG 10139 Countersunk screw 2.9x6.5 |
|  | SG 10498 Countersunk screw 2.9x9.5 |
|  | SG 10668 PVC strip 10 mm |
|  | SG 10707 End stop |
|  | SG 10770 Bottom bar |
|  | SG 10771 End cover |
|  | SG 11178 End cover |
|  | SG 11180 Clamp |
|  | SG 11181 Installation profile |

| | |
|---|---|
|  | SG 11182 Side guide wire holder |
|  | SG 11183 Connection bolt |
|  | SG 11184 Connection bracket cover |
|  | SG 11195 Connection tube adapter |
|  | SG 11311 Bracket spacer |
|  | SG 11530 Installation profile fascia 110 mm |
|  | SG 11531 Fascia round 110 mm |
|  | SG 11532 Fascia square 110 mm |
|  | SG 11533 Box case 110 mm |
|  | SG 11534 Box cover 110 mm |
|  | SG 11537 Bracket cover round left 110 mm |
|  | SG 11538 Bracket cover round right 110 mm |
|  | SG 11539 Bracket cover square left 110 mm |
|  | SG 11540 Bracket cover square right 110 mm |



SG 11544

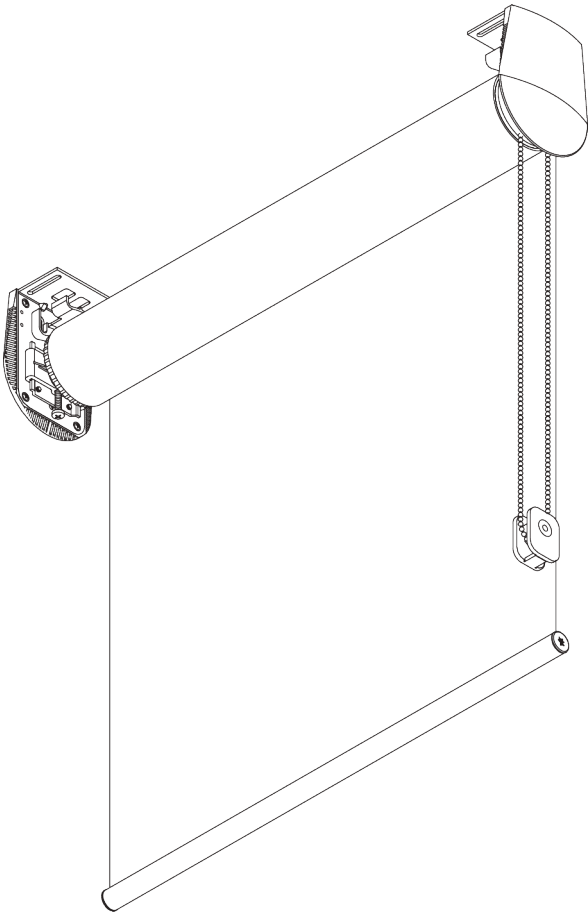
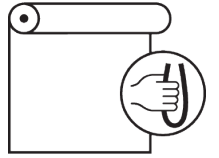
Bracket left 110 mm



SG 11545

Bracket right 110 mm

SG 4840



PRODUCT INFORMATION

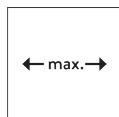
- **Operation:** chain
- **Range:** L
- **Fitting:** ceiling, wall, recess
- **Colours:** white RAL 9016 or anodised aluminum, special colours possible
- **Fabrics:** refer to Silent Gliss fabric collection

Features:

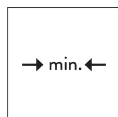
- Stainless steel bead chain
- Stainless steel brackets, adjustable for vertical alignment of fabric

SYSTEM SPECIFICATIONS

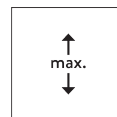
A. SYSTEM DIMENSIONS



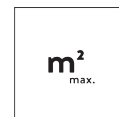
Tube SG 4957: 5 m
Tube SG 4901: 4 m



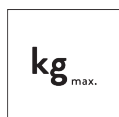
50 cm



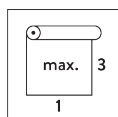
Tube SG 4957: 3.75 m
Tube SG 4901: 6 m



15 m²


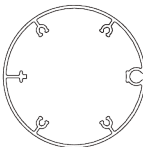


Tube SG 4957: 9.5 kg
Tube SG 4901: 12.5 kg



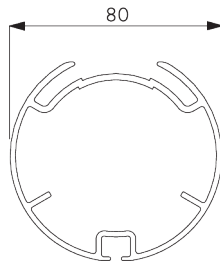
Recommended width /
height ratio
max. 1:3

Maximum surface area

| | | A → | | | | | | | | |
|-----|-------|-----|-------|-----|------------------------|-----|-------|-----|---|--|
| | | 2 m | 2.5 m | 3 m | 3.5 m | 4 m | 4.5 m | 5 m | | |
| B ↓ | 2 m | ● | ● | ● | ● | ○ | ○ | ○ |  ● SG 4901 (ø 80 mm) | |
| | 2.5 m | ● | ● | ● | ● | ○ | ○ | ○ | | |
| | 3 m | ● | ● | ● | ● | ○ | ○ | ○ |  ○ SG 4957 (ø 110 mm) | |
| | 3.5 m | ● | ● | ● | ● | ○ | | | | |
| | 4 m | ● | ● | ● | ● | | | | | |
| | 4.5 m | ● | ● | ● | | | | | | |
| | 5 m | ● | ● | ● | | | | | | |
| | 5.5 m | ● | ● | | max. 15 m ² | | | | | |
| 6 m | ● | ● | | | | | | | | |

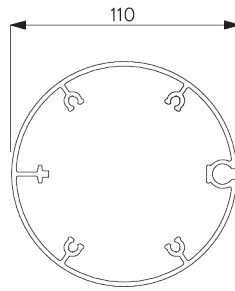
B. PROFILE

Profile information



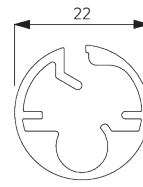
SG 4901

Tube ø 80 mm



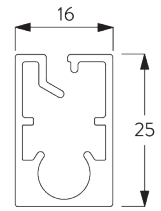
SG 4957

Tube ø 110 mm



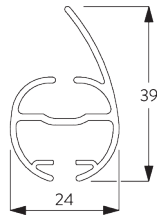
SG 10760

Bottom bar



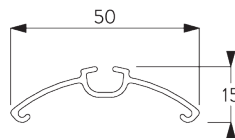
SG 10770

Bottom bar



SG 4903

Bottom bar

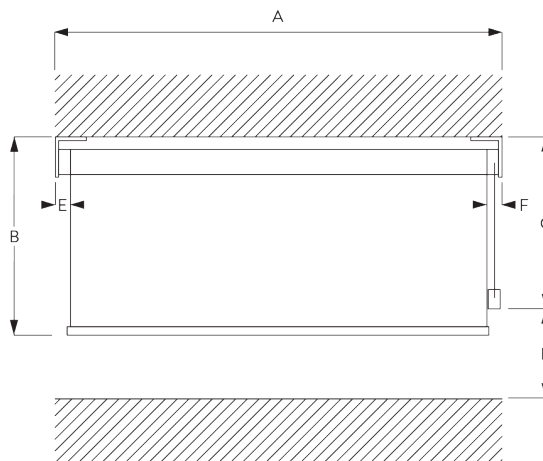


SG 4902

Profile

C. HOW TO MEASURE

incl. bracket covers
(15 mm)



A: System width

B: System height

C: Chain height

D: Safety Retainer SG 10731 min. 150 cm above floor

Tube SG 4901 (ø 80 mm):

E: Light gap: 44 mm

F: Light gap operation side: 40 mm

Tube SG 4957 (ø 110 mm):

E: Light gap: 42 mm

F: Light gap operation side: 42 mm

Note:

All measurements include 15 mm for bracket cover per side!

D. SPECIFICATION

TEXT

EN

Silent Gliss SG 4840 Chain Operated Roller Blind System. Roller blind system for heavy and large size blind applications up to 5m wide. Supplied made to measure and complete comprising anodised aluminium barrel SG 4901 (80mm tube) / SG 4957 (110mm tube) and stainless steel bracket combination set SG 4949. Fix to wall / ceiling / inside recess. Incorporating Silent Gliss patented Quick Twist SG 4902 for easy on-site adjustment of the fabric roll up (80mm tube only). Assembled with powder coated white finish aluminium bottom weight bar SG 4903. Compliant to Child Safety legislation EN 13120. Fabric to be chosen from the Silent Gliss fabric range, Price Group 1-4.

SV

Silent Gliss SG 4840 kedjemanövrerat rullgardinsystem. Rullgardinsystem för installationer upp till 5 m bredd. Levereras komplett i specificerat mått innefattande anodiserat rör SG 4901, 80 mm / SG 4957, 110 mm. Väggtak och nischmontering med fästet set SG 4949. Inkl. Silent Gliss patenterad funktion Quick Twist SG 4902 för enkel justering på av upprulling på 80 mm tub. Sidewire som tillbehör. Monterad pulverlackerad tyngdprofil i aluminium i finish vitt/alu SG 4903. Uppfyller barnsäkerhetsnormen EN 13120. Textil från Silent Gliss textilprogram i prisgrupp 1-4.

NO

Silent Gliss SG 4840 Kjedefbetjent rullegardinsystem. Rullegardinsystem for maks. bredde på 5 meter. Leveres komplett på spesialmål med anodisert rør integrert, SG 4901, 80mm/ SG4957, 110mm. Tak-,vegg- og nisjemontering med festesett 4949. Inkl. Silent Gliss patenterte funksjon Quick Twist SG 4902 for enklere justering av opprulling av tekstilet på stedet (kun 80 mm rør). Sidewire er tilbehør. Monteret tyngdeprofil i pulverlakkert aluminium i hvit/ eller alu finish SG4903. Oppfyller barnesikkerhetsnormen EN13120. Tekstil fra Silent Gliss kolleksjon i prisgruppe 1-4.

DA

Silent Gliss SG 4840 gardinskinnesystem med kædestyring. Rullegardinsystem til tunge og store installationer med op til 5 m bredde. Leveres i ønsket længde og samlet, bestående af anodiseret aluminiumrør SG 4901 (80 mm rør) / SG 4957 (110 mm rør) og beslag af rustfrit stål, kombinationssæt SG 4949. Fastgjort til væg / loft / indfældet. Bruger det Silent Gliss patenterede Quick Twist SG 4902, så stofrullen nemt kan justeres på stedet (kun for 80 mm rør). Monteret med hvid pulverlakeret tyngdeprofil af aluminium SG 4903. Overholder lovgivning om børnesikkerhed efter EN 13120. Stoffet vælges fra Silent Gliss stofprogrammet, prisgruppe 1-4.

FITTING

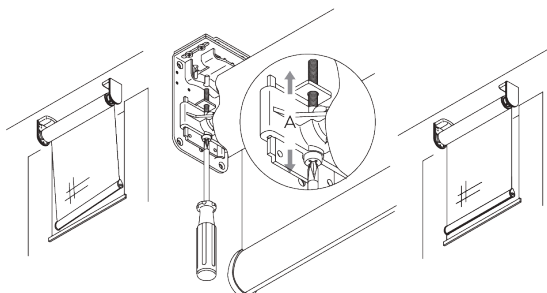
A. FITTING INFORMATION

Fixing points



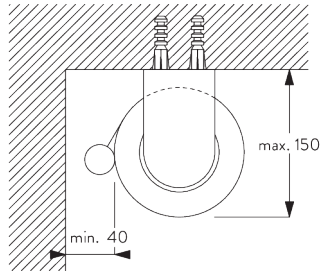
*30 mm without cover
*43 mm with cover

Adjustable brackets (for vertical adjustments)

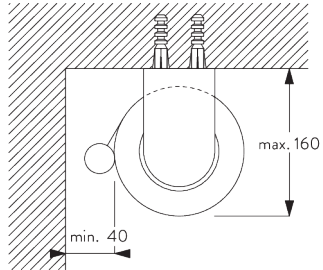


Vertical adjustment of fabric to the window frame.

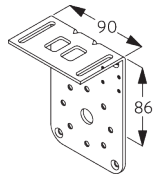
B. CEILING FITTING



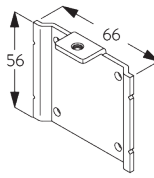
Tube SG 4901 (ø 80 mm)



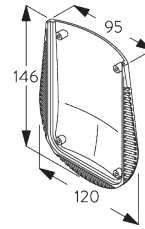
Tube SG 4957 (ø 110 mm)



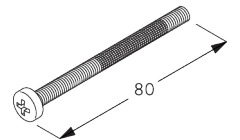
SG 4904
Bracket (set SG 4949)



SG 4906
Plate (set SG 4949)

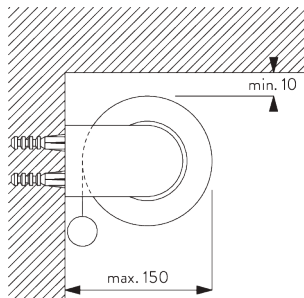


SG 4956
Bracket cover

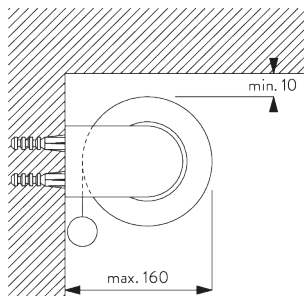


SG 4966
Special screw (set SG 4949)

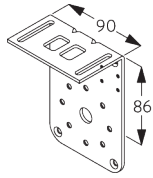
C. WALL FITTING



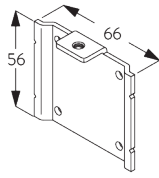
Tube SG 4901 (ø 80 mm)



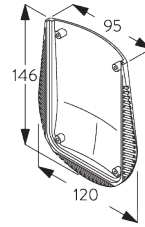
Tube SG 4957 (ø 110 mm)



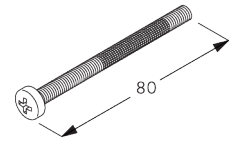
SG 4904
Bracket (set SG 4949)



SG 4906
Plate (set SG 4949)

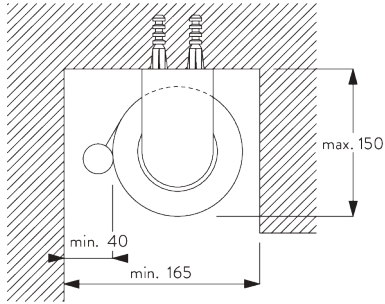


SG 4956
Bracket cover

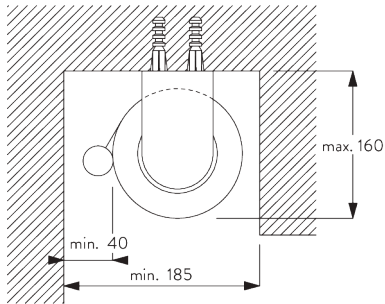


SG 4966
Special screw (set SG 4949)

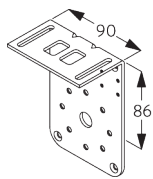
D. RECESS FITTING



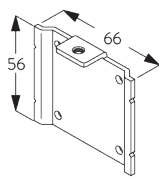
Tube SG 4901 (ø 80 mm)



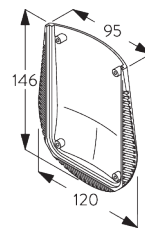
Tube SG 4957 (ø 110 mm)



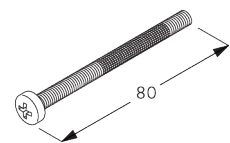
SG 4904
Bracket (set SG 4949)



SG 4906
Plate (set SG 4949)

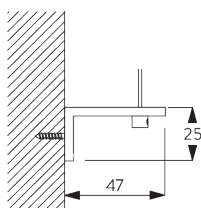


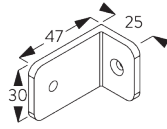
SG 4956
Bracket cover



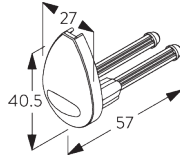
SG 4966
Special screw (set SG 4949)

E. FITTING WITH SIDE GUIDE OPTION

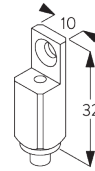




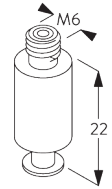
SG 3036
Bracket 47 mm



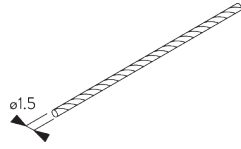
SG 4944
Side guide end cover



SG 4946
Side guide wire rope fastener



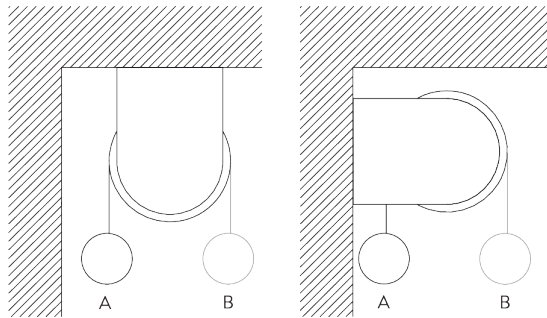
SG 4947
Side guide wire rope fastener



SG 4948
Side guide wire \varnothing 1.5 mm

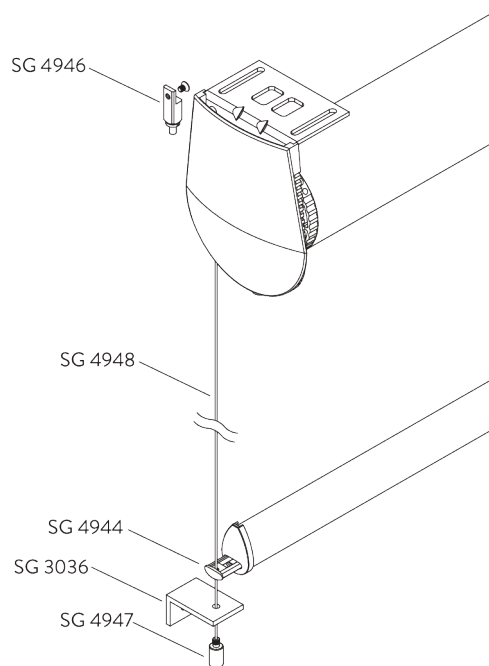
SYSTEM OPTIONS

A. FABRIC ROLL-OFF



A: Fabric roll-off window side (standard)
B: Fabric roll-off room side (option)

B. SIDE GUIDES



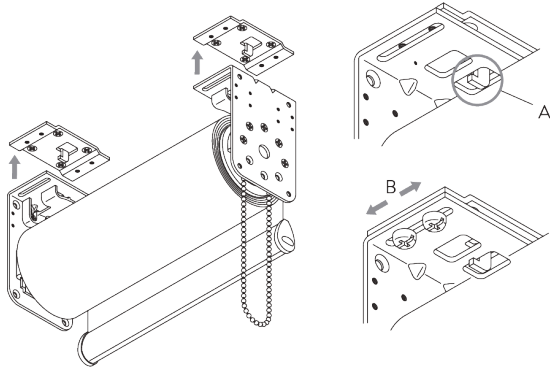
Additional parts:

- 2x SG 3036 Bracket 47 mm
- 2x SG 4944 Side guide end cover
- 2x SG 4946 Side guide wire rope fastener
- 2x SG 4947 Side guide wire rope fastener
- 2x SG 4948 Side guide wire \varnothing 1.5 mm

Note:

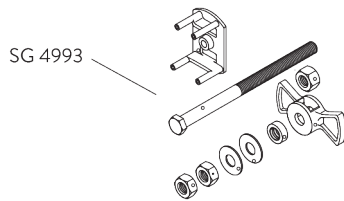
- Light gaps increase when side-guide option is used
- Up to 15° from vertical

**C. HOOK-IN
INSTALLATION
PLATES**



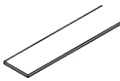
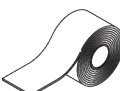



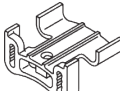

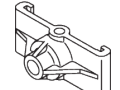
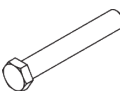
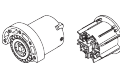
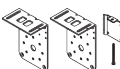

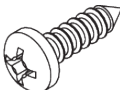
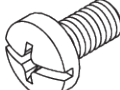
A: Hook-in plates SG 4972 take the weight of the blind
B: Brackets sideways adjustable by up to 18 mm

**D. ADJUSTABLE END
STOP**

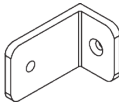

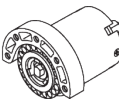
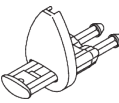
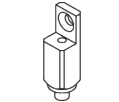


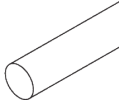


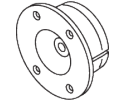
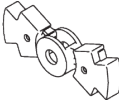
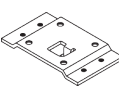



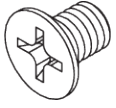
PARTS

A. STANDARD PARTS

| | |
|---|--|
|  | SG 4223 PVC strip 14 mm |
|  | SG 4226 Double tape 30 mm |
|  | SG 4845 Bead chain metal ø 4.5 mm |
|  | SG 4901 Tube ø 80 mm |
|  | SG 4902 Profile |
|  | SG 4908 End stop |
|  | SG 4914 Tube adapter |
|  | SG 4915 Support |
|  | SG 4939 Shaft |
|  | SG 4941 Chain drive set |
|  | SG 4949 Bracket set |
|  | SG 4956 Bracket cover |
|  | SG 10503 Pan head screw 3.5x13 |
|  | SG 10505 Pan head screw Freedrive M4x8 |

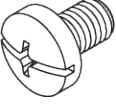
B. OPTIONAL PARTS

| | |
|---|---|
|  | SG 3036 Bracket 47 mm |
|  | SG 4903 Bottom bar |
|  | SG 4909 Chain drive |
|  | SG 4944 Side guide end cover |
|  | SG 4946 Side guide wire rope fastener |
|  | SG 4947 Side guide wire rope fastener |
|  | SG 4948 Side guide wire ø 1.5 mm |
|  | SG 4951 Bottom weight ø 8 mm |
|  | SG 4957 Tube ø 110 mm |
|  | SG 4958 Tube adapter |
|  | SG 4961 Tube adapter |
|  | SG 4965 End stop flange |
|  | SG 4972 Installation plate |
|  | SG 4993 End stop set |



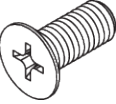
SG 10502

Countersunk head screw M4x6



SG 10504

Pan head screw Freedrive M5x8



SG 10508

Countersunk head screw M5x12



SG 10770

Bottom bar



SG 10771

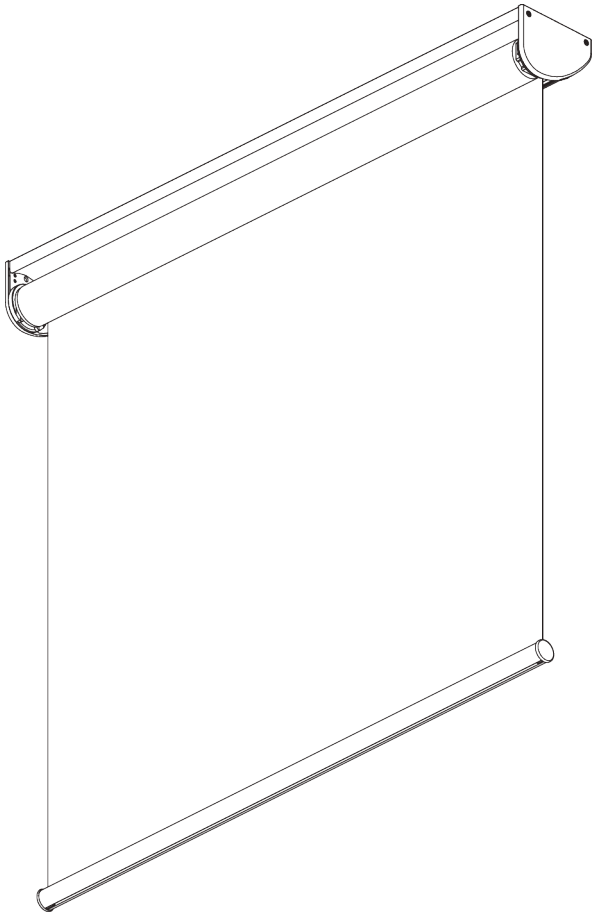
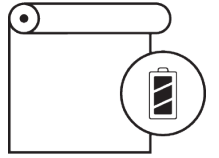
End cover



SG 11178

End cover

SG 4955



PRODUCT INFORMATION

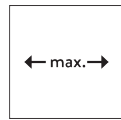
- **Operation:** motorised (battery operated)
- **Range:** S - M
- **Fitting:** ceiling, wall, recess
- **Colours:** white RAL 9016 or anodised aluminum, special colours possible
- **Fabrics:** refer to Silent Gliss fabric collection

Features:

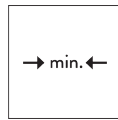
- Various control options
- Easy exchange of batteries
- Click-in brackets
- Installation profile

SYSTEM SPECIFICATIONS

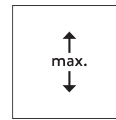
A. SYSTEM DIMENSIONS



2.4 m



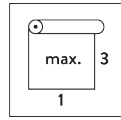
60 cm



4 m



2.5 kg



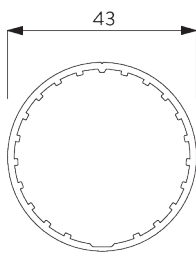
Recommended width /
height ratio
max. 1:3

Maximum system drop

| | | | | | | | | | | | | | | | |
|------------------|----|------|------|------|------|------|------|------|------|------|------|------|------|------|------|
| Fabric thickness | mm | 0.15 | 0.20 | 0.25 | 0.30 | 0.35 | 0.40 | 0.45 | 0.50 | 0.55 | 0.60 | 0.65 | 0.70 | 0.75 | 0.80 |
| Max. system drop | cm | 400 | 400 | 400 | 400 | 400 | 400 | 390 | 350 | 320 | 290 | 270 | 250 | 230 | 220 |

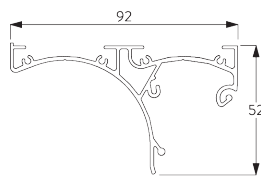
B. PROFILE

Profile information



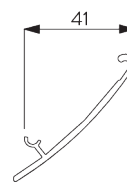
SG 10532

Tube ø 43 mm



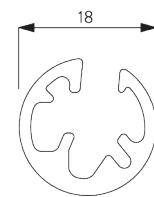
SG 11081

Profile



SG 11082

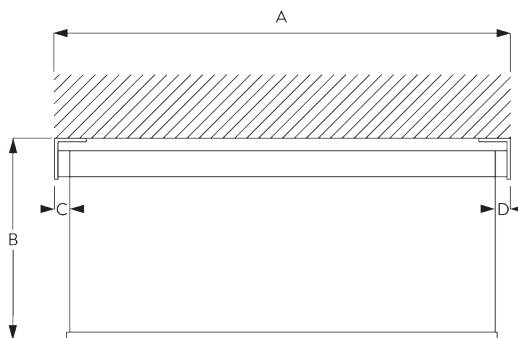
Profile



SG 10872

Bottom bar

C. HOW TO MEASURE



A: System width
B: System height
C: Light gap: 14 mm
D: Light gap operation side: 17 mm



D. SPECIFICATION

TEXT

EN

Silent Gliss SG 4955 Battery Operated Roller Blind System. Roller blind. Roller blind system for light to medium size blind applications up to 2.4 m wide. Supplied made to measure and complete comprising anodised aluminium barrel SG 10532 and profile cover SG 11081 with lid SG 11082. Fixed to wall / ceiling / inside recess with clamp SG 3044 or direct fixed with installation support plate SG 11086. Integral motor SG 11076 with battery pack concealed in fascia profile. Powered by 8no. lithium AA cells. Round bottom bar SG 4221 in powder coated white Operation by remote control, hand held or wall switch. Fabric from Silent Gliss fabric programme P1-4.

SV

Silent Gliss SG 4955 batteridrivet rullgardinsystem. Rullgardinsystem för installationer upp till 2.4 m bredd. Levereras komplett i specificerat mått innefattande aluminium rör SG 10532 och profil täcksidor SG 11081 m. frontlock SG 11082. Vägg/tak och nischmontering med fästen SG 3044 eller direktmonterad med stödplatta SG 11086. Motor SG 11087 med batteripack gömd i kassetten. Drivs med 8 st lithium AA batterier. Monterad rund tyngdprofil i aluminium SG 4221 i vitt. Styrning med handhållen eller väggmonterad fjärrkontroll. Textil från Silent Gliss textilprogram P1-4.

NO

Silent Gliss SG 4955 Batteridrevet rullegardinsystem. Rullegardinsystem for maks. bredde på 2,4 meter. Leveres komplett på spesialmål med anodisert rør SG 10532 og dekkside SG 11081 m/frontdeksel SG 11082. Tak-,vegg- og nischmontering med feste SG 3044 eller direkte monterert med støtteplate SG 11086. Motor SG 11087 med batteripakke skjult i kassetten, Drives med 8 stk lithium AA batterier. Leveres med rund tyngdeprofil i hvit. Styring med fjernkontroll eller veggmontert fjernkontroll. Tekstil fra Silent Gliss kolleksjon i prisgruppe 1-4.

DA

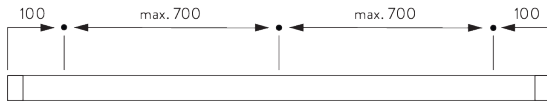
Silent Gliss SG 4955 batteridrevet rullegardinsystem. Rullegardiner. Rullegardinsystem til lette til mellem installationer med op til 2,4 m bredde. Leveres i ønsket længde og samlet, bestående af anodiseret aluminiumrør SG 10532 og profilafdækning SG 11081 med låg SG 11082. Fastgjort til væg / loft / indfældet med klemme SG 3044 eller direkte fastgjort med installationsstøtteplade SG 11086. Integreret motor SG 11076 med batteripakke gemt i kassetten. Drevet af 8 stk. litium AA-batterier. Rund tyngdeprofil SG 4221 med hvis pulverlakering. Styres af fjernbetjening, håndholdt eller vægkontakt. Tekstil from Silent Gliss tekstil programme P1-4.

FITTING

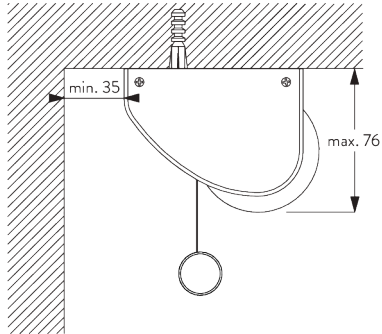
A. FITTING INFORMATION

For detailed fitting information, visit the [Silent Gliss website](#).

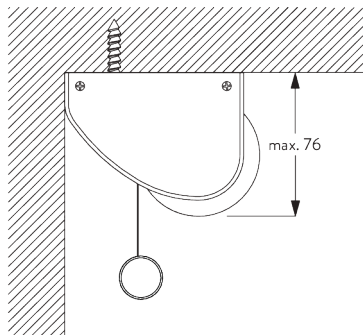
Fixing points



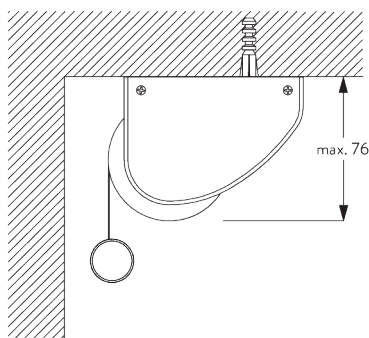
B. CEILING FITTING



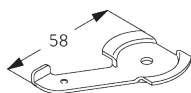
Clamp SG 3044



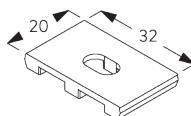
Direct fitting



Reversed fitting

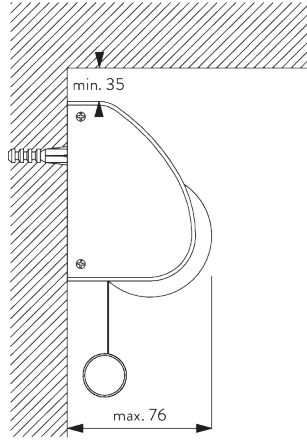


SG 3044
Clamp

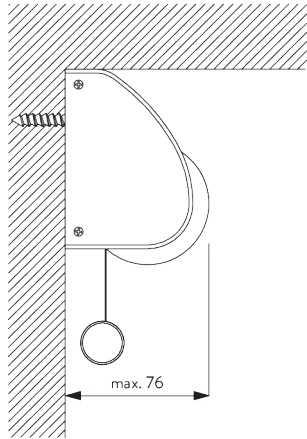


SG 11086
Installation support plate

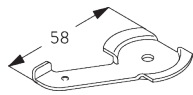
C. WALL FITTING



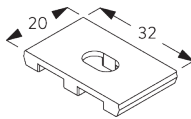
Clamp SG 3044



Direct fitting

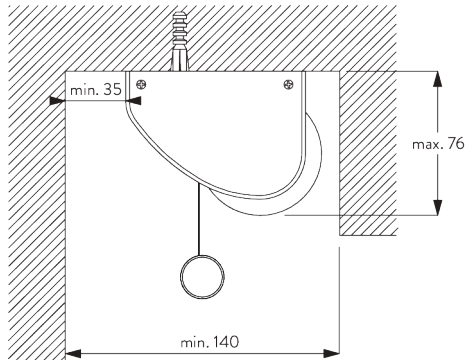


SG 3044
Clamp

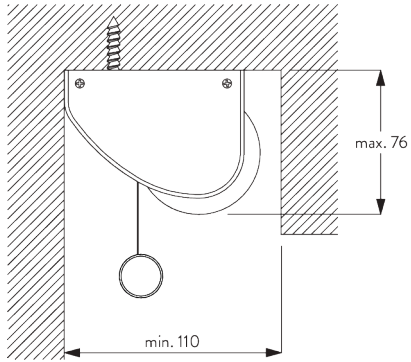


SG 11086
Installation support plate

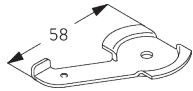
D. RECESS FITTING



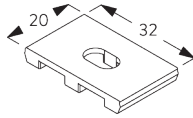
Clamp SG 3044



Direct fitting



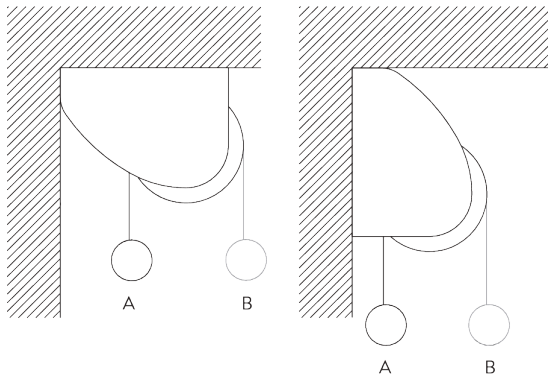
SG 3044
Clamp



SG 11086
Installation support plate

SYSTEM FEATURES

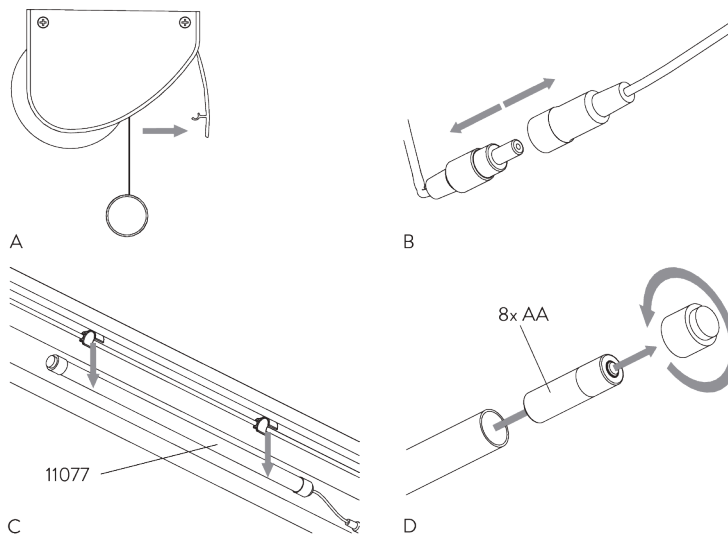
A. FABRIC ROLL-OFF



A: Fabric roll-off window side (standard)

B: Fabric roll-off room side (option)

B. BATTERY EXCHANGE



MOTOR & CONTROLS

A. MOTOR FEATURES

| | |
|-------|----------|
| Motor | SG 11076 |
|-------|----------|

Motor Features

| | |
|--|-------|
| Soft start / stop | ● |
| Built-in receiver | ● |
| Electronic end-stop | ● |
| Electronic revolution counter (unlimited revolution) | ● |
| IP class | IP 44 |

Control Features

| | |
|--------------|---|
| SG Control A | ● |
|--------------|---|

B. MOTOR SPECIFICATIONS

| Motor | Light gaps C / D = driving side | Min. system width | Voltage | Current | Speed | Frequency receiver |
|----------|------------------------------------|----------------------|---------|---------|--------|-----------------------|
| SG 11076 | C: 14 mm / D: 17 mm | 60 cm | 12 V DC | 0.55 A | 30 rpm | 433 MHz |

C. OPERATION METHODS

See catalogue "controls" for details.

SG Control A



Various radio hand-held and wall transmitters available.

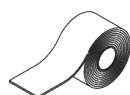
PARTS

A. STANDARD PARTS



SG 3044

Clamp



SG 4226

Double tape 30 mm



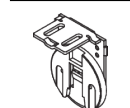
SG 10498

Countersunk screw 2.9x9.5



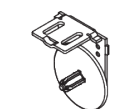
SG 10532

Tube \varnothing 43 mm



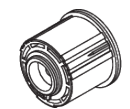
SG 10543

Bracket



SG 10544

Bracket



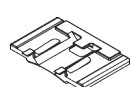
SG 10557

Tube adapter



SG 10668

PVC strip 10 mm



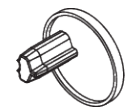
SG 10690

Spacer



SG 10872

Bottom bar



SG 10874

End cover



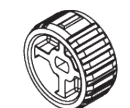
SG 10946

Radio hand held 1 channel



SG 11039

Cable protector



SG 11072

Motor drive



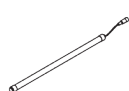
SG 11075

Tube adapter



SG 11076

Motor 12V DC, 1.2/30



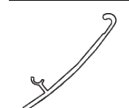
SG 11077

Battery box



SG 11081

Profile



SG 11082

Profile



SG 11083

End cover right



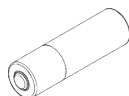
SG 11084

End cover left



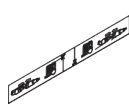
SG 11085

Battery box holder



SG 11099

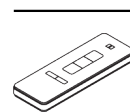
AA Energizer Ultimate lithium batteries



SG 11103

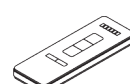
Warning sticker

B. OPTIONAL PARTS



SG 10947

Radio hand held 2+1 channel



SG 10948

Radio hand held 6+1 channel



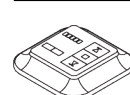
SG 10949

Radio wall transmitter 1 channel



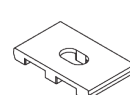
SG 10950

Radio wall transmitter 2 channel



SG 10951

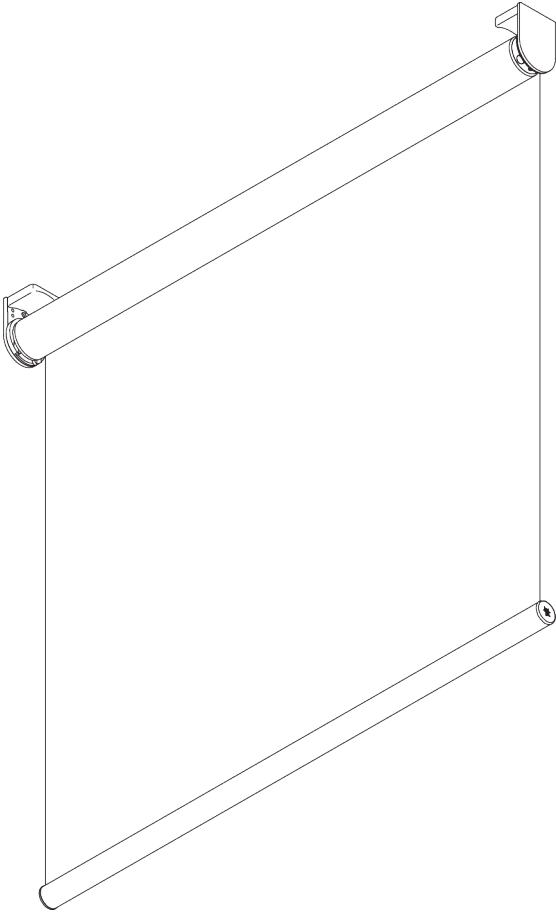
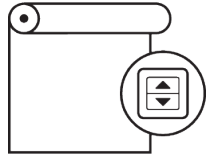
Radio wall transmitter 5+1 channel



SG 11086

Installation support plate

SG 4960



PRODUCT INFORMATION

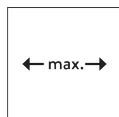
- **Operation:** motorised
- **Range:** S - M
- **Fitting:** ceiling, wall, recess
- **Colours:** white RAL 9016, grey RAL 7035, black RAL 9005; special colours possible
- **Fabrics:** refer to Silent Gliss fabric collection

Features:

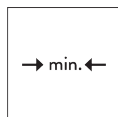
- Quiet and fast motors, soft stop
- Various control options
- Two connected systems
- Click-in brackets
- Fascia, box, installation profile

SYSTEM SPECIFICATIONS

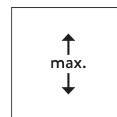
A. SYSTEM DIMENSIONS



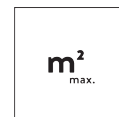
Single system: 2.4 m
Double system: 4.8 m



61 cm*
*see motor specification table



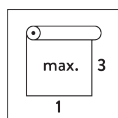
4 m



Single system: 9.6 m²
Double system: 19.2 m²



5.5 kg



Recommended width /
height ratio
max. 1:3

Maximum system drop

Wall fitting (system drop on window side)

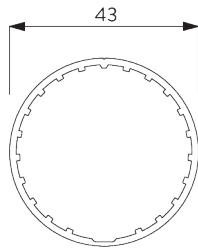
| | | | | | | | | | | | | | | | |
|------------------|----|------|------|------|------|------|------|------|------|------|------|------|------|------|------|
| Fabric thickness | mm | 0.15 | 0.20 | 0.25 | 0.30 | 0.35 | 0.40 | 0.45 | 0.50 | 0.55 | 0.60 | 0.65 | 0.70 | 0.75 | 0.80 |
| Max. system drop | cm | 400 | 400 | 400 | 400 | 400 | 400 | 390 | 350 | 320 | 290 | 270 | 250 | 230 | 220 |

Ceiling fitting / wall fitting (system drop on room side)

| | | | | | | | | | | | | | | | |
|------------------|----|------|------|------|------|------|------|------|------|------|------|------|------|------|------|
| Fabric thickness | mm | 0.15 | 0.20 | 0.25 | 0.30 | 0.35 | 0.40 | 0.45 | 0.50 | 0.55 | 0.60 | 0.65 | 0.70 | 0.75 | 0.80 |
| Max. system drop | cm | 400 | 400 | 400 | 400 | 400 | 400 | 400 | 400 | 400 | 380 | 350 | 330 | 300 | 280 |

B. PROFILE

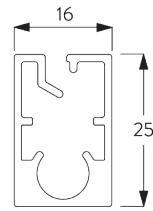
Profile information



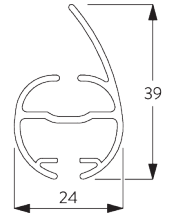
SG 10532
Tube ø 43 mm



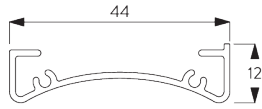
SG 10760
Bottom bar



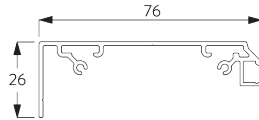
SG 10770
Bottom bar



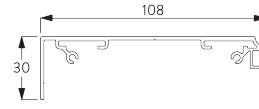
SG 4903
Bottom bar



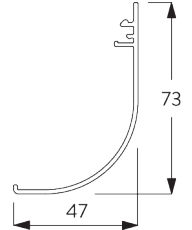
SG 10534
Installation profile



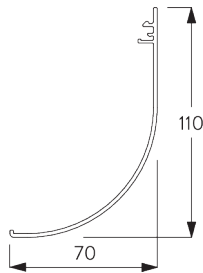
SG 11430
Installation profile fascia 73 mm



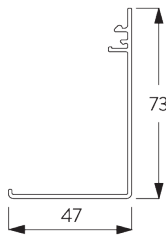
SG 11530
Installation profile fascia 110 mm



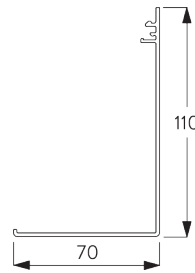
SG 11431
Fascia round 73 mm



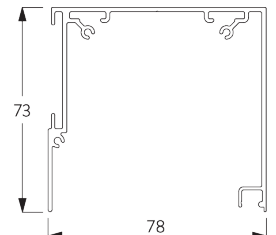
SG 11531
Fascia round 110 mm



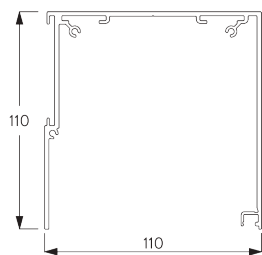
SG 11432
Fascia square 73 mm



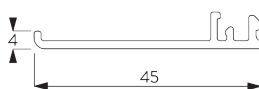
SG 11532
Fascia square 110 mm



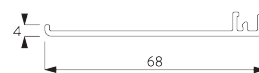
SG 11433
Box case 73 mm



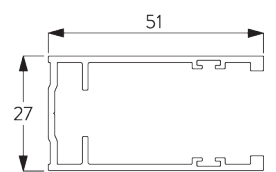
SG 11533
Box case 110 mm



SG 11434
Box cover 73 mm



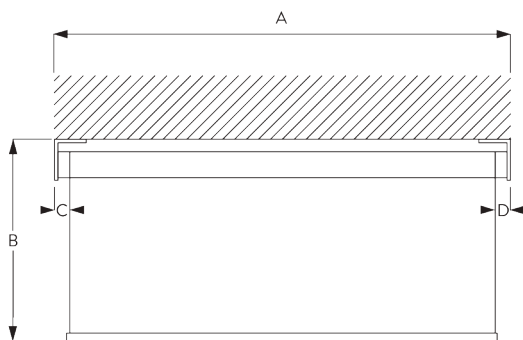
SG 11534
Box cover 110 mm



SG 11542
Side guide channel

**C. HOW TO
MEASURE**

incl. bracket covers

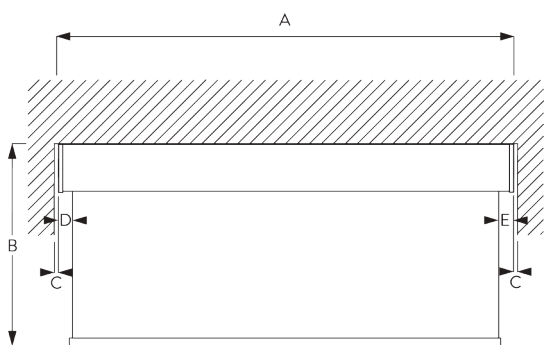


- A: System width
- B: System height
- C: Light gap: 13 mm
- D: Light gap operation side: 19 mm

Note:
Different light gaps see motor specifications.
All measurements include 2 mm for bracket cover per side!



Fascia / Box

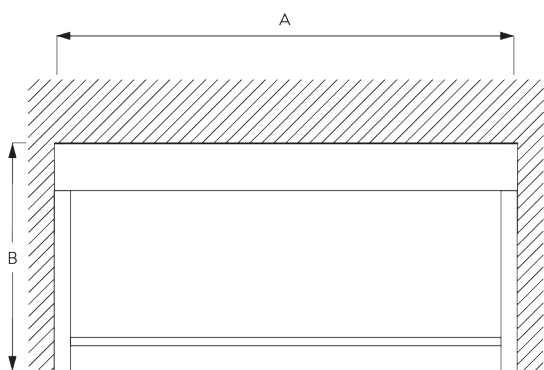


- A: System width
- B: System height
- C: Gap: min. 10 mm (when cover is used)*
- D: Light gap: 15 mm
- E: Light gap operation side: 21 mm

Note:
Different light gaps see motor specifications.
*Possible to make Fascia wider than system to reduce gap between wall and system.



Fascia / Box with Side Profiles SG 11542



- A: System width
- B: System height

D. SPECIFICATION

TEXT

EN

Silent Gliss SG 4960 Electrically Operated Roller Blind System. Roller blind system for applications up to 2.4 m wide. Supplied made to measure and complete comprising anodised aluminium barrel SG 10532, 41 mm. Fixed to wall / ceiling / inside recess with brackets SG 10542 / SG 10543 and bracket covers SG 10574 / SG 10575. Optional installation profile SG 10534 for easy installation with clamps SG 10539. Brackets and hardware in white / grey / black finish. Assembled with powder coated white, alu or black finish aluminium bottom weight bar SG 4221 / SG 10633 / SG 10634. Connected system possible. Optional side guide wires. Integral 230V motor SG 10320 / (SG 10321 with radio receiver) left / right side. Operation by mains switch (not supplied), by remote control or mains switching by third party control system. All wiring to be strictly in accordance with Silent Gliss wiring diagrams. Fabric to be chosen from the Silent Gliss fabric range, Price Group 1-4.

SV

Silent Gliss SG 4960 rullgardinsystem med motor. Rullgardinsystem för installationer upp till 2.4 m bredd. Levereras komplett i specificerat mått innefattande anodiserat rör SG 10532, 41 mm. Vägg/tak och nischmontering med fästen SG 10542 / SG 10543 och täckplattor SG 10574 / SG 10575 i vitt / alu eller svart. Alternativt med installationsprofil SG 10534 som monteras med fästen SG 10539. Sidewire som tillbehör. Dubbelsystem möjligt. Monterad pulverlackerad tyngdprofil i aluminium i finish vitt / alu / svart med SG 4221 / SG 10633 / SG 10634. Integrerad 230V motor SG 10320 / (SG 10321 radiomottagare) vänster / höger sida. Styrning via väggkontakt (ej inkluderad), via fjärrkontroll eller via externt styrsystem. All elinstallation skall följa Silent Gliss kopplingsschema. Textil från Silent Gliss textilprogram i prisgrupp 1-4.

NO

Silent Gliss SG 4960 Rullegardinsystem med motor. Rullegardinsystem for maks. bredde på 2,4 meter. Leveres komplett på spesialmåll med anodisert rør integrert, SG 10532, 41 mm. Tak-, vegg- og nishmontering med feste SG 10542 / SG 10543 samt dekkplate SG 10574 / SG 11175 i hvit, alu eller svart. Alternativt monteringsprofil SG 10534 som monteres med feste SG 10534. Sidewire som tilbehør. Dobbelsystem mulig. Monteret tyngdeprofil i pulverlakkert aluminium i hvit / alu / svart med SG 4221 / SG 10633 / SG 10634. Integrert 230V motor SG 10320 / (SG 10321 radiomottaker) venstre eller høyre side. Styring med veggkontakt (ikke inkl.), via fjernkontroll eller eksternt styringsystem. Alle elektriske installasjoner skal gjøres i.h.t. Silent Gliss koblingskjema. Tekstil fra Silent Gliss kolleksjon i prisgruppe 1-4.

DA

Silent Gliss SG 4960 elektrisk rullegardinsystem. Rullegardinsystemer til installationer med op til 2,4 m bredde. Leveres i ønsket længde og samlet. Består af anodiseret aluminiumrør SG 10532, 41 mm. Fastgøres i væggen / loftet / indfældes med beslagene SG 10542 / SG 10543 og beslagafdækningerne SG 10574 / SG 10575. Alternativt med installationsprofil SG 10534 for nem installation med klemmerne SG 10539. Beslag og armaturer i hvid / alu / sort finish. Samlet med pulverlakeret hvid, alu eller sort finish tyngdeprofil af aluminium SG 4221 / SG 10633 / SG 10634. Mulighed for tilsluttet system. Sidewirer som tilbehør. Integreret 230 V motor SG 10320 / (SG 10321 med radiomdtager) venstre / højre side. Styres med lysnetkontakt (medfølger ikke), med fjernbetjening eller lysnetkontakt fra tredjepart system. Al ledningsføring skal udelukkende vælges i henhold til Silent Gliss ledningsdiagrammer. Stoffet vælges fra Silent Gliss stofprogrammet, prisgruppe 1-4.

FITTING

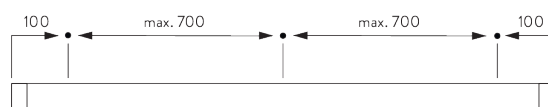
A. FITTING INFORMATION

Fixing points

For detailed fitting information, visit the Silent Gliss website.

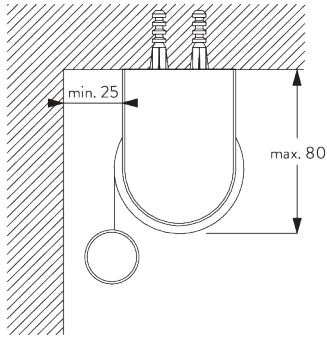


Brackets (wall / ceiling)

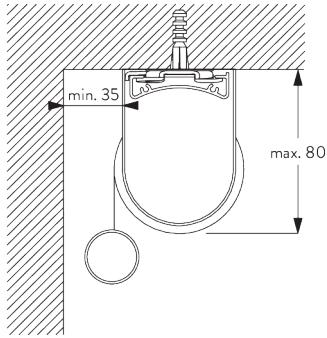


Fascia / box & installation profile SG 10534 (wall / ceiling)

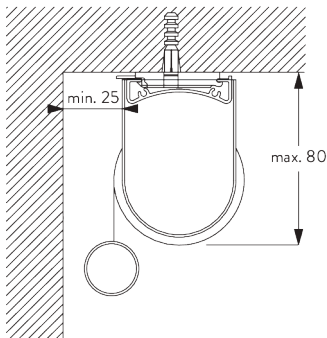
B. CEILING FITTING



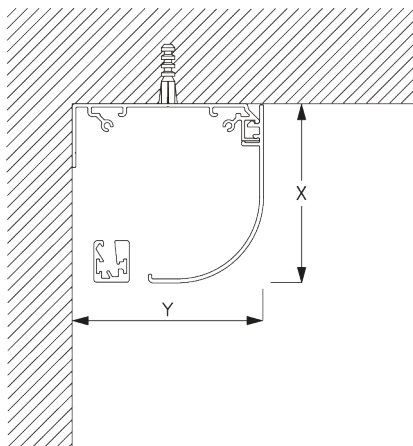
Brackets



Installation profile SG 10534 and clamps SG 3033 or SG 3044

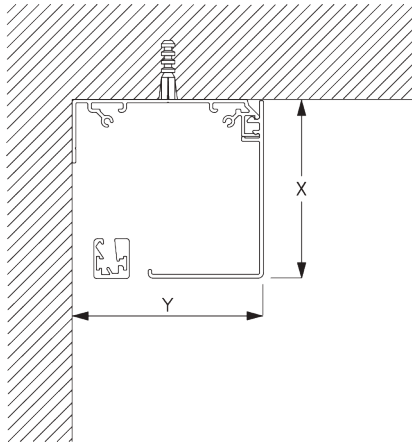


Installation profile SG 10534 and click bracket SG 10539
Not possible with two connected systems!



Fascia round

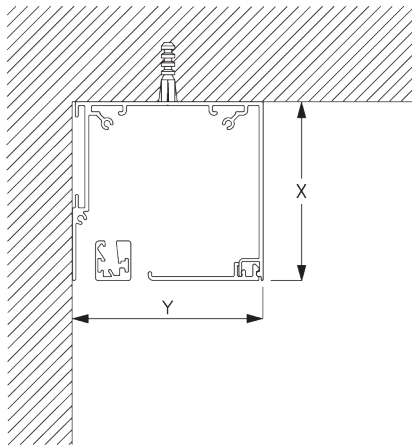
X = Fascia S 73 mm / Fascia L 110 mm
Y = Fascia S 78 mm / Fascia L 110 mm



Fascia square

X = Fascia S 73 mm / Fascia L 110 mm

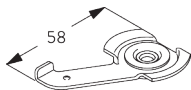
Y = Fascia S 78 mm / Fascia L 110 mm



Box

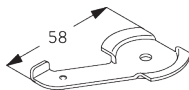
X = Box S 73 mm / Box L 110 mm

Y = Box S 78 mm / Box L 110 mm



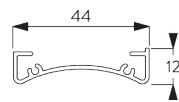
SG 3033

Clamp



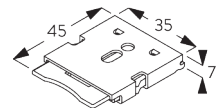
SG 3044

Clamp



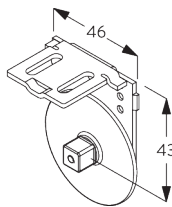
SG 10534

Installation profile



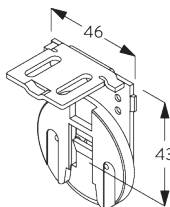
SG 10539

Bracket



SG 10542

Bracket



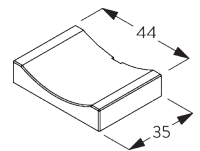
SG 10543

Bracket



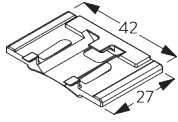
SG 10574

Bracket cover



SG 10575

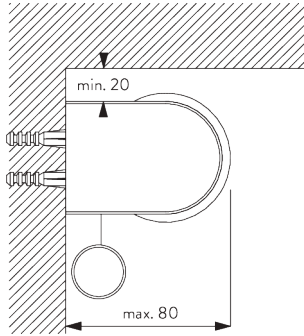
Bracket cover



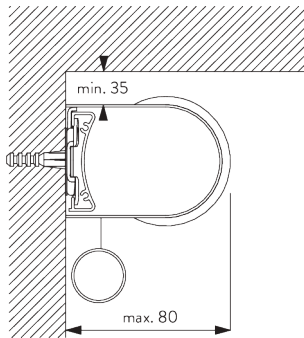
SG 10690

Spacer

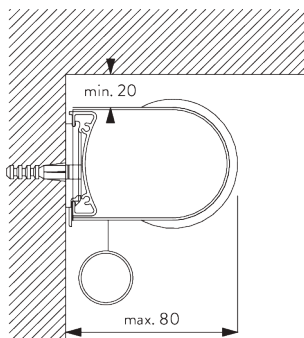
C. WALL FITTING



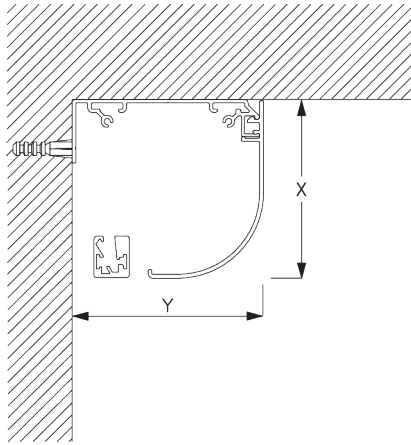
Brackets



Installation profile SG 10534 and clamps SG 3033 or SG 3044



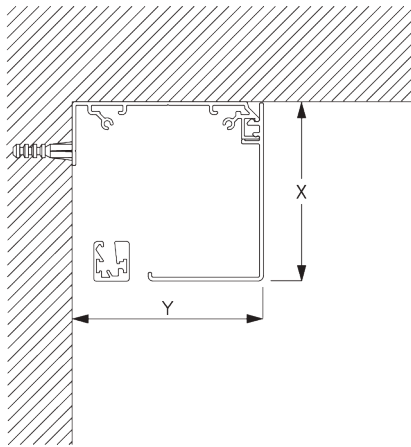
Installation profile SG 10534 and click bracket SG 10539
 Not possible with two connected systems!



Fascia round

X = Fascia S 73 mm / Fascia L 110 mm

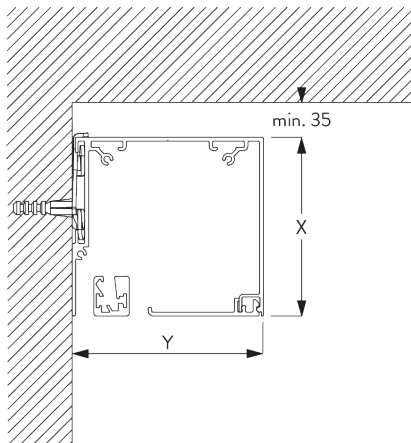
Y = Fascia S 78 mm / Fascia L 110 mm



Fascia square

X = Fascia S 73 mm / Fascia L 110 mm

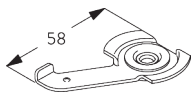
Y = Fascia S 78 mm / Fascia L 110 mm



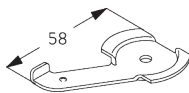
Box S and clamp SG 3044 / Box L and clamp SG 1180

X = Box S 73 mm / Box L 110 mm

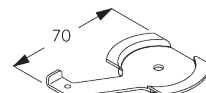
Y = Box S 78 mm / Box L 110 mm



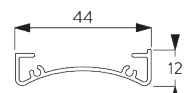
SG 3033
Clamp



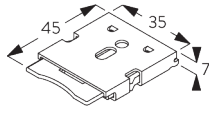
SG 3044
Clamp



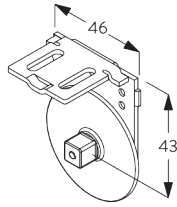
SG 1180
Clamp



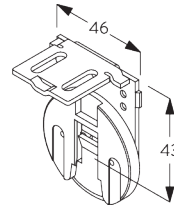
SG 10534
Installation profile



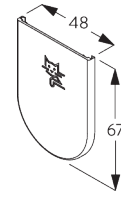
SG 10539
Bracket



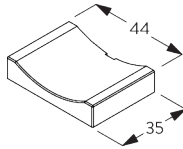
SG 10542
Bracket



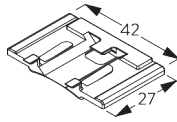
SG 10543
Bracket



SG 10574
Bracket cover

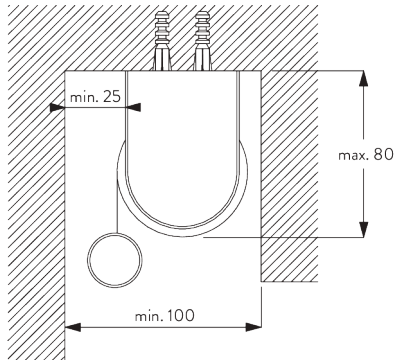


SG 10575
Bracket cover

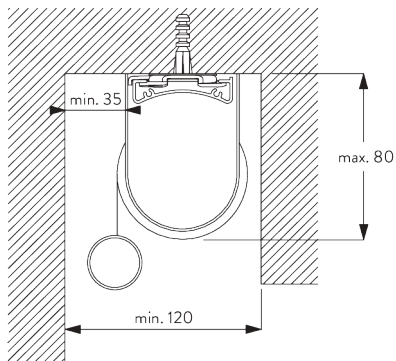


SG 10690
Spacer

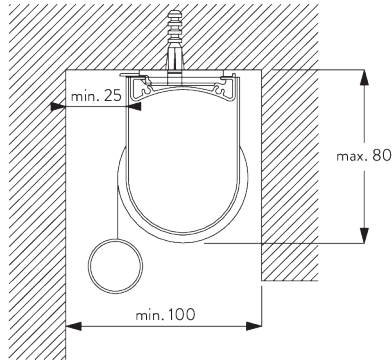
D. RECESS FITTING



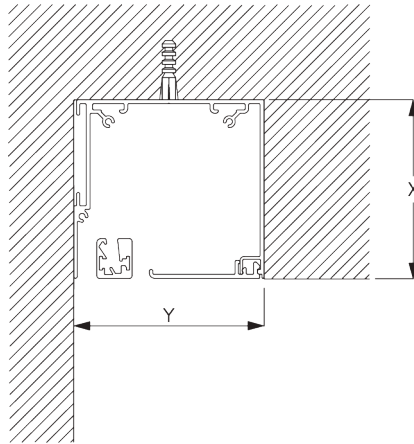
Brackets



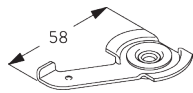
Installation profile SG 10534 and clamps SG 3033 or SG 3044



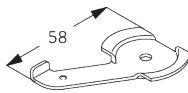
Installation profile SG 10534 and click bracket SG 10539
 Not possible with two connected systems!



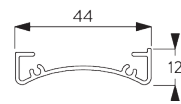
Box
 X = Box S 73 mm / Box L 110 mm
 Y = Box S min. 79 mm / Box L min. 111 mm



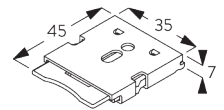
SG 3033
 Clamp



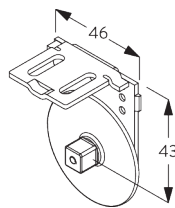
SG 3044
 Clamp



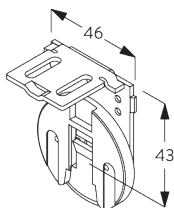
SG 10534
 Installation profile



SG 10539
 Bracket



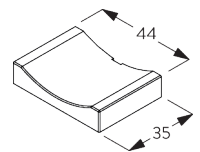
SG 10542
 Bracket



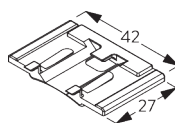
SG 10543
 Bracket



SG 10574
 Bracket cover

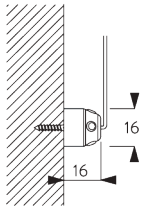
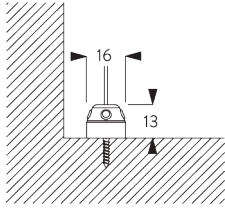


SG 10575
 Bracket cover

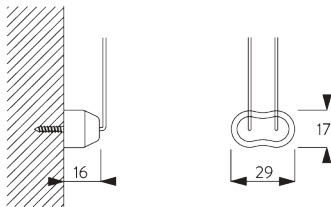
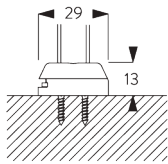


SG 10690
 Spacer

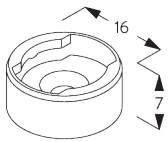
**E. FITTING WITH
SIDE GUIDE
OPTION**



Single system

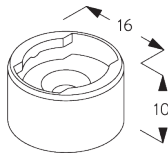


Double system (side-by-side installation)



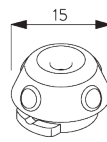
SG 8235

Side guide wire base short



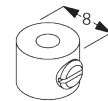
SG 8236

Side guide wire base long



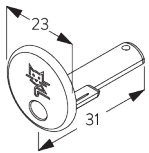
SG 8237

Side guide wire holder



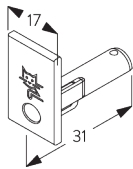
SG 8249

Side guide device



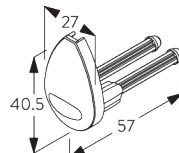
SG 10762

Side guide end cover



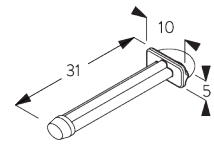
SG 10772

Side guide end cover



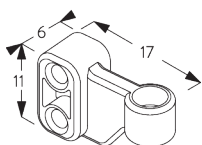
SG 4944

Side guide end cover



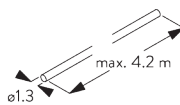
SG 10641

Side guide eyelet



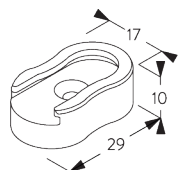
SG 10642

Side guide wire holder



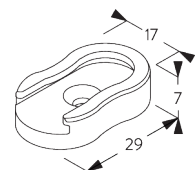
SG 10643

Side guide wire ø 1.3 mm x 4.2 m



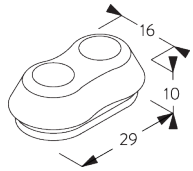
SG 10669

Side guide double base long

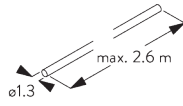


SG 10673

Side guide double base short



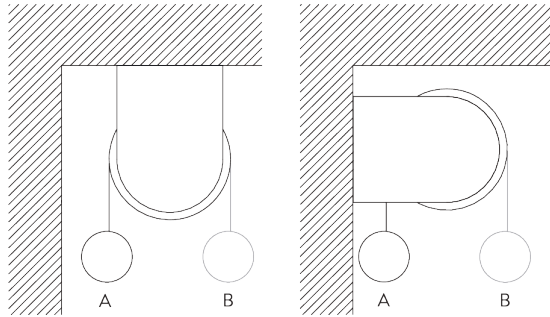
SG 10701
Side guide double wire holder



SG 10706
Side guide wire \varnothing 1.3 mm x 2.6 m

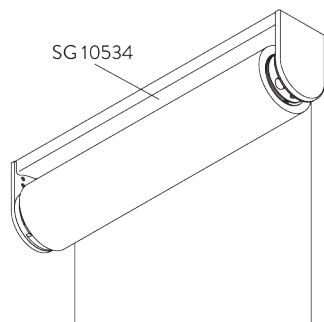
SYSTEM OPTIONS

A. FABRIC ROLL-OFF

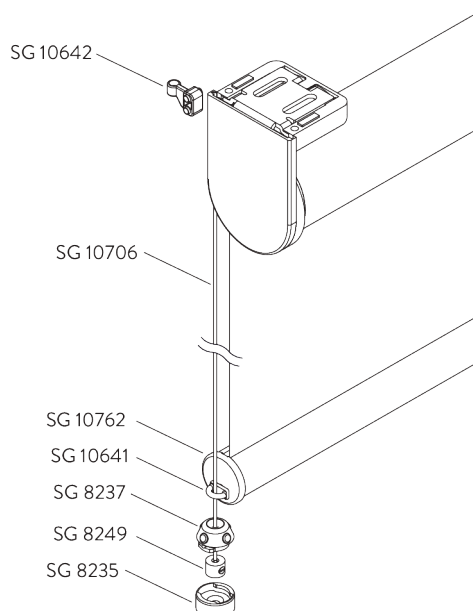


A: Fabric roll-off window side (standard)
B: Fabric roll-off room side (option)

B. INSTALLATION PROFILE



C. SIDE GUIDES



Additional parts:

- 2x SG 8235 Side guide wire base short
- 2x SG 8237 Side guide wire holder
- 2x SG 8249 Side guide device
- 2x SG 10762 Side guide end cover round
- 2x SG 10641 Side guide eyelet
- 2x SG 10642 Side guide wire holder
- 2x SG 10706 Side guide wire \varnothing 1.3 mm x 2.6 m

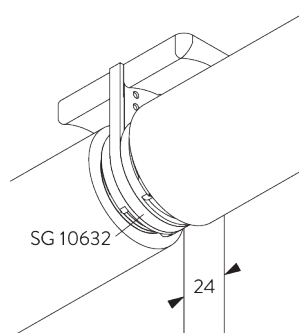
Optional parts:

- 2x SG 8236 Side guide wire base long
- 2x SG 10772 Side guide end cover square
- 2x SG 10643 Side guide wire \varnothing 1.3 mm x 4.2 m
- 1x SG 10669 Side guide double base long
- 1x SG 10673 Side guide double base short
- 1x SG 10701 Side guide double wire holder

Note:

- Light gaps increase when side-guide option is used
- Up to 15° from vertical

D. TWO CONNECTED SYSTEMS



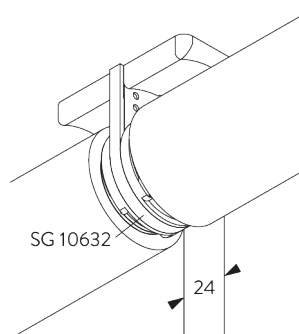
Additional parts:

- 1x SG 10558 Connection tube adapter
- 2x SG 10626 Connection bracket
- 2x SG 10627 Connection flange
- 1x SG 10628 Connection tube adapter
- 1x SG 10632 Connection bracket cover

Note:

- Not possible with 24 V motor SG 10692!

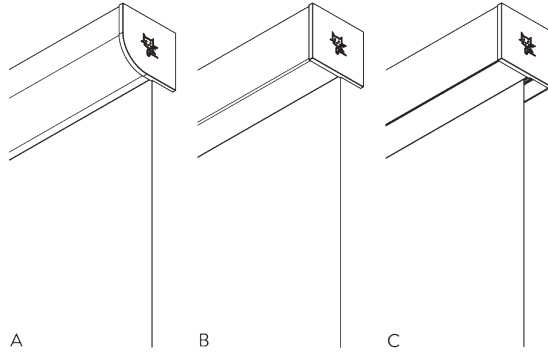
E. TWO SINGLE SYSTEMS SIDE-BY-SIDE



Additional parts:

- 1x SG 10632 Connection bracket cover

F. FASCIA / BOX



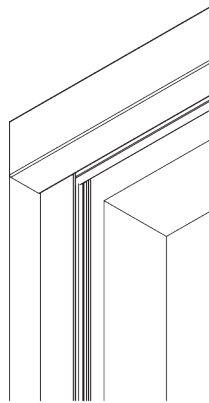
A: Fascia round
B: Fascia square
C: Box

Size

- S: 78 x 73 mm
- L: 110 x 110 mm

Note:

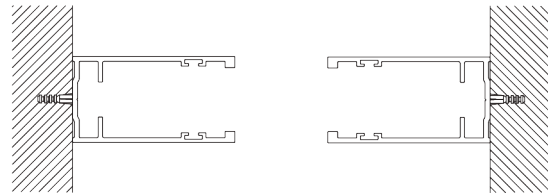
- Only applicable with bottom bar SG 11442
- Not possible with connected systems
- Two systems with one Fascia possible upon request



Optional side guide channels SG 11542 to be used with Fascia or Box.

Note:

- Only applicable with inside fitting
- Box: only recess fitting



MOTORS & CONTROLS

A. MOTOR FEATURES

| | 50-Series | 20-Series | 20-Series | 10-Series K | 5-Series | 24 V DC |
|--------|-----------|-----------|-----------|-------------|----------|----------|
| Motors | SG 11250 | SG 10321 | SG 10320 | SG 10514 | SG 10715 | SG 10692 |

Motor Features

| | | | | | | |
|--|-------|-------|-------|-------|-------|-------|
| Soft stop | • | • | • | | | |
| Electronic end-stop | • | • | • | | | • |
| Electronic revolution counter (unlimited revolution) | • | • | • | | | • |
| Mechanical end-stop | | | | • | • | |
| Mechanical revolution counter (limited revolution) | | | | • | • | |
| Two intermediate positions possible | | • | | | | |
| Bottom bar alignment | • | | | | | |
| Noiseless stop | | • | • | • | | • |
| Parallel wiring possible without additional relays | | • | • | | | |
| Disconnectable motor cable | • | • | • | | | |
| IP class | IP 30 | IP 44 | IP 44 | IP 44 | IP 44 | IP 30 |

Control Features

| | | | | | | |
|---|---|---|---|---|---|---|
| Mains power control | | • | • | • | • | |
| Dry contact control | | | | | | • |
| SG Control L (built-in receiver) | | • | | | | |
| Smart by Silent Gliss | • | | | | | |
| Suitable for most major home automation systems (with suitable interface) | | • | • | • | • | • |

B. MOTOR SPECIFICATIONS

| Motors | Light gaps* C / D = driving side | Min. system width | Voltage | Current | Frequency | Speed | Frequency receiver |
|--|-------------------------------------|----------------------|----------|---------|-----------|--------|-----------------------|
| 50-Series (Smart by Silent Gliss) | | | | | | | |
| SG 11250 | C: 10 mm / D: 26 mm | 61 cm | 24 V DC | 1.8 A | - | 55 rpm | - |
| 20-Series | | | | | | | |
| SG 10320 (standard) | C: 13 mm / D: 19 mm | 61 cm | 230 V AC | 0.55 A | 50 Hz | 70 rpm | - |
| SG 10321 | C: 13 mm / D: 19 mm | 61 cm | 230 V AC | 0.55 A | 50 Hz | 70 rpm | 868/915 MHz |
| 10-Series K | | | | | | | |
| SG 10514 | C: 10 mm / D: 25 mm | 50 cm | 230 V AC | 0.52 A | 50 Hz | 30 rpm | - |
| 5-Series | | | | | | | |
| SG 10715 | C: 10 mm / D: 25 mm | 61 cm | 230 V AC | 0.485 A | 50-60 Hz | 28 rpm | - |
| 24 V DC | | | | | | | |
| SG 10692 | C: 13 mm / D: 19 mm | 50 cm | 24 V DC | 0.7 A | - | 25 rpm | - |

*Light gaps Fascia or Box: C +2 mm / D +2 mm

C. OPERATING METHODS

See catalogue "controls" for details.

Wall Switch



System can be operated by fixed wall switch.

SG Control L



Various radio hand-held and wall transmitters available.



Silent Gliss Move App.

Smart by Silent Gliss



Open designed two-way communication system which allows to flawlessly integrate products with most major building management systems.

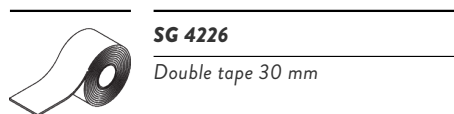
D. WIRING
DIAGRAMS



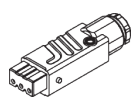
Refer to Silent Gliss website.

PARTS

A. STANDARD PARTS



SG 4226
Double tape 30 mm



SG 9917
Hirschmann portable socket-outlet STAK 3 N



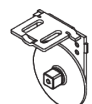
SG 10284
O-Ring



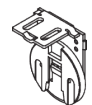
SG 10320
Tubular motor 230V AC, 20 Series S 1.5/70



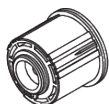
SG 10532
Tube ø 43 mm



SG 10542
Bracket



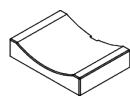
SG 10543
Bracket



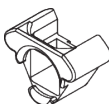
SG 10557
Tube adapter



SG 10574
Bracket cover



SG 10575
Bracket cover



SG 10620
Motor flange 10/20-Series



SG 10621
Tube adapter



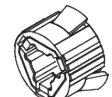
SG 10668
PVC strip 10 mm



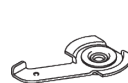
SG 10760
Bottom bar



SG 10761
End cover



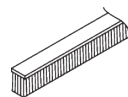
SG 11354
Motor drive 10/20-Series



SG 3033
Clamp



SG 3044
Clamp



SG 4508
Brush 5x7 mm



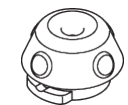
SG 4903
Bottom bar



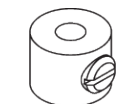
SG 8235
Side guide wire base short



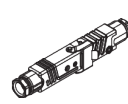
SG 8236
Side guide wire base long



SG 8237
Side guide wire holder



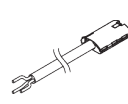
SG 8249
Side guide device



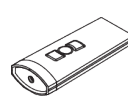
SG 9916
Hirschmann plug set



SG 10139
Countersunk screw 2.9x6.5



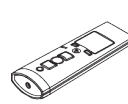
SG 10293
Cable 230V AC, 2/3/5/10 m



SG 10300
Radio hand held 1 channel


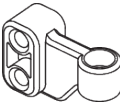

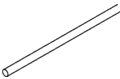





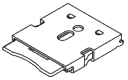



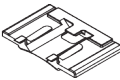

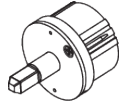

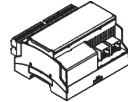


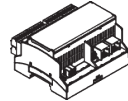
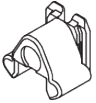
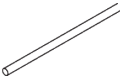
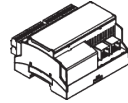
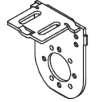
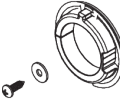
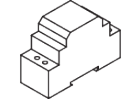
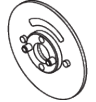
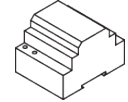

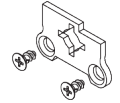
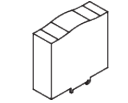


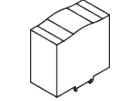
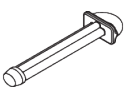
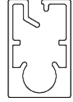



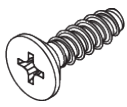
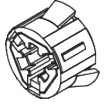
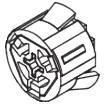
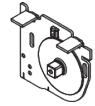
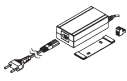
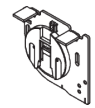
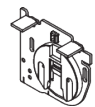
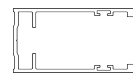
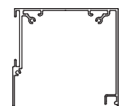
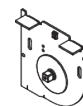
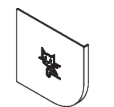
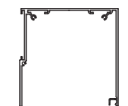
SG 10302
Radio hand held 5+1 channel



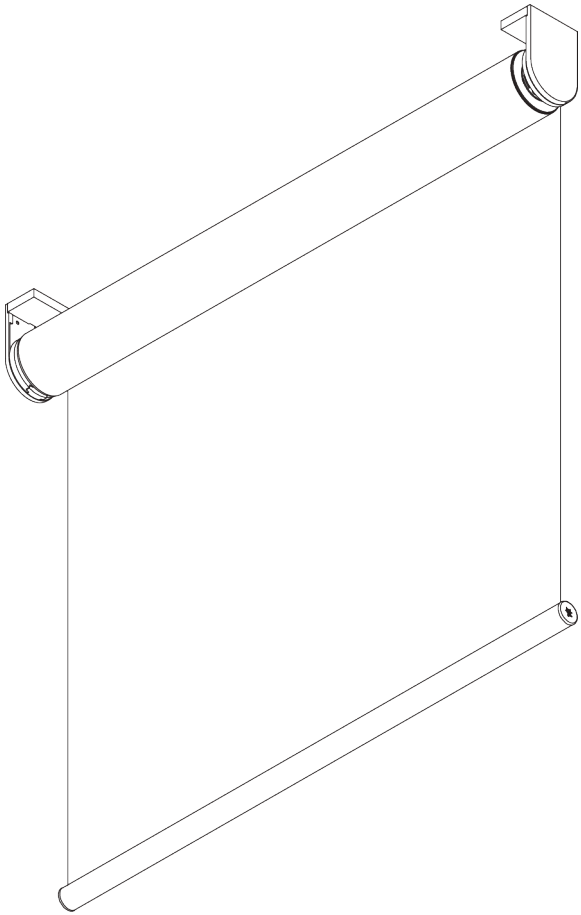
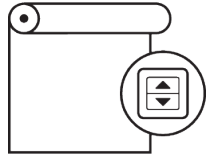
SG 10303
Radio hand held 10+2+1 channel

B. OPTIONAL PARTS

| | | | | | |
|---|--|---|---|---|---|
|  | SG 10321 Tubular motor 230V AC, 20 Series S 1.5/70, radio receiver |  | SG 10642 Side guide wire holder |  | SG 10771 End cover |
|  | SG 10498 Countersunk screw 2.9x9.5 |  | SG 10643 Side guide wire ø 1.3 mm x 4.2 m |  | SG 10772 Side guide end cover |
|  | SG 10514 Tubular motor 230V AC, 10 Series S 3/30 K |  | SG 10651 Connection flange |  | SG 10804 Radio hand held 15+5+1 channel |
|  | SG 10534 Installation profile |  | SG 10669 Side guide double base long |  | SG 11178 End cover |
|  | SG 10539 Bracket |  | SG 10673 Side guide double base short |  | SG 11180 Clamp |
|  | SG 10544 Bracket |  | SG 10690 Spacer |  | SG 11250 Smart motor 24V DC, 50-Series S 1.5/55 |
|  | SG 10558 Connection tube adapter |  | SG 10692 Motor 24 V DC, 2/38 |  | SG 11260 Gateway Cedia |
|  | SG 10622 Tube adapter, 24V DC motor |  | SG 10701 Side guide double wire holder |  | SG 11261 Gateway KNX |
|  | SG 10625 Motor flange, 10/20-Series |  | SG 10706 Side guide wire ø 1.3 mm x 2.6 m |  | SG 11262 Expansion unit |
|  | SG 10626 Connection bracket |  | SG 10708 Adapter set, 24 V DC |  | SG 11263 Power supply 24V DC, 2 Ampere DIN Rail |
|  | SG 10627 Connection flange |  | SG 10715 Tubular motor 230V AC, 5 Series S 6/28 |  | SG 11264 Power supply 24V DC, 3.8 Ampere DIN Rail |
|  | SG 10628 Connection tube adapter |  | SG 10753 Motor plate |  | SG 11265 Power supply 24V DC, 5 Ampere DIN Rail |
|  | SG 10632 Connection bracket cover |  | SG 10762 Side guide end cover |  | SG 11266 Power supply 24V DC, 10 Ampere DIN Rail |
|  | SG 10641 Side guide eyelet |  | SG 10770 Bottom bar |  | SG 11322 PT Screw Countersunk KA35x10 WN 1413 |

**SG 11323***PT Screw Countersunk KA35x12***SG 11443***End cover***SG 11534***Box cover 110 mm***SG 11355***Motor drive 5-Series***SG 11446***Bracket left 73 mm***SG 11537***Bracket cover round left 110 mm***SG 11357***Motor drive 24 V DC***SG 11447***Bracket right 73 mm***SG 11538***Bracket cover round right 110 mm***SG 11426***Power supply 24V / 2A including cable with EU/CH plug***SG 11448***Bracket left 73 mm***SG 11539***Bracket cover square left 110 mm***SG 11430***Installation profile fascia 73 mm***SG 11449***Bracket right 73 mm***SG 11540***Bracket cover square right 110 mm***SG 11431***Fascia round 73 mm***SG 11450***Bracket left 73 mm***SG 11542***Side guide channel***SG 11432***Fascia square 73 mm***SG 11451***Bracket right 73 mm***SG 11546***Bracket left 110 mm***SG 11433***Box case 73 mm***SG 11460***Cover for Hirschmann plug***SG 11547***Bracket right 110 mm***SG 11434***Box cover 73 mm***SG 11480***Radio wall transmitter 1 channel***SG 11548***Bracket left 110 mm***SG 11437***Bracket cover round left 73 mm***SG 11490***Radio wall transmitter 5+1 channel***SG 11549***Bracket right 110 mm***SG 11438***Bracket cover round right 73 mm***SG 11530***Installation profile fascia 110 mm***SG 11550***Bracket left 110 mm***SG 11439***Bracket cover square left 73 mm***SG 11531***Fascia round 110 mm***SG 11551***Bracket right 110 mm***SG 11440***Bracket cover square right 73 mm***SG 11532***Fascia square 110 mm***SG 11442***Bottom bar***SG 11533***Box case 110 mm*

SG 4970



PRODUCT INFORMATION

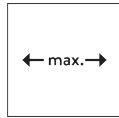
- **Operation:** motorised
- **Range:** M - L
- **Fitting:** ceiling, wall, recess
- **Colours:** white RAL 9016, grey RAL 7035, black RAL 9005, special colours possible
- **Fabrics:** refer to Silent Gliss fabric collection

Features:

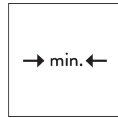
- Quiet and fast motors
- Soft stop
- Various control options
- Two connected systems
- Click-in brackets, fascia, box, installation profile

SYSTEM SPECIFICATIONS

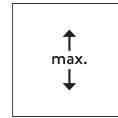
A. SYSTEM DIMENSIONS



Single system: 3.4 m
Double system: 6.8 m



65 cm*
*see motor specification table



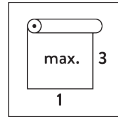
5 m



Single system: 17 m²
Double system: 34 m²



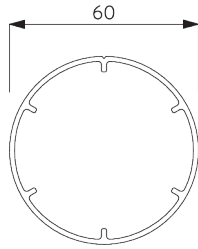
10 kg



Recommended width /
height ratio
max. 1:3

B. PROFILE

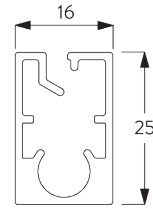
Profile information



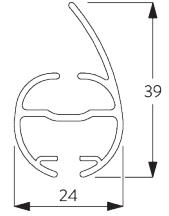
SG 11037
Tube ø 60 mm



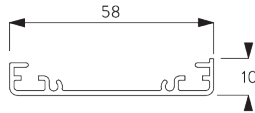
SG 10760
Bottom bar



SG 10770
Bottom bar



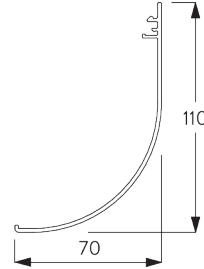
SG 4903
Bottom bar



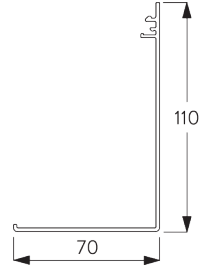
SG 11181
Installation profile



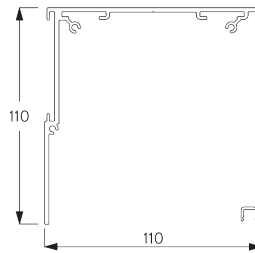
SG 11530
Installation profile fascia 110 mm



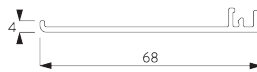
SG 11531
Fascia round 110 mm



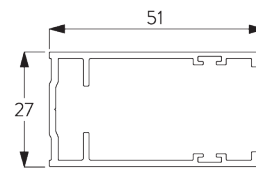
SG 11532
Fascia square 110 mm



SG 11533
Box case 110 mm



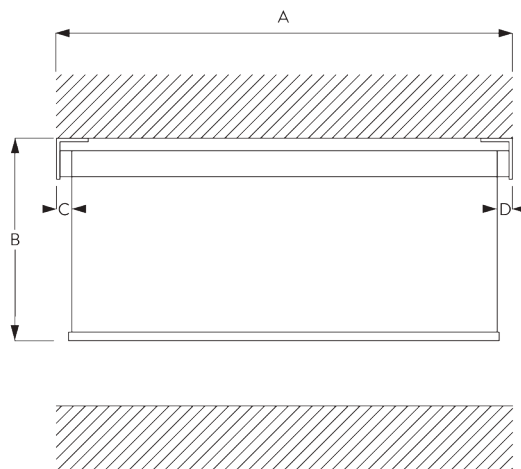
SG 11534
Box cover 110 mm



SG 11542
Side guide channel

C. HOW TO MEASURE

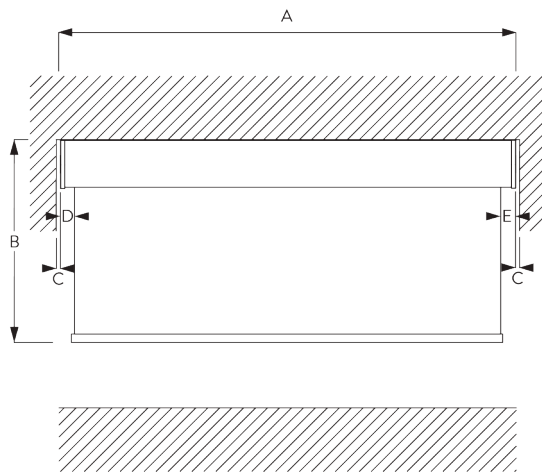
incl. bracket covers



A: System width
B: System height
C: Light gap: 18 mm
D: Light gap operation side: 25 mm

Note:
Different light gaps see motor specifications.
All measurements include 2 mm for bracket cover per side!

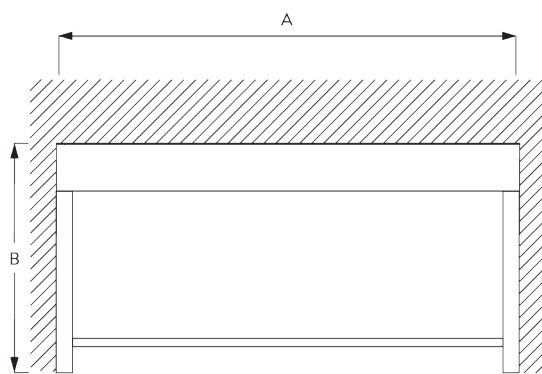
Fascia / Box



- A: System width
- B: System height
- C: Gap: min. 10 mm (when cover is used)*
- D: Light gap: 20 mm
- E: Light gap operation side: 27 mm

Note:
Different light gaps see motor specifications.
*Possible to make Fascia wider than system to reduce gap between wall and system.

Fascia / Box with Side Profiles SG 11542



- A: System width
- B: System height

D. SPECIFICATION

TEXT

EN

Silent Gliss SG 4970 Electrically Operated Roller Blind System. Roller blind system for applications up to 3.4m wide. Supplied made to measure and complete comprising anodised aluminium barrel SG 11037, 60 mm. Fixed to wall / ceiling / inside recess with brackets SG 11172 / 75 / 77 and bracket covers SG 11173 / SG 11174. Brackets and hardware in white / grey / black finish. Assembled with powder coated white/ grey / black aluminium bottom weight bar SG 4903 / SG 10993 as standard. Optional installation profile SG 11181 for easy installation with clamps SG 11180. Optional side guide wires. Connected system through fitting SG 11183. Integral 230V motor SG 10520 / SG 10522 left / right side. Operation by mains switch (not supplied), by remote control or mains switching by third party control system. All wiring to be strictly in accordance with Silent Gliss wiring diagrams. Fabric to be chosen from the Silent Gliss fabric range, Price Group 1-4.

SV

Silent Gliss SG 4970 rullgardinsystem med motor. Rullgardinsystem för installationer upp till 3.4 m bredd. Levereras komplett i specificerat mått innefattande anodiserat rör SG 11037, 60 mm. Vägg / tak och nischmontering med fästen SG 11172 / 75 / 77 samt täckplattor SG 11173 / SG 11174 i vitt / grått eller svart. Alternativt med installationsprofil SG 11181 som monteras med fästen SG 11180. Sidewire som tillbehör. Dubbelsystem med kopplingsbeslag SG 11183. Monterad pulverlackerad tyngdprofil i aluminium i finish vitt / grått / svart med SG 4903 / SG 10993. Integrerad 230V motor SG 10520 / SG 10522 vänster / höger sida. Styrning via väggkontakt (ej inkluderad), via fjärrkontroll eller via externt styrsystem. All elinstallation skall följa Silent Gliss kopplingsschema. Textil från Silent Gliss textilprogram i prisgrupp 1-4.

NO

Silent Gliss SG 4970 rullegardinsystem med motor. Rullegardinsystem for maks. bredde på 3,4 meter. Leveres komplett på spesialmåll med anodisert rør integrert, SG 11037, 60 mm. Tak-, vegg- og nisjemontering med feste SG 11172 / 75 / 75 samt dekkplate SG 11173 / SG 11174 i hvit, grå eller svart. Alternativt monteringsprofil SG 11181 som monteres med feste SG 11180. Sidewire som tilbehør. Koblingsbeslag SG 11183 for betjening av dobbelt system med kulekjede. Monteret tyngdeprofil i pulverlakkert aluminium i hvit/alu/svart med SG 4903 / SG 10993. Integrert styring via veggkontroll eller vi eksternt styringssystem. Alle elektriske tilkoblinger skal utføres i.h.t. Silent Gliss koblingsskjema. Tekstil fra Silent Gliss kolleksjon i prisgruppe 1-4.

DA

Silent Gliss SG 4970 elektrisk rullegardinsystem. Rullegardinsystemer til installationer med op til 3,4 m bredde. Leveres i ønsket længde og samlet. Består af anodiseret aluminiumrør SG 11037, 60 mm. Fastgøres i væggen / loftet / indfældes med beslagene SG 11172 / 75 / 77 og beslagafdækningerne SG 11173 / SG 11174. Beslag og armaturer i hvid / grå / sort finish. Samlet med pulverlakeret hvid, aluminium eller sort finish tyngdeprofil SG 4903 / SG 10993 som standard. Alternativt med installationsprofil SG 11181 for nem installation med klemmerne SG 11180. Sidewirer som tilbehør. Tilsluttet system med fitting SG 11183. Integreret 230 V motor SG 10520 / SG 10522 venstre / højre side. Styres med lysnetkontakt (medfølger ikke), med fjernbetjening eller lysnetkontakt fra tredjepart system. Al ledningsføring skal udelukkende vælges i henhold til Silent Gliss ledningsdiagrammer. Stoffet vælges fra Silent Gliss stofprogrammet, prisgruppe 1-4.

FITTING

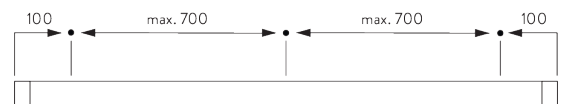
A. FITTING INFORMATION

Fixing points

For detailed fitting information, visit the Silent Gliss website.

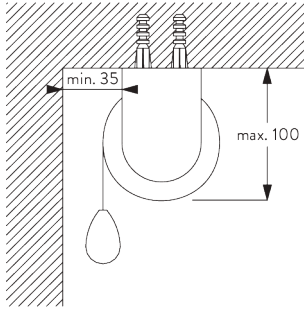


Brackets (wall / ceiling)

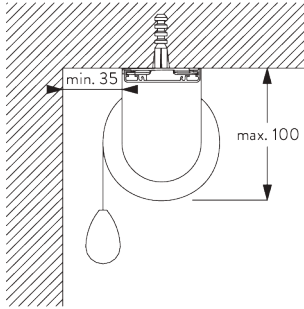


Fascia / box & installation profile SG 11181 (wall / ceiling)

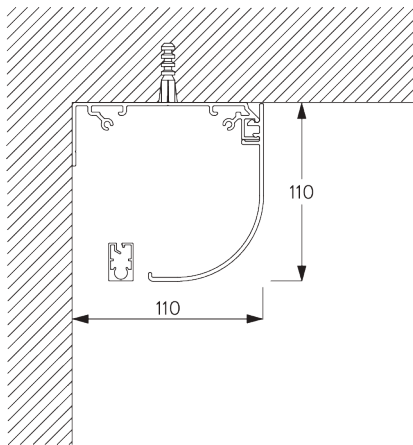
B. CEILING FITTING



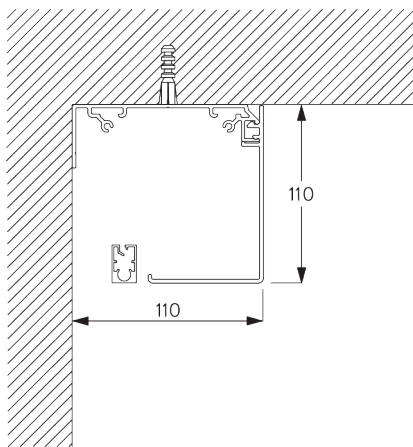
Brackets



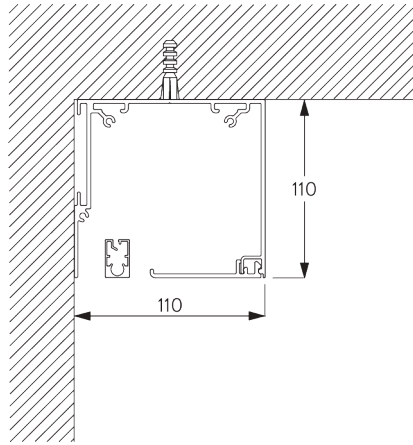
Installation profile SG 11181 and clamp SG 11180



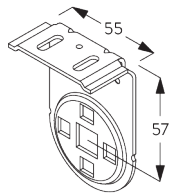
Fascia round



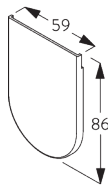
Fascia square



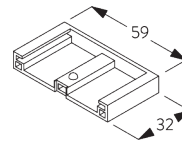
Box



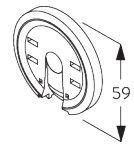
SG 11172
Bracket



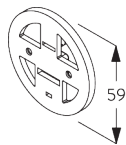
SG 11173
Bracket cover



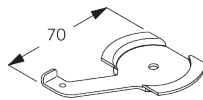
SG 11174
Bracket cover



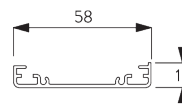
SG 11175
Click flange



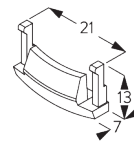
SG 11177
Motor support



SG 11180
Clamp

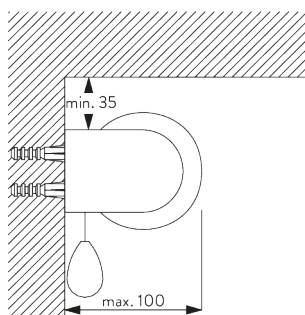


SG 11181
Installation profile

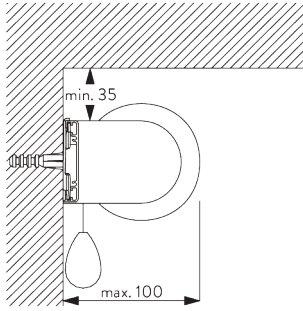


SG 11179
Cover

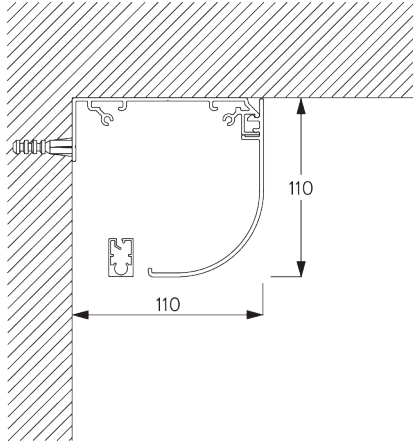
C. WALL FITTING



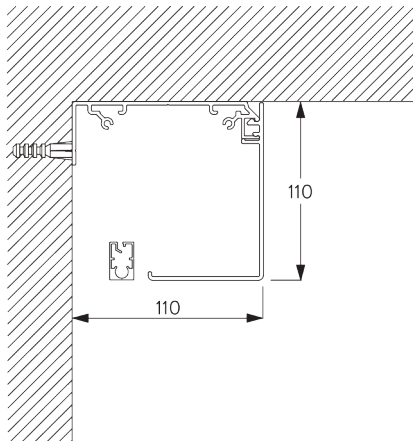
Brackets



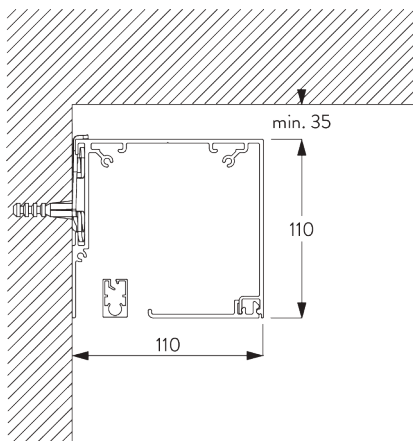
Installation profile SG 11181 and clamp SG 11180



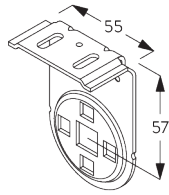
Fascia round



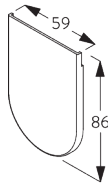
Fascia square



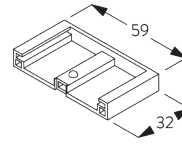
Box and clamp SG 11180



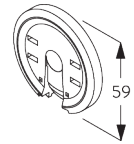
SG 11172
Bracket



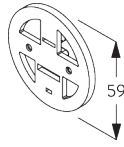
SG 11173
Bracket cover



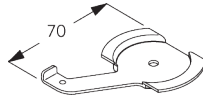
SG 11174
Bracket cover



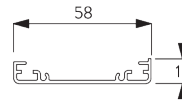
SG 11175
Click flange



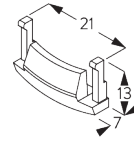
SG 11177
Motor support



SG 11180
Clamp

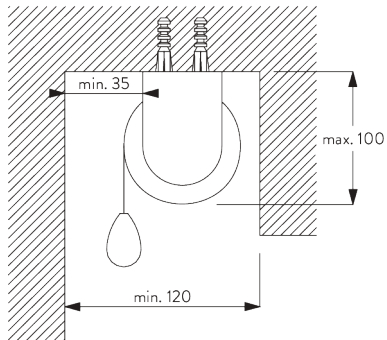


SG 11181
Installation profile

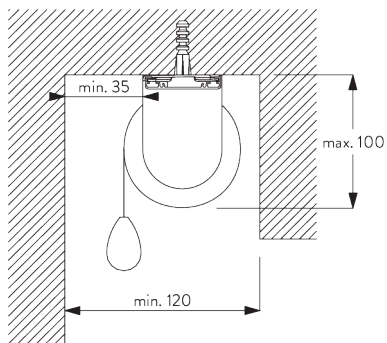


SG 11179
Cover

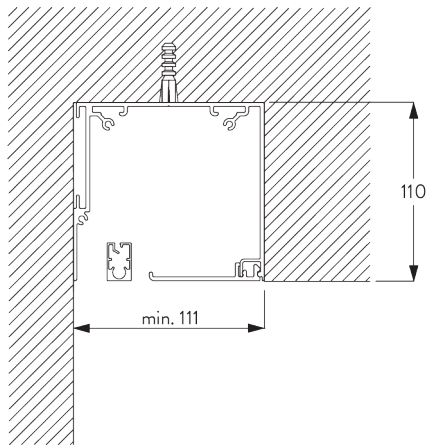
D. RECESS FITTING



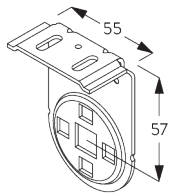
Brackets



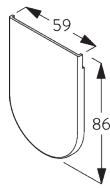
Installation profile SG 11181 and clamp SG 11180



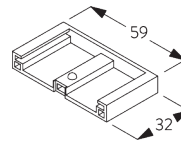
Box



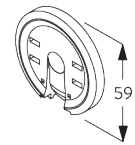
SG 11172
Bracket



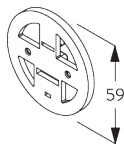
SG 11173
Bracket cover



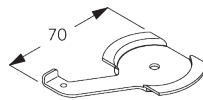
SG 11174
Bracket cover



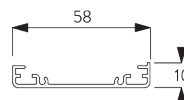
SG 11175
Click flange



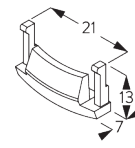
SG 11177
Motor support



SG 11180
Clamp

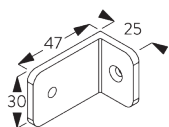
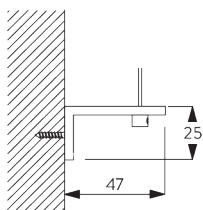


SG 11181
Installation profile

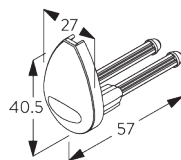


SG 11179
Cover

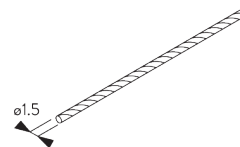
E. FITTING WITH SIDE GUIDE OPTION



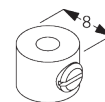
SG 3036
Bracket 47 mm



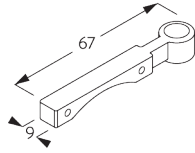
SG 4944
Side guide end cover



SG 4948
Side guide wire \varnothing 1.5 mm



SG 8249
Side guide device

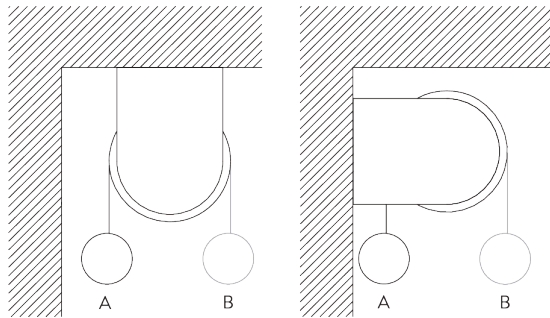


SG 11182

Side guide wire holder

SYSTEM OPTIONS

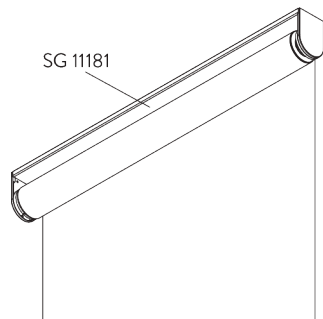
A. FABRIC ROLL-OFF



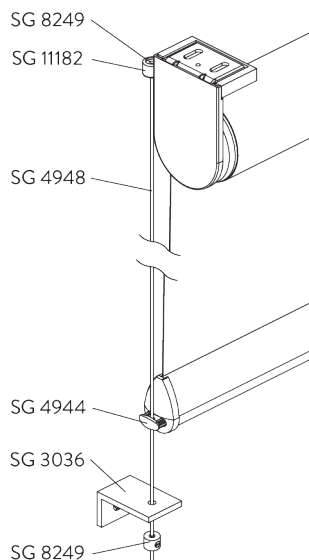
A: Fabric roll-off window side (standard)

B: Fabric roll-off room side (option)

B. INSTALLATION PROFILE



C. SIDE GUIDES



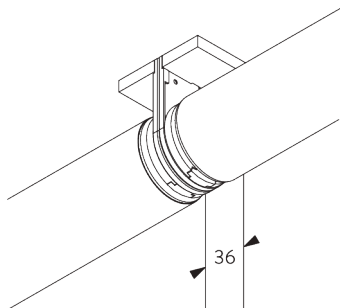
Additional parts:

- 2x SG 3036 Bracket
- 2x SG 4944 Side guide end cover
- 2x SG 4948 Side guide wire \varnothing 1.5 mm
- 4x SG 8249 Side guide device
- 2x SG 11182 Side guide wire holder

Note:

- Light gaps increase when side-guide option is used
- Up to 15° from vertical
- Only applicable with bottom bar SG 4903

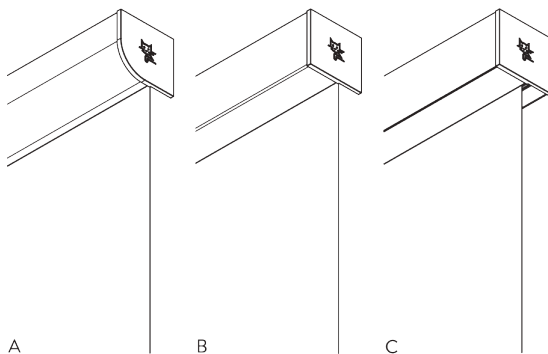
D. TWO CONNECTED SYSTEMS



Additional parts:

- 1x SG 11175 Click flange
- 1x SG 11183 Connecting bolt
- 2x SG 11184 Connection bracket cover
- 1x SG 11195 Connection tube adapter

E. FASCIA / BOX



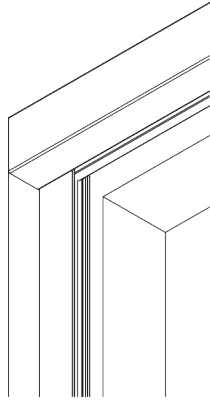
- A: Fascia round
- B: Fascia square
- C: Box

Size:

- 110 x 110 mm

Note:

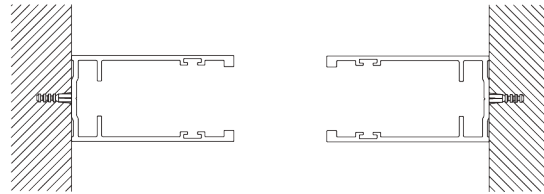
- Only applicable with bottom bar SG 10770
- Not possible with connected systems
- Two systems with one Fascia possible upon request



Optional side guide channels SG 11542 to be used with Fascia or Box.

Note:

- Only applicable with inside fitting
- Box: only recess fitting



MOTORS & CONTROLS

A. MOTOR FEATURES

| Motors | 50-Series | 20-Series | 20-Series | 10-Series K | 5-Series |
|--------|-----------|-----------|-----------|-------------|----------|
| | SG 11251 | SG 10523 | SG 10522 | SG 10514 | SG 10715 |

| Motor Features | | | | | |
|---|-------|-------|-------|-------|-------|
| Soft stop | • | • | • | | |
| Electronic end-stop | • | • | • | | |
| Electronic revolution counter (unlimited revolution) | • | • | • | | |
| Mechanical end-stop | | | | • | • |
| Mechanical revolution counter (limited revolution) | | | | • | • |
| Two intermediate positions possible | | • | | | |
| Bottom bar alignment | • | | | | |
| Noiseless stop | | • | • | • | |
| Parallel wiring possible without additional relays | | • | • | | |
| Disconnectable motor cable | • | • | • | | |
| IP class | IP 30 | IP 44 | IP 44 | IP 44 | IP 44 |
| Control Features | | | | | |
| Mains power control | | • | • | • | • |
| SG Control L (built-in receiver) | | • | | | |
| Smart by Silent Gliss | • | | | | |
| Suitable for most major home automation systems (with suitable interface) | | • | • | • | • |

B. MOTOR SPECIFICATIONS

| Motors | Light gaps* C / D = driving side | Min. system width | Voltage | Current | Frequency | Speed | Frequency receiver |
|--|-------------------------------------|----------------------|----------|---------|-----------|--------|-----------------------|
| 50-Series (Smart by Silent Gliss) | | | | | | | |
| SG 11251 | C: 18 mm / D: 26 mm | 65 cm | 24 V DC | 1.5 A | - | 32 rpm | - |
| 20-Series | | | | | | | |
| SG 10522 (standard) | C: 18 mm / D: 25 mm | 65 cm | 230 V AC | 0.55 A | 50 Hz | 30 rpm | - |
| SG 10523 | C: 18 mm / D: 25 mm | 65 cm | 230 V AC | 0.55 A | 50 Hz | 30 rpm | 868/915 MHz |
| 10-Series K | | | | | | | |
| SG 10514 | C: 18 mm / D: 25 mm | 53 cm | 230 V AC | 0.52 A | 50 Hz | 30 rpm | - |
| 5-Series | | | | | | | |
| SG 10715 | C: 18 mm / D: 25 mm | 65 cm | 230 V AC | 0.485 A | 50-60 Hz | 28 rpm | - |

*Light gaps Fascia or Box: C +3 mm / D +2 mm (20-Series: C +2 mm / D +2 mm)

C. OPERATING METHODS

See catalogue "controls" for details.

Wall Switch



System can be operated by fixed wall switch.

SG Control L



Various radio hand-held and wall transmitters available.



Silent Gliss Move App.

Smart by Silent Gliss



Open designed two-way communication system which allows to flawlessly integrate products with most major building management systems.

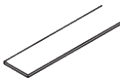
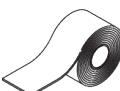
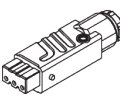




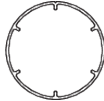
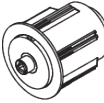


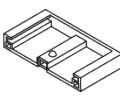


D. WIRING DIAGRAMS


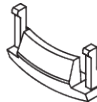
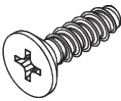
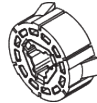


Refer to Silent Gliss website.

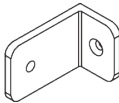
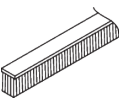

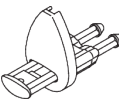


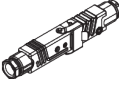
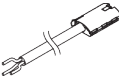



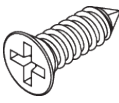


PARTS

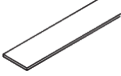
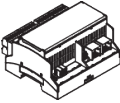


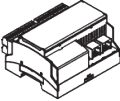

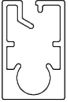
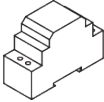


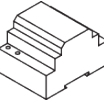
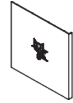

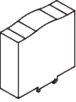



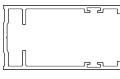

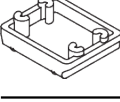




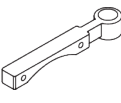

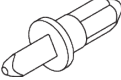



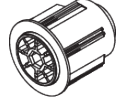



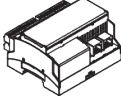

A. STANDARD PARTS

| | |
|---|--|
|  | SG 4223 PVC strip 14 mm |
|  | SG 4226 Double tape 30 mm |
|  | SG 9917 Hirschmann portable socket-outlet STAK 3 N |
|  | SG 10284 O-Ring |
|  | SG 10522 Motor 230V AC, 20-Series S 3/30 |
|  | SG 10760 Bottom bar |
|  | SG 10761 End cover |
|  | SG 11037 Tube ø 60 mm |
|  | SG 11165 Tube adapter |
|  | SG 11172 Bracket |
|  | SG 11173 Bracket cover |
|  | SG 11174 Bracket cover |
|  | SG 11175 Click flange |
|  | SG 11176 Tube adapter |

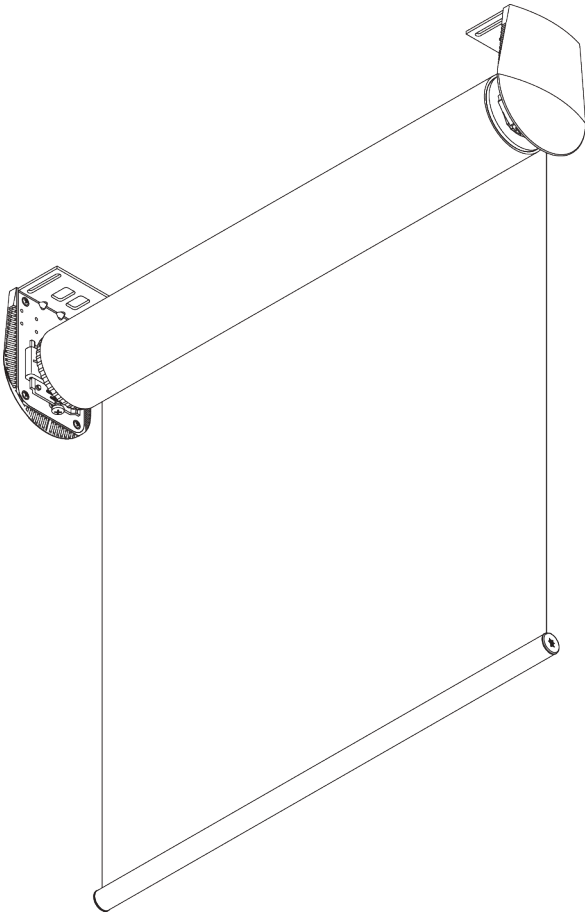
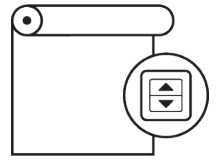
| | |
|---|---|
|  | SG 11177 Motor support |
|  | SG 11179 Cover |
|  | SG 11323 PT Screw Countersunk KA35x12 |
|  | SG 11358 Motor drive 10/20-Series |

B. OPTIONAL PARTS

| | |
|---|--|
|  | SG 3036 Bracket 47 mm |
|  | SG 4508 Brush 5x7 mm |
|  | SG 4903 Bottom bar |
|  | SG 4944 Side guide end cover |
|  | SG 4948 Side guide wire ø 1.5 mm |
|  | SG 8249 Side guide device |
|  | SG 9916 Hirschmann plug set |
|  | SG 10293 Cable 230V AC, 2/3/5/10 m |
|  | SG 10300 Radio hand held 1 channel |
|  | SG 10302 Radio hand held 5+1 channel |
|  | SG 10303 Radio hand held 10+2+1 channel |
|  | SG 10498 Countersunk screw 2.9x9.5 |
|  | SG 10514 Tubular motor 230V AC, 10 Series S 3/30 K |
|  | SG 10523 Motor 230V AC, 20-Series S 3/30, radio receiver |

| | | | | | |
|--|---|---|---|---|--|
|  | SG 10668 PVC strip 10 mm |  | SG 11261 Gateway KNX |  | SG 11534 Box cover 110 mm |
|  | SG 10715 Tubular motor 230V AC, 5 Series S 6/28 |  | SG 11262 Expansion unit |  | SG 11537 Bracket cover round left 110 mm |
|  | SG 10770 Bottom bar |  | SG 11263 Power supply 24V DC, 2 Ampere DIN Rail |  | SG 11538 Bracket cover round right 110 mm |
|  | SG 10771 End cover |  | SG 11264 Power supply 24V DC, 3.8 Ampere DIN Rail |  | SG 11539 Bracket cover square left 110 mm |
|  | SG 10804 Radio hand held 15+5+1 channel |  | SG 11265 Power supply 24V DC, 5 Ampere DIN Rail |  | SG 11540 Bracket cover square right 110 mm |
|  | SG 11178 End cover |  | SG 11266 Power supply 24V DC, 10 Ampere DIN Rail |  | SG 11542 Side guide channel |
|  | SG 11180 Clamp |  | SG 11311 Bracket spacer |  | SG 11544 Bracket left 110 mm |
|  | SG 11181 Installation profile |  | SG 11460 Cover for Hirschmann plug |  | SG 11545 Bracket right 110 mm |
|  | SG 11182 Side guide wire holder |  | SG 11480 Radio wall transmitter 1 channel | | |
|  | SG 11183 Connection bolt |  | SG 11490 Radio wall transmitter 5+1 channel | | |
|  | SG 11184 Connection bracket cover |  | SG 11530 Installation profile fascia 110 mm | | |
|  | SG 11195 Connection tube adapter |  | SG 11531 Fascia round 110 mm | | |
|  | SG 11251 Tubular motor 24V DC, 50-Series S 3/32 |  | SG 11532 Fascia square 110 mm | | |
|  | SG 11260 Gateway Cedia |  | SG 11533 Box case 110 mm | | |

SG 4880



PRODUCT INFORMATION

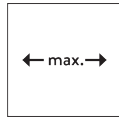
- **Operation:** motorised
- **Range:** L
- **Fitting:** ceiling, wall, recess
- **Colours:** white RAL 9016 or anodised aluminum, special colours possible
- **Fabrics:** refer to Silent Gliss fabric collection

Features:

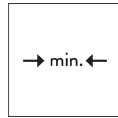
- Quiet and fast motors
- Soft stop
- Various control options
- Stainless steel brackets, adjustable for vertical alignment of fabric

SYSTEM SPECIFICATIONS

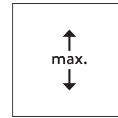
A. SYSTEM DIMENSIONS



Tube SG 4957: 5 m
Tube SG 4901: 4 m



72 cm*
*see motor specification table



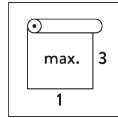
Tube SG 4957: 9 m
Tube SG 4901: 12 m



36 m²



23 kg



Recommended width /
height ratio
max. 1:3

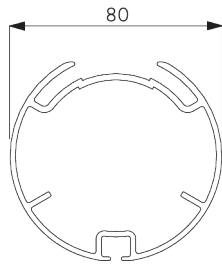
Maximum surface area

| B ↓ | A → | | | | | | | | ● SG 4901 (ø 80 mm) |
|--------|-----|-------|-----|------------------------|-----|-------|-----|--|-------------------------|
| | 2 m | 2.5 m | 3 m | 3.5 m | 4 m | 4.5 m | 5 m | | |
| 2 m | ● | ● | ● | ● | ○ | ○ | ○ | | |
| 2.5 m | ● | ● | ● | ● | ○ | ○ | ○ | | |
| 3 m | ● | ● | ● | ● | ○ | ○ | ○ | | |
| 3.5 m | ● | ● | ● | ● | ○ | ○ | ○ | | |
| 4 m | ● | ● | ● | ● | ○ | ○ | ○ | | |
| 4.5 m | ● | ● | ● | ● | ○ | ○ | ○ | | |
| 5 m | ● | ● | ● | ● | ○ | ○ | ○ | | |
| 5.5 m | ● | ● | ● | ● | ○ | ○ | ○ | | |
| 6 m | ● | ● | ● | ● | ○ | ○ | ○ | | |
| 6.5 m | ● | ● | ● | ● | ○ | ○ | ○ | | |
| 7 m | ● | ● | ● | ● | ○ | ○ | ○ | | |
| 7.5 m | ● | ● | ● | ● | ○ | ○ | | | |
| 8 m | ● | ● | ● | ● | ○ | ○ | | | |
| 8.5 m | ● | ● | ● | ● | ○ | | | | |
| 9 m | ● | ● | ● | ● | ○ | | | | |
| 9.5 m | ● | ● | ● | ● | | | | | |
| 10 m | ● | ● | ● | ● | | | | | |
| 10.5 m | ● | ● | ● | | | | | | |
| 11 m | ● | ● | ● | | | | | | |
| 11.5 m | ● | ● | ● | max. 36 m ² | | | | | |
| 12 m | ● | ● | ● | | | | | | |



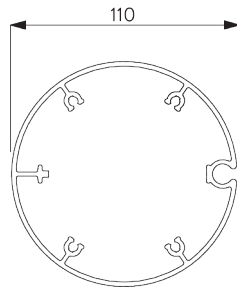
B. PROFILE

Profile information



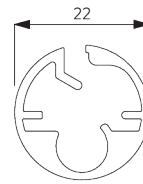
SG 4901

Tube ø 80 mm



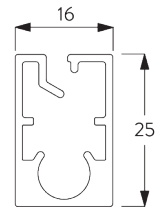
SG 4957

Tube ø 110 mm



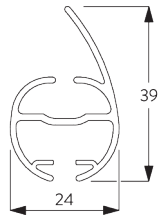
SG 10760

Bottom bar



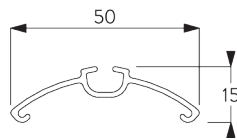
SG 10770

Bottom bar



SG 4903

Bottom bar

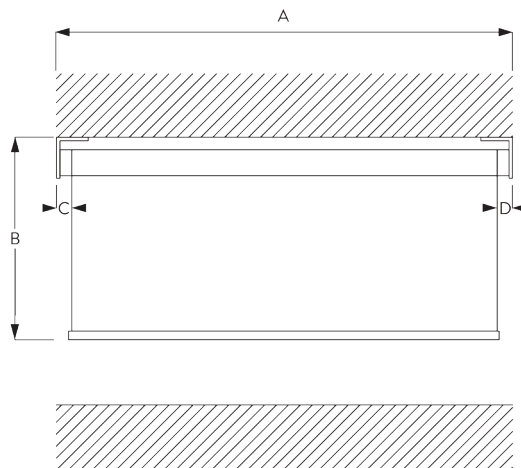


SG 4902

Profile

C. HOW TO MEASURE

incl. bracket covers
(15 mm)



A: System width
B: System height

Tube SG 4901 (ø 80 mm):
C: Light gap: 44 mm
D: Light gap operation side: 50 mm

Tube SG 4957 (ø 110 mm):
C: Light gap: 42 mm
D: Light gap operation side: 52 mm

Note:
Different light gaps see motor specifications.
All measurements include 15 mm for bracket cover per side!

D. SPECIFICATION

TEXT

EN

Silent Gliss SG 4880 Electrically Operated Roller Blind System. Roller blind system for heavy and large size blind applications up to 5m wide. Supplied made to measure and complete comprising anodised aluminium barrel SG 4901 (80mm tube) / SG 4957 (110mm tube) and stainless steel bracket combination set SG 4949. Fix to wall / ceiling / inside recess. Incorporating Silent Gliss patented Quick Twist SG 4902 for easy on-site adjustment of the fabric roll up (80mm tube only). Assembled with powder coated white finish aluminium bottom weight bar SG 4903. Integral 230v motor SG 10326 / (SG 10327 with radio receiver). Operation by mains switch (not supplied), by remote control or mains switching by third party control system. All wiring to be strictly in accordance with Silent Gliss wiring diagrams. Fabric to be chosen from the Silent Gliss fabric range, Price Group 1-4.

SV

Silent Gliss SG 4880 rullgardinsystem med motor. Rullgardinsystem för installationer upp till 5 m bredd. Levereras komplett i specificerat mått innefattande anodiserat rör SG 4901, 80 mm / SG 4957, 110 mm. Vegg/tak och nischmontering med fästen set SG 4949. Inkl. Silent Gliss patenterad funktion Quick Twist SG 4902 för enkel justering på plats av upprulling på 80 mm tub. Sidewire som tillbehör. Monterad pulverlackerad tyngdprofil i aluminium i finish vitt/alu SG 4903. Integrerad 230V motor SG 10326/ (SG 10327 radiomottagare) vänster / höger sida. Styrning via väggkontakt(ej inkluderad), via fjärrkontroll eller via externt styrsystem. All elinstallation skall följa Silent Gliss kopplingschema. Textil från Silent Gliss textilprogram i prisgrupp 1-4.

NO

Silent Gliss SG 4880 rullegardinsystem med motor. Rullegardinsystem for maks. bredde på 5 meter. Leveres komplett på spesialmål med anodisert rør integrert, SG4901, 80 mm / SG 4957, 110mm. Tak-, vegg- og nischmontering med feste SG4902. Inkl. Silent Gliss patentert funksjon Quick Twist SG 4902 for enkel justering på stedet av opprulling på 80mm rør. Sidewire som tilbehør. Monteret pulverlakkert tyngdeprofil i aluminium i finish hvit og alu SG 4903. Integrert 230V motor SG10326 / (SG 10329 radiomottaker) venstre/høyre side. Styring via veggkontroll (ikke inkludert), fjernkontroll eller via eksternt styringssystem. Alle elektriske installasjoner skal utføres i.h.t. Silent Gliss koblingsskjema. Tekstil fra Silent Gliss kolleksjon i prisgruppe 1-4.

DA

Silent Gliss SG 4880 elektrisk rullegardinsystem. Rullegardinsystem til tunge og store installationer med op til 5 m bredde. Leveres i ønsket længde og samlet, bestående af anodiseret aluminiumrør SG 4901 (80 mm rør) / SG 4957 (110 mm rør) og beslag af rustfrit stål, kombinationssæt SG 4949. Fastgjort til væg / loft / indfældet. Bruger det Silent Gliss patenterede Quick Twist SG 4902, så stofrullen nemt kan justeres på stedet (kun for 80 mm rør). Monteret med hvid pulverlakeret tyngdeprofil af aluminium SG 4903. Integreret 230 V motor SG 10326 / (SG 10327 med radiomodtager). Styres med lysnetkontakt (medfølger ikke), med fjernbetjening eller lysnetkontakt fra tredjepart system. Al ledningsføring skal udelukkende vælges i henhold til Silent Gliss ledningsdiagrammer. Stoffet vælges fra Silent Gliss stofprogrammet, prisgruppe 1-4.

FITTING

A. FITTING INFORMATION

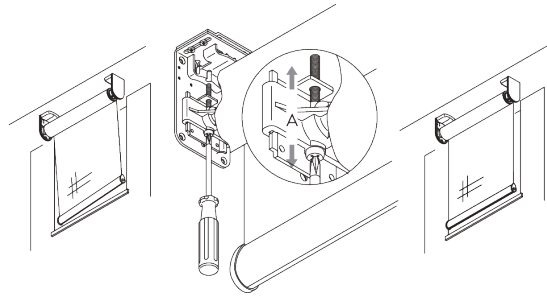
Fixing points

For detailed fitting information, visit the Silent Gliss website.



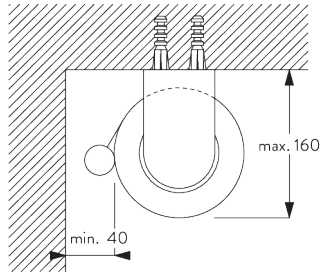
*30 mm without cover
*43 mm with cover

**Adjustable brackets
(for vertical
adjustments)**

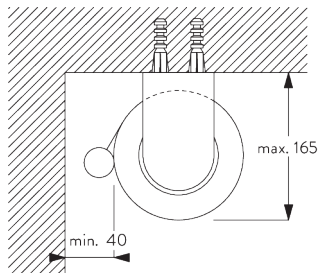


Vertical adjustment of fabric to the window frame.

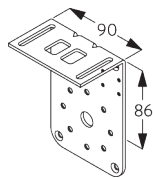
B. CEILING FITTING



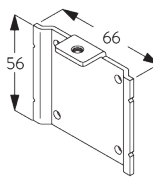
Tube SG 4901 (ø 80 mm)



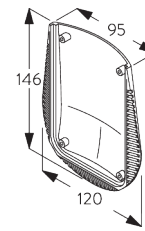
Tube SG 4957 (ø 110 mm)



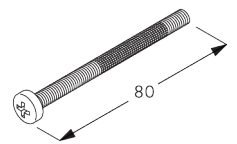
SG 4904
Bracket (set SG 4949)



SG 4906
Plate (set SG 4949)

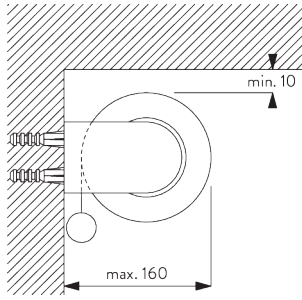


SG 4956
Bracket cover

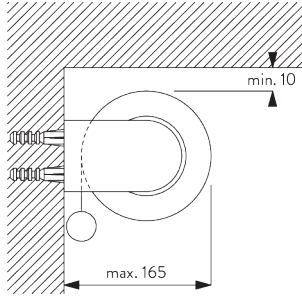


SG 4966
Special screw (set SG 4949)

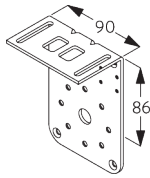
C. WALL FITTING



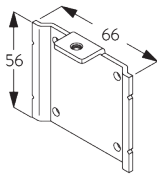
Tube SG 4901 (ø 80 mm)



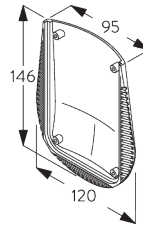
Tube SG 4957 (ø 110 mm)



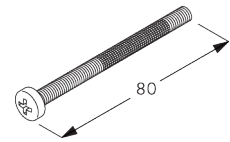
SG 4904
Bracket (set SG 4949)



SG 4906
Plate (set SG 4949)

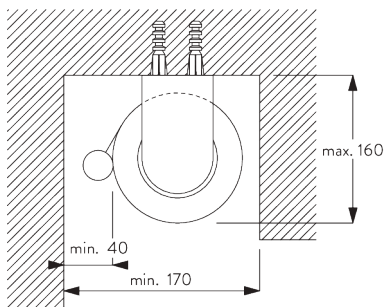


SG 4956
Bracket cover

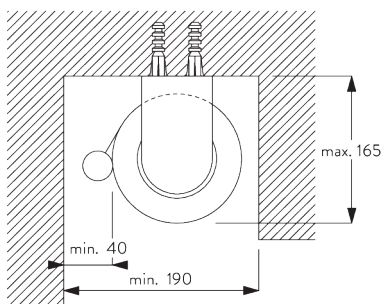


SG 4966
Special screw (set SG 4949)

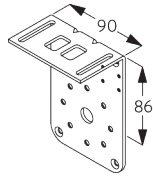
D. RECESS FITTING



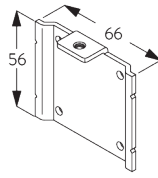
Tube SG 4901 (ø 80 mm)



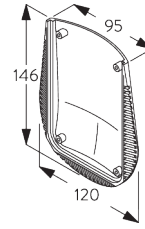
Tube SG 4957 (ø 110 mm)



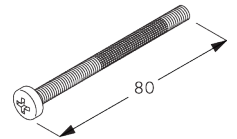
SG 4904
Bracket (set SG 4949)



SG 4906
Plate (set SG 4949)

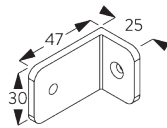
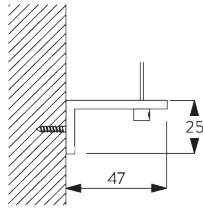


SG 4956
Bracket cover

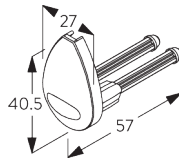


SG 4966
Special screw (set SG 4949)

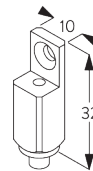
**E. FITTING WITH
SIDE GUIDE
OPTION**



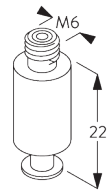
SG 3036
Bracket 47 mm



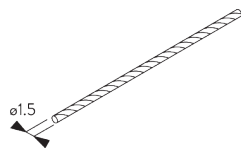
SG 4944
Side guide end cover



SG 4946
Side guide wire rope fastener



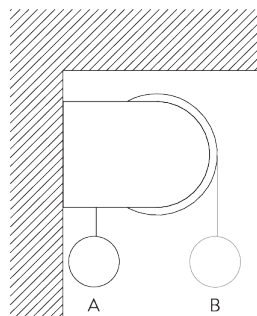
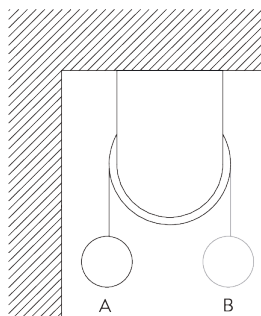
SG 4947
Side guide wire rope fastener



SG 4948
Side guide wire ø 1.5 mm

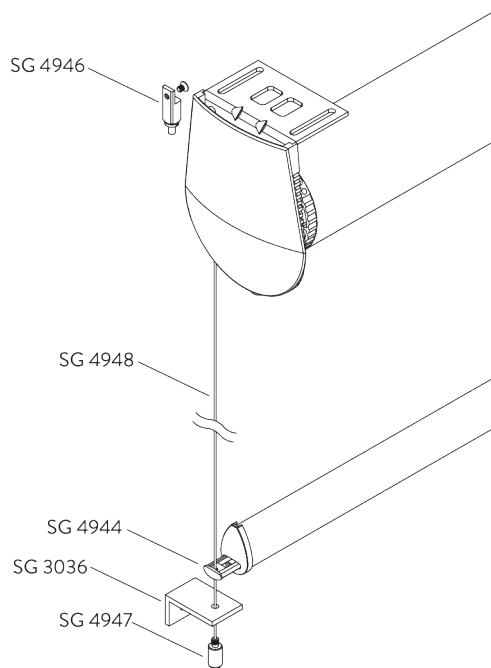
SYSTEM OPTIONS

A. FABRIC ROLL-OFF



A: Fabric roll-off window side (standard)
B: Fabric roll-off room side (option)

B. SIDE GUIDES



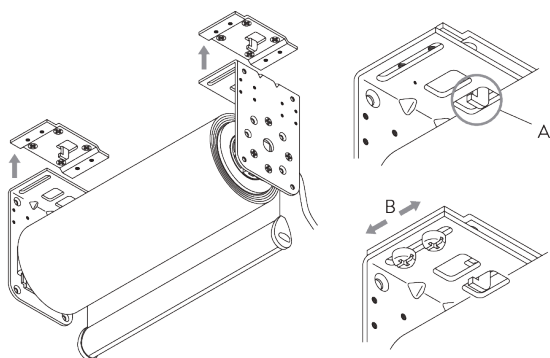
Additional parts:

- 2x SG 3036 Bracket 47 mm
- 2x SG 4944 Side guide end cover
- 2x SG 4946 Side guide wire rope fastener
- 2x SG 4947 Side guide wire rope fastener
- 2x SG 4948 Side guide wire \varnothing 1.5 mm

Note:

- Light gaps increase when side-guide option is used
- Up to 15° from vertical

C. HOOK-IN INSTALLATION PLATES



A: Hook-in plates SG 4972 take the weight of the blind

B: Brackets sideways adjustable by up to 18 mm.

MOTORS & CONTROLS

A. MOTOR FEATURES

| Motors | 50-Series | 20-Series | 20-Series |
|--------|-----------|-----------|-----------|
| | SG 11255 | SG 10327 | SG 10326 |

Motor Features

| | | | |
|--|-------|-------|-------|
| Soft stop | ● | ● | ● |
| Electronic end-stop | ● | ● | ● |
| Electronic revolution counter (unlimited revolution) | ● | ● | ● |
| Two intermediate positions possible | | ● | |
| Bottom bar alignment | ● | | |
| Noiseless stop | | ● | ● |
| Parallel wiring possible without additional relays | | ● | ● |
| Disconnectable motor cable | ● | ● | ● |
| IP class | IP 30 | IP 44 | IP 44 |

Control Features

| | | | |
|---|---|---|---|
| Mains power control | | | ● |
| SG Control L (built-in receiver) | | ● | |
| Smart by Silent Gliss | ● | | |
| Suitable for most major home automation systems (with suitable interface) | | ● | ● |

B. MOTOR SPECIFICATIONS

Tube SG 4901

| Motors | Light gaps C / D = driving side | Min. system width | Voltage | Current | Frequency | Speed | Frequency receiver |
|--|------------------------------------|----------------------|----------|---------|-----------|--------|-----------------------|
| 50-Series (Smart by Silent Gliss) | | | | | | | |
| SG 11255 | C: 44 mm / D: 51 mm | 74 cm | 24 V DC | 2.95 A | - | 20 rpm | - |
| 20-Series | | | | | | | |
| SG 10326 (standard) | C: 44 mm / D: 50 mm | 72 cm | 230 V AC | 0.9 A | 50 Hz | 23 rpm | - |
| SG 10327 | C: 44 mm / D: 50 mm | 72 cm | 230 V AC | 0.9 A | 50 Hz | 23 rpm | 868/915 MHz |

Tube SG 4957

| Motors | Light gaps C / D = driving side | Min. system width | Voltage | Current | Frequency | Speed | Frequency receiver |
|--|------------------------------------|----------------------|----------|---------|-----------|--------|-----------------------|
| 50-Series (Smart by Silent Gliss) | | | | | | | |
| SG 11255 | C: 42 mm / D: 54 mm | 74 cm | 24 V DC | 2.95 A | - | 20 rpm | - |
| 20-Series | | | | | | | |
| SG 10326 (standard) | C: 42 mm / D: 52 mm | 73 cm | 230 V AC | 0.9 A | 50 Hz | 23 rpm | - |
| SG 10327 | C: 42 mm / D: 52 mm | 73 cm | 230 V AC | 0.9 A | 50 Hz | 23 rpm | 868/915 MHz |

C. OPERATING METHODS

See catalogue "controls" for details.

Wall Switch



System can be operated by fixed wall switch.

SG Control L



Various radio hand-held and wall transmitters available.



Silent Gliss Move App.

Smart by Silent Gliss



Open designed two-way communication system which allows to flawlessly integrate products with most major building management systems.

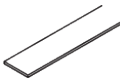
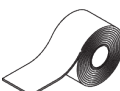


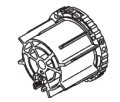
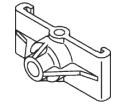

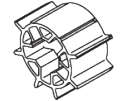
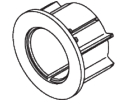
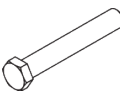
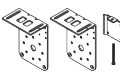

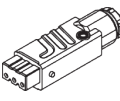
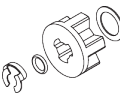
D. WIRING
DIAGRAMS


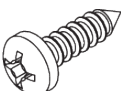
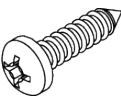
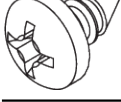
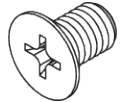




Refer to Silent Gliss website.

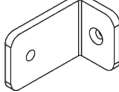

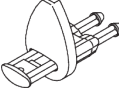
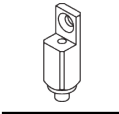


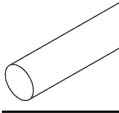
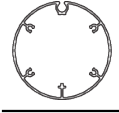
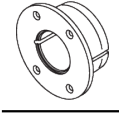
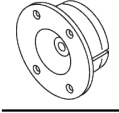

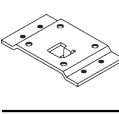
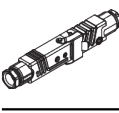
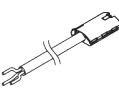
PARTS

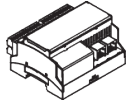
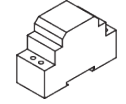
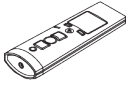
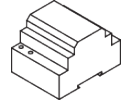
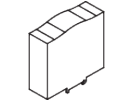
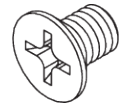
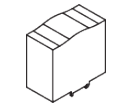
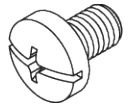
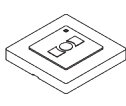
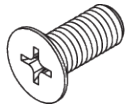
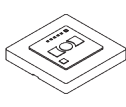
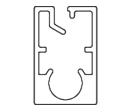
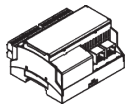
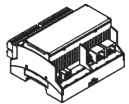
A. STANDARD PARTS

| | |
|---|--|
|  | SG 4223 PVC strip 14 mm |
|  | SG 4226 Double tape 30 mm |
|  | SG 4901 Tube ø 80 mm |
|  | SG 4902 Profile |
|  | SG 4914 Tube adapter |
|  | SG 4915 Support |
|  | SG 4926 Motor flange |
|  | SG 4927 Motor drive |
|  | SG 4928 Tube adapter |
|  | SG 4939 Shaft |
|  | SG 4949 Bracket set |
|  | SG 4956 Bracket cover |
|  | SG 9917 Hirschmann portable socket-outlet STAK 3 N |
|  | SG 10292 Motor drive set |

| | |
|---|---|
|  | SG 10326 Tubular motor 230V AC, 20 Series M 12/23 |
|  | SG 10503 Pan head screw 3.5x13 |
|  | SG 10506 Pan head screw 3.9x16 |
|  | SG 10507 Pan head screw 3.5x6.5 |
|  | SG 10509 Countersunk head screw M5x8 |
|  | SG 10760 Bottom bar |
|  | SG 10761 End cover |

B. OPTIONAL PARTS

| | |
|---|---|
|  | SG 3036 Bracket 47 mm |
|  | SG 4903 Bottom bar |
|  | SG 4944 Side guide end cover |
|  | SG 4946 Side guide wire rope fastener |
|  | SG 4947 Side guide wire rope fastener |
|  | SG 4948 Side guide wire ø 1.5 mm |
|  | SG 4951 Bottom weight ø 8 mm |
|  | SG 4957 Tube ø 110 mm |
|  | SG 4959 Tube adapter |
|  | SG 4961 Tube adapter |
|  | SG 4962 Motor drive |
|  | SG 4972 Installation plate |
|  | SG 9916 Hirschmann plug set |
|  | SG 10293 Cable 230V AC, 2/3/5/10 m |

**SG 10300***Radio hand held 1 channel***SG 11262***Expansion unit***SG 10302***Radio hand held 5+1 channel***SG 11263***Power supply 24V DC, 2 Ampere
DIN Rail***SG 10303***Radio hand held 10+2+1 channel***SG 11264***Power supply 24V DC, 3.8 Ampere
DIN Rail***SG 10327***Tubular motor 230V AC, 20 Series
M 12/23, radio receiver***SG 11265***Power supply 24V DC, 5 Ampere
DIN Rail***SG 10502***Countersunk head screw M4x6***SG 11266***Power supply 24V DC, 10 Ampere
DIN Rail***SG 10504***Pan head screw Freedrive M5x8***SG 11480***Radio wall transmitter 1 channel***SG 10508***Countersunk head screw M5x12***SG 11490***Radio wall transmitter 5+1 channel***SG 10770***Bottom bar***SG 10771***End cover***SG 10804***Radio hand held 15+5+1 channel***SG 11178***End cover***SG 11255***Tubular motor 24V DC, 50-Series
M 10/20***SG 11260***Gateway Cedia***SG 11261***Gateway KNX*

The Architects of Silence

Silent Gliss is the leading global supplier of premium interior window treatments. Since 1952 we have been tirelessly committed to the development of the worlds` smoothest, quietest systems using state of the art technology.

Driven by customer needs, Silent Gliss offers functional and durable products. Expert technical advice coupled with installation and support services complete the offer. Silent Gliss stands for innovative, sustainable, tailor made solutions, exceptional design and first-class quality.

Oy Vallila Contract Ab

Nilsjängkatu 15

FI-00510 Helsinki

T +358 (0)20 776 7700

F +358 (0)20 776 7701

silentgliss@vallilainterior.fi

silentgliss.fi