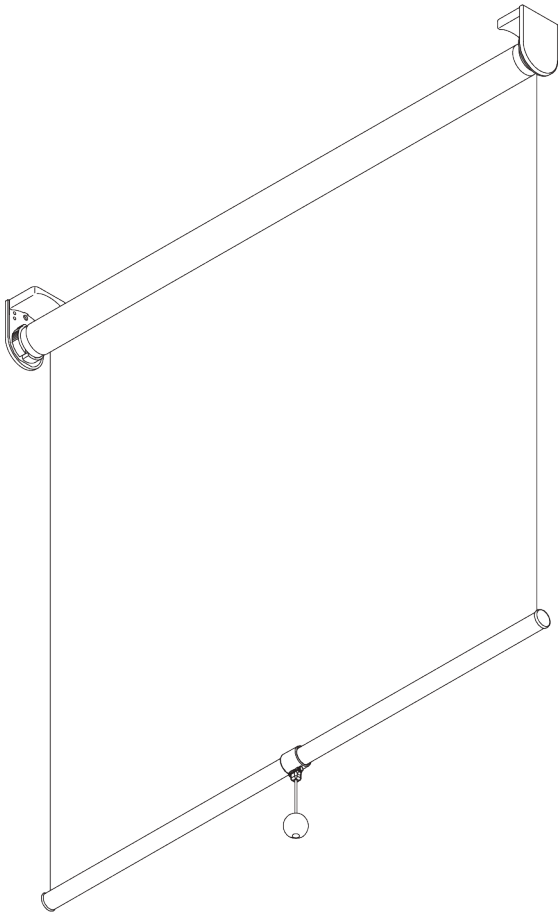
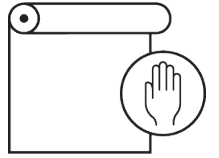


# SG 4900

---



## PRODUCT INFORMATION

- **Operation:** spring
- **Range:** S - M
- **Fitting:** ceiling, wall, recess
- **Colours:** white RAL 9016, special colours possible
- **Fabrics:** refer to Silent Gliss fabric collection

### **Features:**

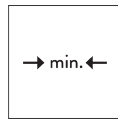
- Speed controller for controlled ascent
- Stop clutch mechanism to stop at any position
- Click-in brackets
- Installation profile
- End stop controller

# SYSTEM SPECIFICATIONS

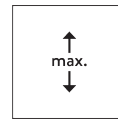
## A. SYSTEM DIMENSIONS



2 m



30 cm



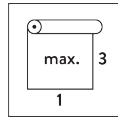
3 m



6 m<sup>2</sup>



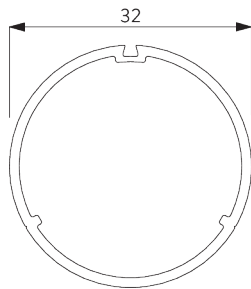
2.2 kg



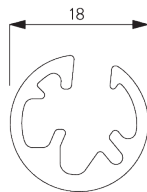
Recommended width /  
height ratio  
max. 1:3

## B. PROFILE

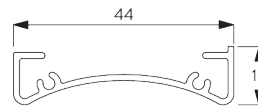
Profile information



**SG 4227**  
Tube ø 32 mm

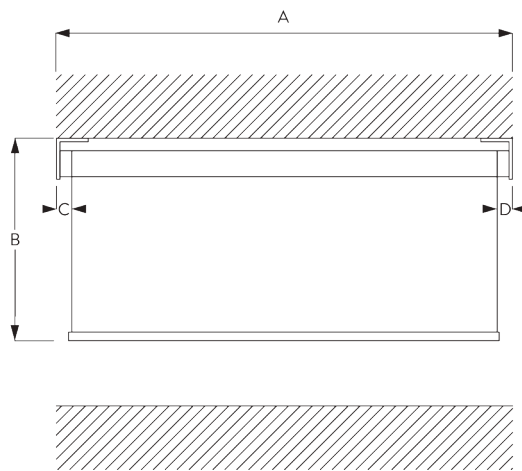


**SG 10872**  
Bottom bar



**SG 10534**  
Installation profile

## C. HOW TO MEASURE



A: System width  
B: System height  
C: Light gap left side: 15 mm  
D: Light gap right side: 15 mm

Note:  
All measurements include 2 mm for bracket cover per side!

## D. SPECIFICATION

### TEXT

#### EN

Silent Gliss SG 4900 Spring Operated Roller Blind System. Roller blind system applications up to 2.0 m wide. Supplied made to measure and complete comprising anodised aluminium barrel SG 4227, 32 mm. Ceiling fix with brackets SG 10987 / SG 10989 / wall fix with brackets SG 10987 / SG 10990 / recess fix with brackets SG 10989 / SG 10991. Optional installation profile SG 10534. Available with optional stop controller SG 4377 to enable exact stop position of the blind. Assembled with powder coated aluminium bottom weight bar SG 4221 / 10633 / 10634 in white, silver or black finish. Spring to be specified according to weight and characteristics of fabric. Fabric to be chosen from the Silent Gliss fabric range, Price Groups 1-4.

#### SV

Silent Gliss SG 4900 fjädermanövrerat rullgardinsystem. Rullgardinsystem för installationer med max. breddmått 2 m. Levereras komplett i specificerat mått innefattande anodiserat rör SG4227, 32 mm. Takmontage med SG 10987 / SG 10989 / väggmontering med fästen SG 10987 / SG 10990 / infälld montering med fästen SG 10989 / SG 10991. Alternativt med installationsprofil SG 10534. Tillbehör SG 4377 för att bestämma exakt ändläge nertill/upptill. Monterad tyngdprofil i aluminium i finish vitt/alu/svart med SG 4221 / 10633 / 10634). Fjäder anpassas efter vikt och typ av textil. Textil från Silent Gliss textilprogram i prisgrupp 1-4.

#### NO

Silent Gliss SG 4900 Fjærbetjent rullegardinsystem. Rullegardinsystem for maks. bredde på 2 meter. Leveres komplett på spesialmål med anodisert rør integrert, SG4227, 32mm. Takmontering med SG10987 / SG10989 / veggmontering med feste SG 10987 / SG 10990 / innfelt montering med feste SG10989/SG 10990. Alternativt med installasjonsprofil SG 10534. SG 4377 brukes for å justere eksakt endeosisjon oppe/nede. Montert tyngdeprofil i aluminium i finish hvit/alu/svart med SG 4221 / 10633 / 10634. Fjær tilpasset vekt og type av tekstil. Tekstil fra Silent Gliss kolleksjon i prisgruppe 1-4.

#### DA

Silent Gliss SG 4900 fjederstyret rullegardinsystem. Rullegardinsystemer til installationer med op til 2,0 m bredde. Leveres i ønsket længde og samlet. Består af anodiseret aluminiumrør SG 4227, 32 mm. Fastgøres i loftet med beslagene SG 10987 / SG 10989 eller fastgøres i væggen med beslagene SG 10987 / SG 10990. Kan også indfældes med beslagene SG 10989 / SG 10991. Alternativt med installationsprofil SG 10534. Valgfri stopstyring SG 4377 for at bestemme rullegardinets nøjagtige stop-position. Monteret med pulverlakeret tyngdeprofil af aluminium SG 4221 / 10633 / 10634 med hvid, sølv eller sort finish. Fjederen tilpasses efter vægt og type af stoffet. Stoffet vælges fra Silent Gliss stofprogrammet, prisgrupper 1-4.

# FITTING

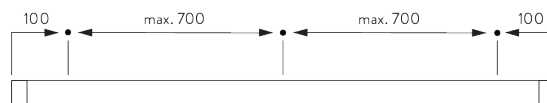
## A. FITTING INFORMATION

### Fixing points

For detailed fitting information, visit the Silent Gliss website.

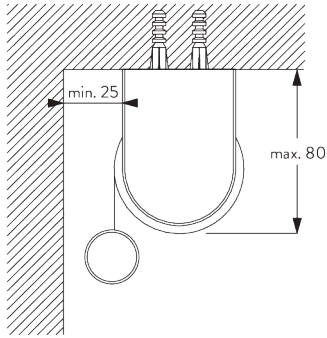


Brackets (wall / ceiling)



Installation profile SG 10534 (wall / ceiling)

## B. CEILING FITTING

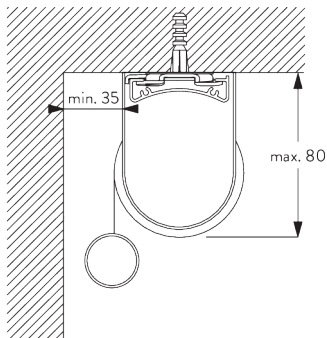


### Brackets

Bracket SG 10989: window rolling side of fabric

Bracket SG 10991: room rolling side of fabric

Bracket SG 10987

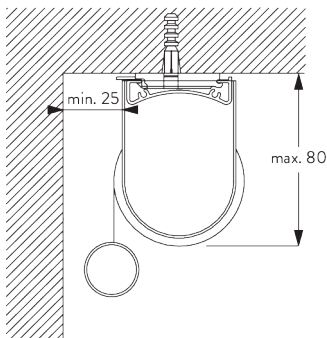


### Installation profile SG 10534 and clamps SG 3033 or SG 3044

Bracket SG 10989: window rolling side of fabric

Bracket SG 10991: room rolling side of fabric

Bracket SG 10987

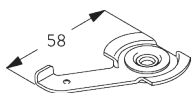


### Installation profile SG 10534 and click bracket SG 10539

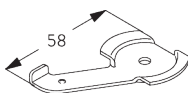
Bracket SG 10989: window rolling side of fabric

Bracket SG 10991: room rolling side of fabric

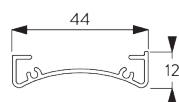
Bracket SG 10987



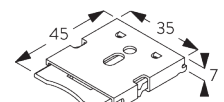
**SG 3033**  
Clamp



**SG 3044**  
Clamp



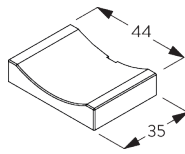
**SG 10534**  
Installation profile



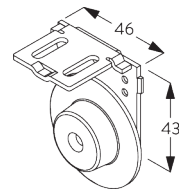
**SG 10539**  
Bracket



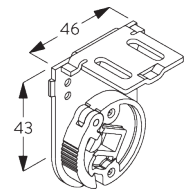
**SG 10574**  
Bracket cover



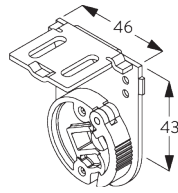
**SG 10575**  
Bracket cover



**SG 10987**  
Bracket

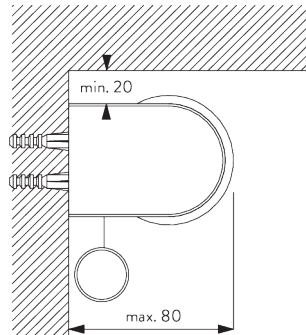


**SG 10989**  
Bracket



**SG 10991**  
Bracket

### C. WALL FITTING

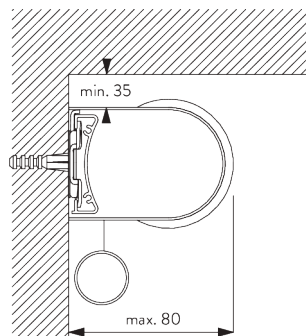


#### **Brackets**

Bracket SG 10990: window rolling side of fabric

Bracket SG 10992: room rolling side of fabric

Bracket SG 10987

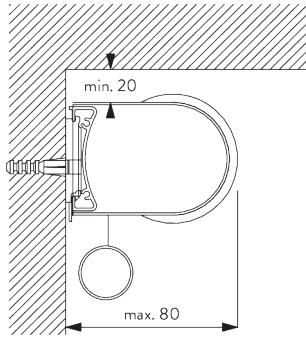


#### **Installation profile SG 10534 and clamps SG 3033 or SG 3044**

Bracket SG 10990: window rolling side of fabric

Bracket SG 10992: room rolling side of fabric

Bracket SG 10987

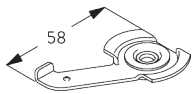


**Installation profile SG 10534 and click bracket SG 10539**

Bracket SG 10990: window rolling side of fabric

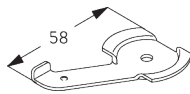
Bracket SG 10992: room rolling side of fabric

Bracket SG 10987



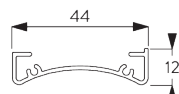
**SG 3033**

Clamp



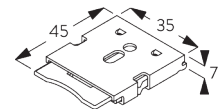
**SG 3044**

Clamp



**SG 10534**

Installation profile



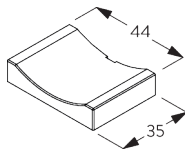
**SG 10539**

Bracket



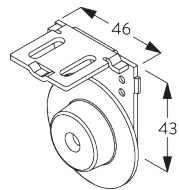
**SG 10574**

Bracket cover



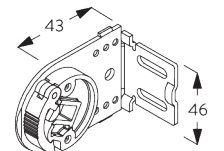
**SG 10575**

Bracket cover



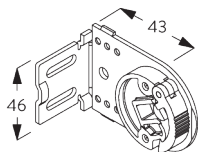
**SG 10987**

Bracket



**SG 10990**

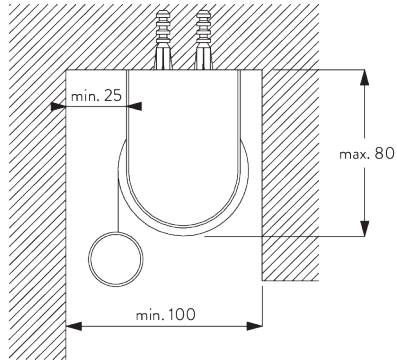
Bracket



**SG 10992**

Bracket

## D. RECESS FITTING

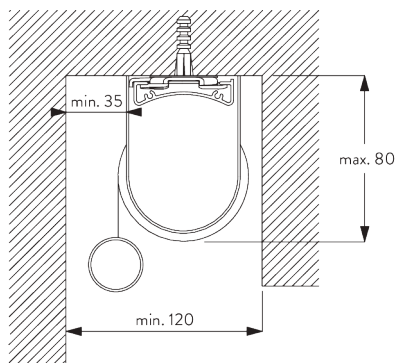


### **Brackets**

*Bracket SG 10989: window rolling side of fabric*

*Bracket SG 10991: room rolling side of fabric*

*Bracket SG 10987*

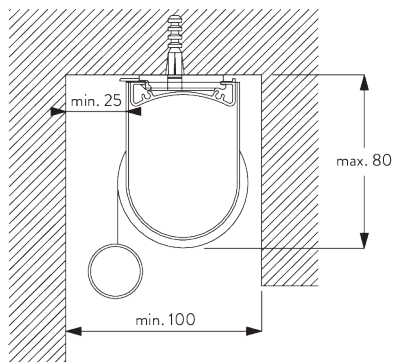


### **Installation profile SG 10534 and clamps SG 3033 or SG 3044**

*Bracket SG 10989: window rolling side of fabric*

*Bracket SG 10991: room rolling side of fabric*

*Bracket SG 10987*

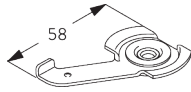


### **Installation profile SG 10534 and click bracket SG 10539**

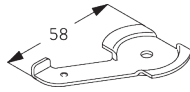
*Bracket SG 10989: window rolling side of fabric*

*Bracket SG 10991: room rolling side of fabric*

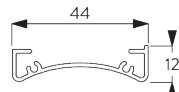
*Bracket SG 10987*



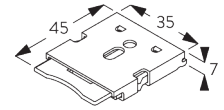
**SG 3033**  
Clamp



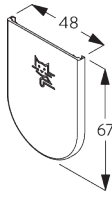
**SG 3044**  
Clamp



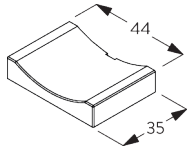
**SG 10534**  
Installation profile



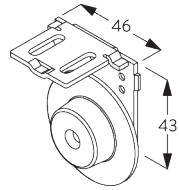
**SG 10539**  
Bracket



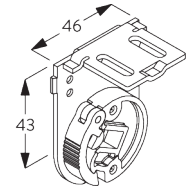
**SG 10574**  
Bracket cover



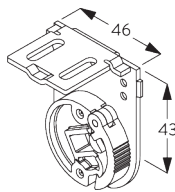
**SG 10575**  
Bracket cover



**SG 10987**  
Bracket



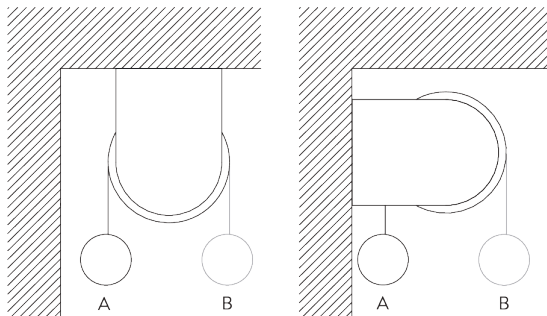
**SG 10989**  
Bracket



**SG 10991**  
Bracket

# SYSTEM OPTIONS

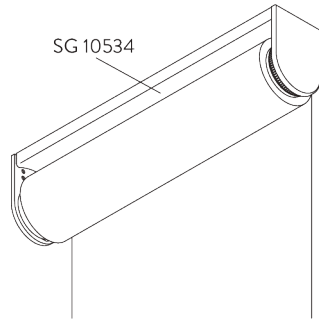
## A. FABRIC ROLL-OFF



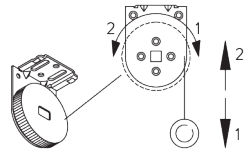
A: Fabric roll-off window side (standard)  
B: Fabric roll-off room side (option)



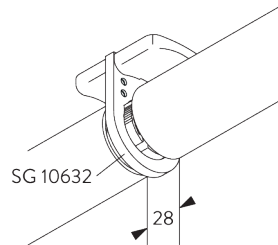
**B. INSTALLATION**  
**PROFILE**



**C. ADJUSTABLE END**  
**STOP**

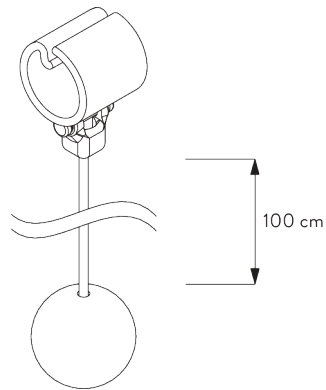


**D. TWO SINGLE**  
**SYSTEMS SIDE-BY-**  
**SIDE**



Additional parts:  
- 1x SG 10632 Connection bracket cover

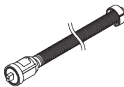
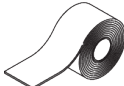
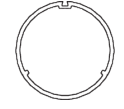
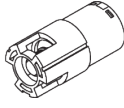
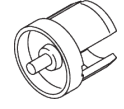

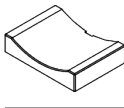
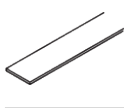
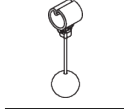


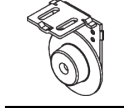

**E. CHILD SAFETY**  
**PULL BALL SET**



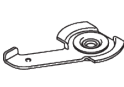
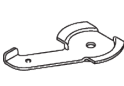
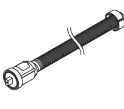
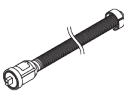
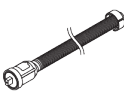
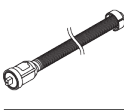
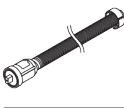
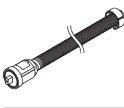
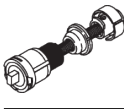
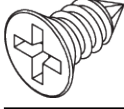

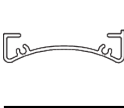
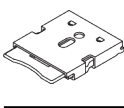

Child safety pull ball set SG 10765

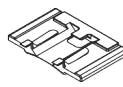


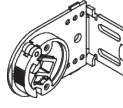

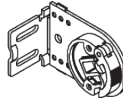
# PARTS

## A. STANDARD PARTS

	<b>SG 4214</b> Spring C 552 mm
	<b>SG 4226</b> Double tape 30 mm
	<b>SG 4227</b> Tube ø 32 mm
	<b>SG 4228</b> Speed controller right
	<b>SG 4231</b> Tube adapter
	<b>SG 10574</b> Bracket cover
	<b>SG 10575</b> Bracket cover
	<b>SG 10668</b> PVC strip 10 mm
	<b>SG 10765</b> Child safety pull ball
	<b>SG 10872</b> Bottom bar
	<b>SG 10874</b> End cover
	<b>SG 10987</b> Bracket
	<b>SG 10989</b> Bracket

## B. OPTIONAL PARTS

	<b>SG 3033</b> Clamp
	<b>SG 3044</b> Clamp
	<b>SG 4212</b> Spring A 365 mm
	<b>SG 4213</b> Spring B 442 mm
	<b>SG 4215</b> Spring D 612 mm
	<b>SG 4216</b> Spring E 502 mm
	<b>SG 4217</b> Spring F 612 mm
	<b>SG 4218</b> Spring Y-2 198 mm
	<b>SG 4377</b> End stop
	<b>SG 10139</b> Countersunk screw 2.9x6.5
	<b>SG 10498</b> Countersunk screw 2.9x9.5
	<b>SG 10534</b> Installation profile
	<b>SG 10539</b> Bracket
	<b>SG 10632</b> Connection bracket cover

	<b>SG 10690</b> Spacer
	<b>SG 10707</b> End stop
	<b>SG 10988</b> Bracket end stop
	<b>SG 10990</b> Bracket
	<b>SG 10991</b> Bracket
	<b>SG 10992</b> Bracket



