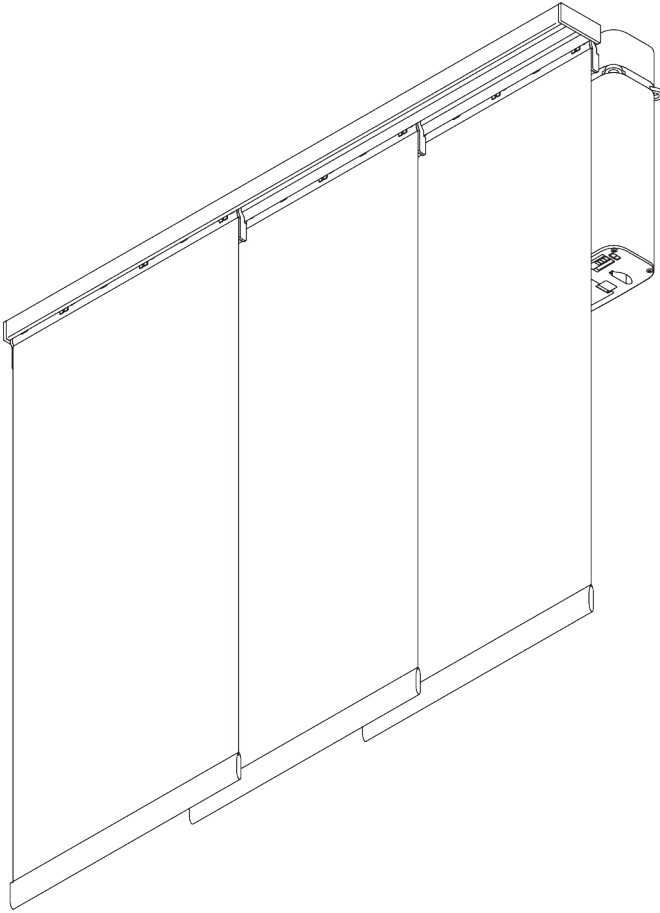
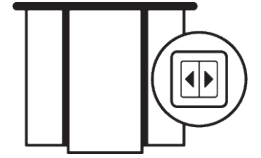


SG 2750



PRODUCT INFORMATION

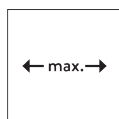
- **Operation:** motorised
- **Range:** S - L
- **Fitting:** ceiling
- **Colours:** white RAL 9016 or anodised aluminum, special colours possible
- **Fabrics:** refer to Silent Gliss fabric collection

Features:

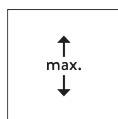
- 2-component (2C) roller technology
- Silent and smooth running
- Aluminium carriers
- Applicable with electric curtain track system SG 5100 or SG 5600

SYSTEM SPECIFICATIONS

A. SYSTEM DIMENSIONS



6 m



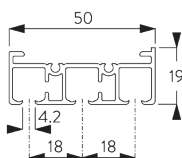
4 m



max. 2 kg per m

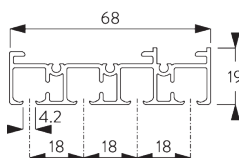
B. PROFILE

Profile information



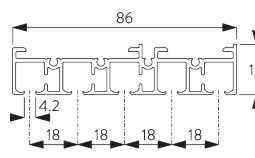
SG 10123

Profile 3-channel



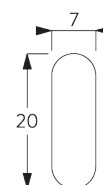
SG 10124

Profile 4-channel



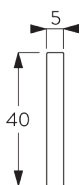
SG 10125

Profile 5-channel



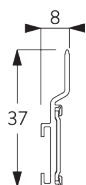
SG 2004

Bottom bar 20x7 mm



SG 2005

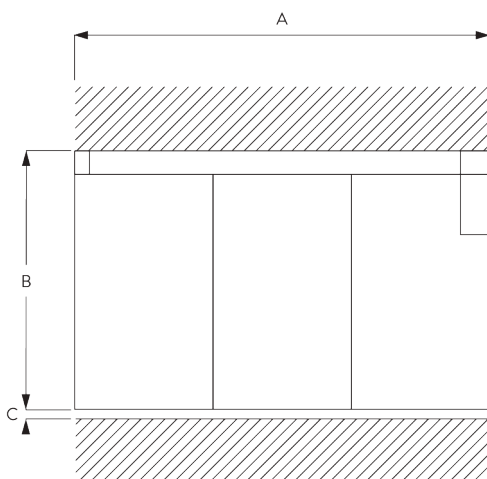
Bottom bar 40x5 mm



SG 10230

Carrier alu

C. HOW TO MEASURE

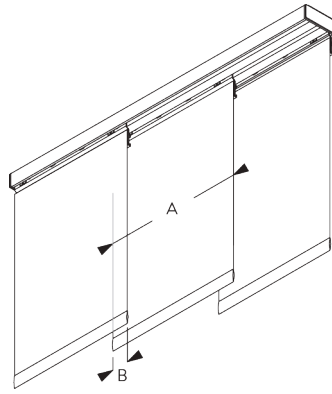


A: System width

B: System height

C: Distance between floor and fabric

Dimensions of Panels



A: Recommended panel width: 500 - 1200

B: Overlap: min. 50

D. SPECIFICATION

TEXT

EN

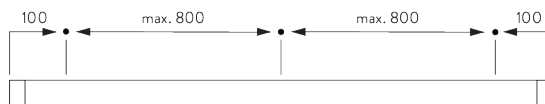
Silent Gliss SG 2750 Electrically Operated Panel Glide System. Supplied made to measure and complete comprising profiles SG 10123 / SG 10124 / SG 10125 as necessary with carriers SG 10230 with associated components and bottom weight SG 2006. Fabric panels stack right hand single / left hand single / pair / centre. Electrically operated (incorporating electric curtain track system SG 5600). Ceiling fixed using clamps SG 3003 / SG 3004. Fabric to be chosen from Silent Gliss fabric collection, Price Group 1 / 2 / 3 / 4.

FITTING

A. FITTING INFORMATION

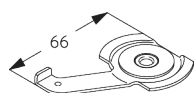
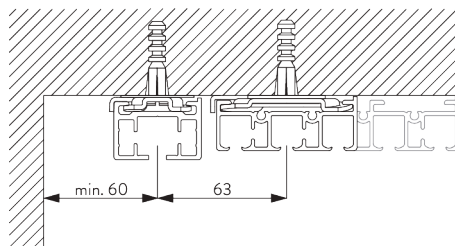
For detailed fitting information, visit the Silent Gliss website.

Fixing points

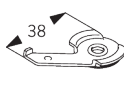


B. CEILING FITTING

With SG 5600

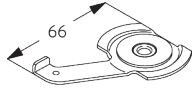
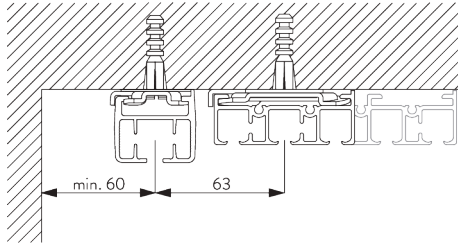


SG 3003
Clamp



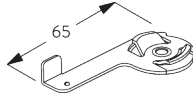
SG 3004
Clamp

With SG 5100



SG 3003

Clamp

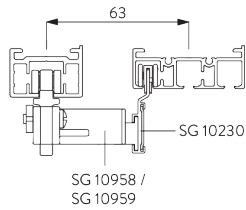
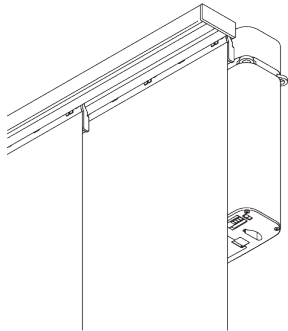


SG 10926

Clamp

SYSTEM OPTIONS

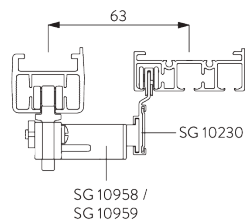
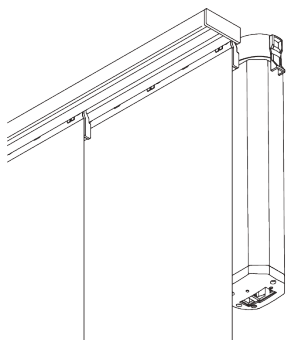
A. MOTORISATION



Motorised with SG 5600

- Single stack systems: carrier SG 10958
- Pair stack systems: carriers SG 10958 / SG 10959

For further details refer to the electric curtain track catalogue.



Motorised with SG 5100

- Single stack systems: carrier SG 10958
- Pair stack systems: carriers SG 10958 / SG 10959

For further details refer to the electric curtain track catalogue.

B. PANEL STACKING



Single stack

Note: dot = fixed panel




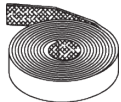


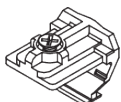
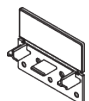
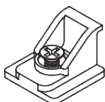
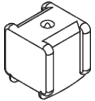

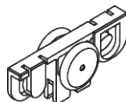



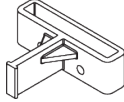
Pair stack

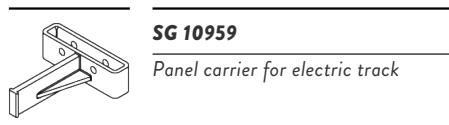
Note: dot = fixed panel

Other variations are possible.

PARTS


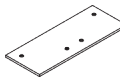

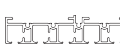
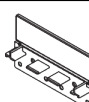
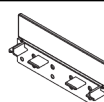
A. STANDARD PARTS

| | |
|---|---|
|  | SG 2004 Bottom bar 20x7 mm |
|  | SG 2539 Tape |
|  | SG 3003 Clamp |
|  | SG 10123 Profile 3-channel |
|  | SG 10140 Angle |
|  | SG 10143 Cover |
|  | SG 10146 Angle |
|  | SG 10156 End stop |
|  | SG 10159 Countersunk head screw 3.5x13 |
|  | SG 10200 2C roller |
|  | SG 10230 Carrier alu |
|  | SG 10252 End cover left |
|  | SG 10253 End cover right |
|  | SG 10958 Panel carrier for electric track |



SG 10959
Panel carrier for electric track

B. OPTIONAL PARTS

| | |
|--|--------------------------------------|
|  | SG 2005 Bottom bar 40x5 mm |
|  | SG 6024 Connection bridge |
|  | SG 10124 Profile 4-channel |
|  | SG 10125 Profile 5-channel |
|  | SG 10144 End cover |
|  | SG 10145 End cover |

