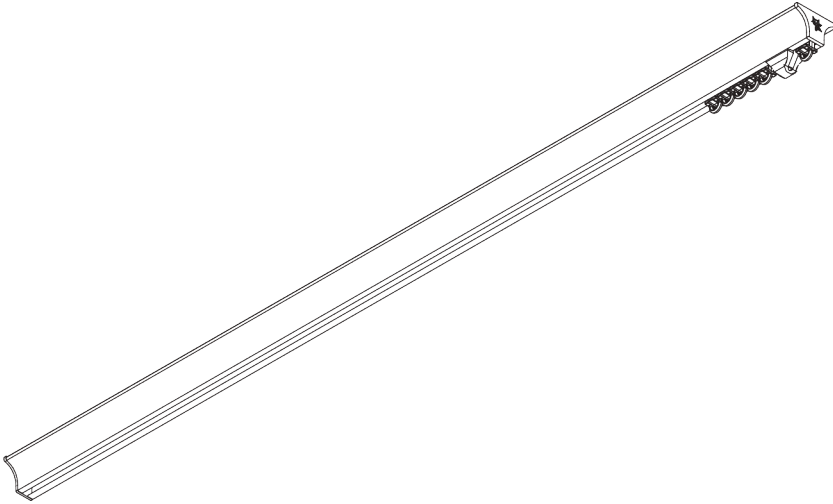


# SG 6820

---



## PRODUCT INFORMATION

- **Operation:** hand
- **Range:** S - M
- **Fitting:** ceiling
- **Colours:** white RAL 9016 or anodised aluminum, special colours possible
- **Fabrics:** refer to Silent Gliss fabric collection

### **Features:**

- 2-component (2C) glider technology
- Wave (2C)
- Funnel shaped design
- Bendable

# SYSTEM SPECIFICATIONS

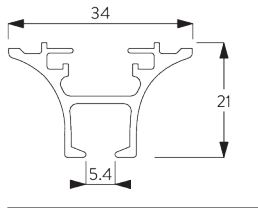
## A. SYSTEM DIMENSIONS



10 kg

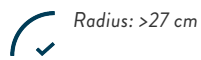
## B. PROFILE

Profile and bending information

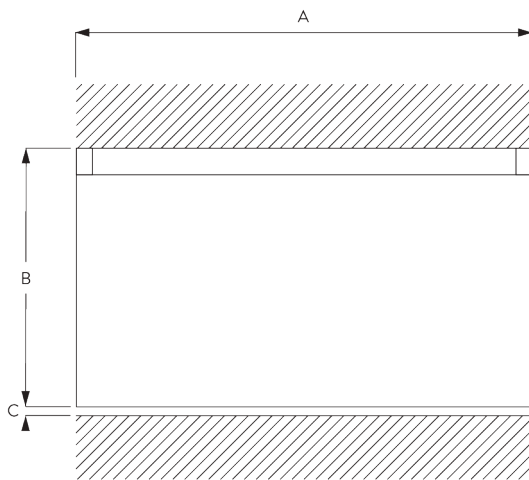


SG 6821

Profile Funnel



## C. HOW TO MEASURE



A: System width

B: System height

C: Distance between floor and fabric

## **D. SPECIFICATION**

### **TEXT**

#### **EN**

Silent Gliss SG 6820 Hand Drawn Curtain Track System. Comprises aluminium profile SG 6821 supplied made to measure in silver anodised or white powder coated, alternatively a specified RAL colour. SG 1130 at 14/m, 2 end covers SG 6823 and 2 SG 6065 stops. Top fixed with brackets SG 11236 max. 500 mm centres. Silent Gliss Wave option is available.

#### **SV**

Silent Gliss SG 6820 handdragssystem. Består av aluminiumprofil SG 6821 i specificerad längd i vitlack, alu natur eller angiven RAL färg. 14 st SG 11300 SILENT TRACK glid per meter, 2 st SG 6823 ändskydd samt 2 st SG 6065 vridstopp per system. Takmonteras med fäste SG 11236 c/c 500 mm. Kan användas med system Wave.

#### **NO**

Silent Gliss SG 6820 Manuell gardinskinne. Består av aluminiumprofil SG 6821 i spesifisert lengde, standard i hvitlakkert eller alu natur. Kan også leveres i spesifisert RAL farge. 14 stk SG 11300 SILENT TRACK glidere pr meter, 2 stk 6823 endelokk og 2 stk SG 6065 vristopp pr system. Takmonteres med feste SG 11236 c/c 500mm. Kan kombineres med Wave system.

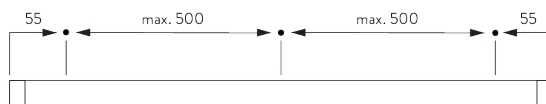
#### **DA**

Silent Gliss SG 6820 håndtrukket gardinskinnesystem. Består af en aluminiumprofil SG 6821 i ønsket længde, sølvanodiseret eller hvid pulverlakering, alternativt en specificeret RAL-farve. 14 stk. SG 1130 glidere pr. m og 2 stk. SG 6823 endelåg samt 2 stk. SG 6065 endestop. Loftmonteres med beslagene SG 11236 med højst 500 mm afstand. Kan bruges med Silent Gliss Wave.

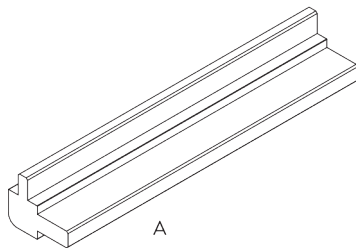
# FITTING

## **A. FITTING INFORMATION**

For detailed fitting information, visit the Silent Gliss website.



## **Fitting Tool**

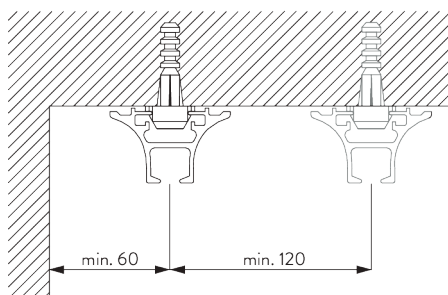


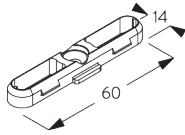
A: Funnel fitting tool SG 6827

For fitting / removing of the funnel profile.

## **B. CEILING FITTING**

### **Clip SG 11236**



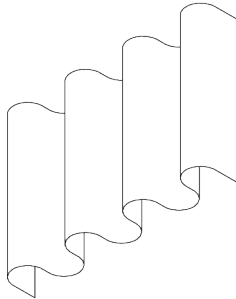


SG 11236

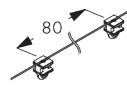
Clip

# SYSTEM OPTIONS

## A. WAVE



SG 11295



SG 11302

Standard components:

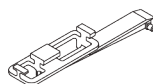
- SG 11295 End stop
- SG 11302 Wave 2C glider cord 80 mm



SG 2255



SG 2256



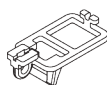
SG 6364



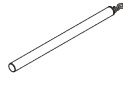
SG 6365

Optional components:

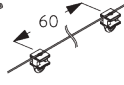
- SG 2255 Brake
- SG 2256 Brake
- SG 6364 Wave extension
- SG 6365 Wave hanger
- SG 6366 Wave carrier for draw rod
- SG 10430-34 Draw rod
- SG 11303 Wave 2C glider cord 60 mm



SG 6366



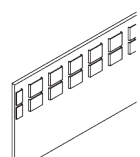
SG 10430-34



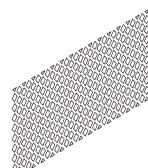
SG 11303



SG 3582



SG 6349



SG 6363

Curtain components:

- SG 3582 Hook
- SG 6349 Wave curtain tape
- SG 6363 Wave top hemming tape
- SG 10075 Lead weight 50 gr/m
- SG 10076 Fabric weight

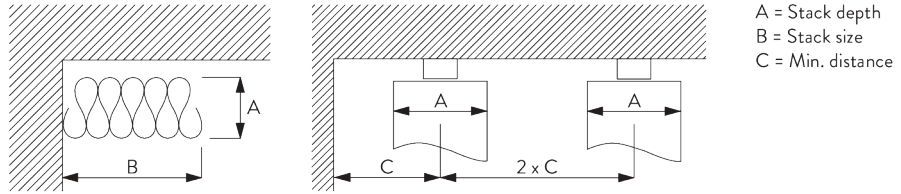


SG 10075



SG 10076

Wave stack depth - 2C glider cord (standard components)





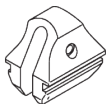


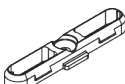
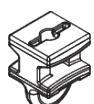
2C Glider cord SG 11302	Pockets between hooks	Approx. curtain fullness	Stack depth A	Stack size B*	Min distance C
80	6	~2.1	140	180 per metre of track	90
80	7	~2.3	160	180 per metre of track	100

2C Glider cord SG 11303	Pockets between hooks	Approx. curtain fullness	Stack depth A	Stack size B*	Min distance C
60	4	~2.1	100	230 per metre of track	70
60	5	~2.3	120	230 per metre of track	80

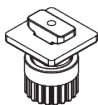
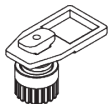


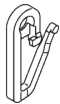









\*Stack size B when using optional extension arm increases  
by 150 mm per curtain stack!





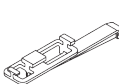
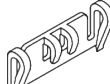
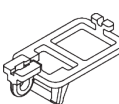

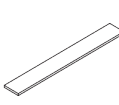
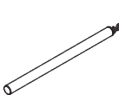
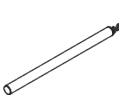
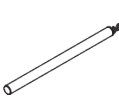
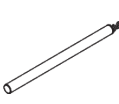
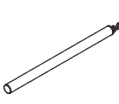
# PARTS

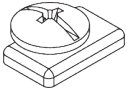
## A. STANDARD PARTS

	<b>SG 3599</b> Hook
	<b>SG 6065</b> End stop
	<b>SG 6086</b> Spring stop
	<b>SG 6821</b> Profile Funnel
	<b>SG 6823</b> End cover
	<b>SG 11236</b> Clip
	<b>SG 11300</b> 2C glider

## B. OPTIONAL PARTS

	<b>SG 2255</b> Brake
	<b>SG 2256</b> Brake
	<b>SG 3012</b> Hook
	<b>SG 3582</b> Hook
	<b>SG 3598</b> Eyelet
	<b>SG 3802</b> Connection bridge
	<b>SG 6004</b> Eyelet
	<b>SG 6005</b> Hook
	<b>SG 6053</b> Spring stop
	<b>SG 6057</b> Glider
	<b>SG 6082</b> Glider
	<b>SG 6094</b> Roller
	<b>SG 6098</b> Roller
	<b>SG 6146</b> Hook

	<b>SG 6240</b> Roller
	<b>SG 6283</b> Roller
	<b>SG 6349</b> Wave curtain tape
	<b>SG 6363</b> Wave top hemming tape
	<b>SG 6364</b> Wave extension
	<b>SG 6365</b> Wave hanger
	<b>SG 6366</b> Wave carrier for draw rod
	<b>SG 10075</b> Lead weight 50 g/m
	<b>SG 10076</b> Fabric weight
	<b>SG 10430</b> Draw rod 50 cm
	<b>SG 10431</b> Draw rod 75 cm
	<b>SG 10432</b> Draw rod 100 cm
	<b>SG 10433</b> Draw rod 125 cm
	<b>SG 10434</b> Draw rod 150 cm



---

**SG 11295**

*End stop*

---



---

**SG 11301**

*2C glider on strip*

---



---

**SG 11302**

*Wave 2C glider cord 80 mm*

---

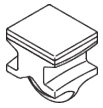


---

**SG 11303**

*Wave 2C glider cord 60 mm*

---



---

**SG 11305**

*2C glider for direct sewing*

---

