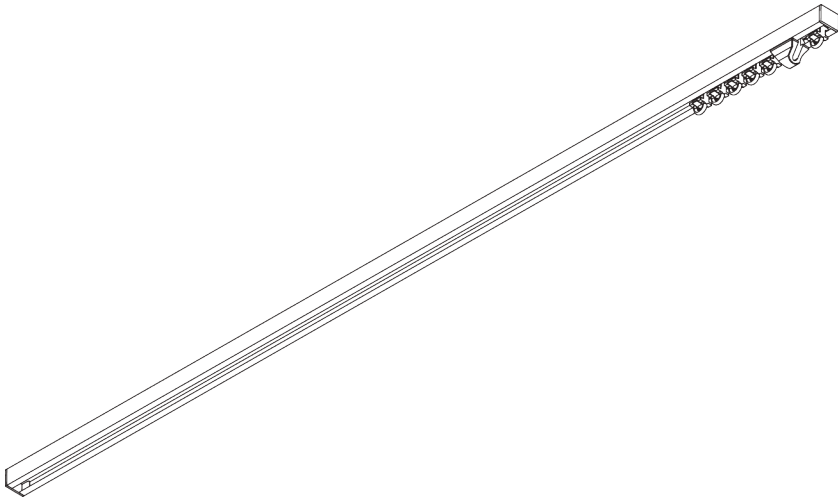


SG 6465



PRODUCT INFORMATION

- **Operation:** hand
- **Range:** S - M
- **Fitting:** ceiling, recess
- **Colours:** white RAL 9016, black RAL 9005 or anodised aluminum, special colours possible (recess profile only in white RAL 9016, black RAL 9005 or special color)
- **Fabrics:** refer to Silent Gliss fabric collection

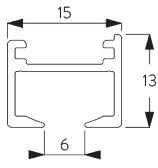
Features:

- 2-component (2C) glider technology
- Wave (2C)
- Bendable
- Bendable recess profile

SYSTEM SPECIFICATIONS

A. PROFILE

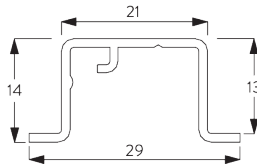
Profile and bending information



SG 6466

Profile

Radius:
✓ 8 cm, 12 cm, 16 cm,
>25 cm

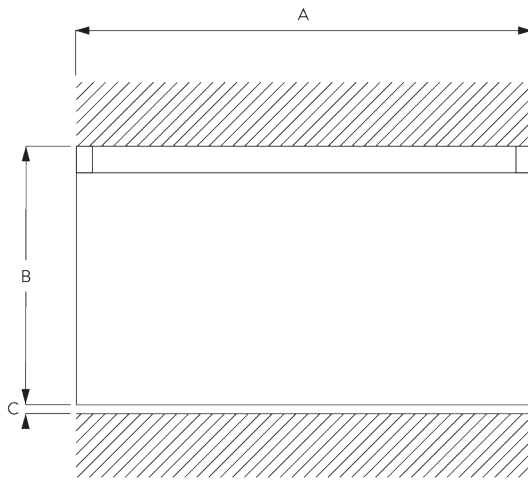


SG 11231

Recess profile

Radius:
✓ >27 cm

B. HOW TO MEASURE



A: System width

B: System height

C: Distance between floor and fabric

C. SPECIFICATION

TEXT

EN

Silent Gliss SG 6465 Hand Drawn Curtain Track System. Comprises aluminium profile SG 6466 supplied made to measure in silver anodised or white powder coated, alternatively a specified RAL colour. SG 11130 at 14/m, 2 end covers SG 6471 and 2 SG 6065 stops. Top fixed with brackets. Recess profile SG 11231 is optional. SG 3060 at max. 300 mm centres. Silent Gliss Wave option is available.

SV

Silent Gliss SG 6465 handdragssystem. Består av aluminiumprofil SG 6466 i specificerad längd i vitlack, alu natur eller angiven RAL färg.

14 st SG 11300 SILENT TRACK glid per meter, 2 st SG 6471 ändskydd samt 2 st SG 6065 vridstopp per system. Kan användas med system Wave. Kan också levereras med profil för infällning SG 11231. Takmonteras med fäste SG 3060 c/c 300 mm.

NO

Silent Gliss SG 6465 Manuell gardinskinne. Består av aluminiumprofil SG 6466 i spesifisert lengde, standard i hvitlakkert eller alu natur. Kan også leveres i spesifisert RAL farge. 14 stk SG 11300 SILENT TRACK glidere pr meter, 2 stk SG 6471 endeløkk og 2 stk 6065 fjær pr system. Takmonteres med feste SG 3060 c/c 300 mm. Kan leveres med profil for innfelling SG 11231.

DA

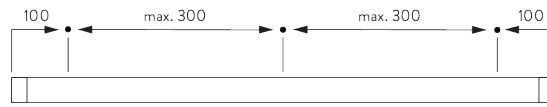
Silent Gliss SG 6465 håndtrukket gardinskinnesystem. Består af en aluminiumprofil SG 6466 i ønsket længde, sølvanodiseret eller hvid pulverlakering, alternativt en specificeret RAL-farve. 14 stk. SG 11130 glidere pr. m og 2 stk. SG 6471 endelåg samt 2 stk. SG 6065 endestop. Loftmonteres med beslag. Kan leveres med indfældningsprofil SG 11231. SG 3060 med højst 300 mm afstand. Kan bruges med Silent Gliss Wave.

FITTING

A. FITTING INFORMATION

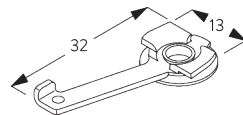
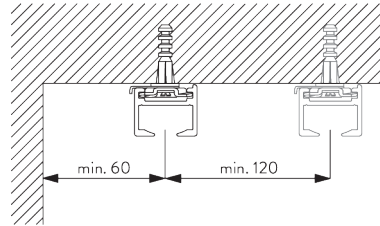
For detailed fitting information, visit the [Silent Gliss website](#).

Fixing points



B. CEILING FITTING

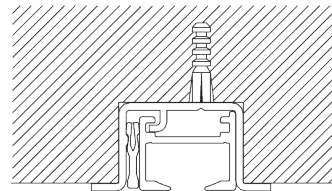
Clamp SG 3060



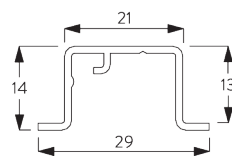
SG 3060
Clamp

C. RECESS FITTING

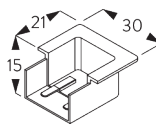
Recess profile SG 11231



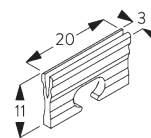
One wedge SG 11237 per fixing point.
For detailed recess fitting, visit the [Silent Gliss website](#).



SG 11231
Recess profile



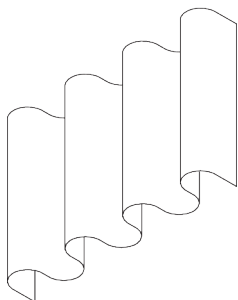
SG 11239
Recess Mask



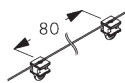
SG 11237
Wedge

SYSTEM OPTIONS

A. WAVE



SG 11295



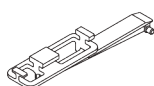
SG 11302



SG 2255



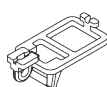
SG 2256



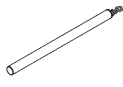
SG 6364



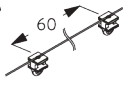
SG 6365



SG 6366



SG 10430-34



SG 11303

Standard components:

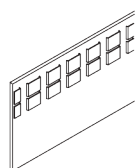
- SG 11295 End stop
- SG 11302 Wave 2C glider cord 80 mm

Optional components (min. radius >25 cm):

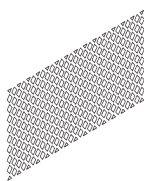
- SG 2255 Brake
- SG 2256 Brake
- SG 6364 Wave extension
- SG 6365 Wave hanger
- SG 6366 Wave carrier for draw rod
- SG 10430-34 Draw rod
- SG 11303 Wave 2C glider cord 60 mm



SG 3582



SG 6349



SG 6363



SG 10075

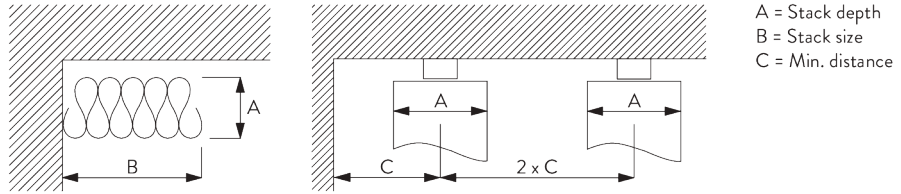


SG 10076

Curtain components:

- SG 3582 Hook
- SG 6349 Wave curtain tape
- SG 6363 Wave top hemming tape
- SG 10075 Lead weight 50 gr/m
- SG 10076 Fabric weight

Wave stack depth - 2C glider cord (standard components)



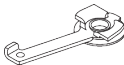


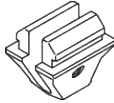
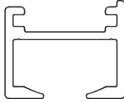
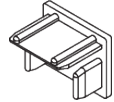

2C Glider cord SG 11302	Pockets between hooks	Approx. curtain fullness	Stack depth A	Stack size B*	Min distance C
80	6	~2.1	140	180 per metre of track	90
80	7	~2.3	160	180 per metre of track	100

2C Glider cord SG 11303	Pockets between hooks	Approx. curtain fullness	Stack depth A	Stack size B*	Min distance C
60	4	~2.1	100	230 per metre of track	70
60	5	~2.3	120	230 per metre of track	80

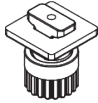
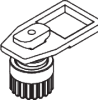



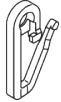


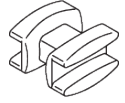


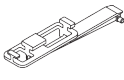
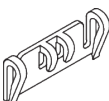
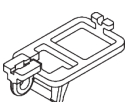
*Stack size B when using optional extension arm increases
by 150 mm per curtain stack!


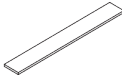
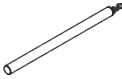
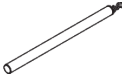
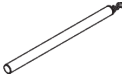


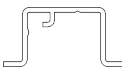
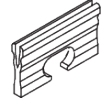
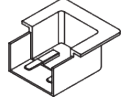
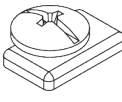

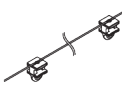
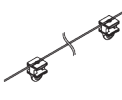
PARTS

A. STANDARD PARTS

	SG 3060 Clamp
	SG 3599 Hook
	SG 6065 End stop
	SG 6245 Spring stop
	SG 6466 Profile
	SG 6471 End cover
	SG 11300 2C glider

B. OPTIONAL PARTS

	SG 2255 Brake
	SG 2256 Brake
	SG 3012 Hook
	SG 3062 Connection bridge
	SG 3582 Hook
	SG 3598 Eyelet
	SG 6057 Glider
	SG 6064 End stop
	SG 6082 Glider
	SG 6349 Wave curtain tape
	SG 6363 Wave top hemming tape
	SG 6364 Wave extension
	SG 6365 Wave hanger
	SG 6366 Wave carrier for draw rod

	SG 10075 Lead weight 50 g/m
	SG 10076 Fabric weight
	SG 10430 Draw rod 50 cm
	SG 10431 Draw rod 75 cm
	SG 10432 Draw rod 100 cm
	SG 10433 Draw rod 125 cm
	SG 10434 Draw rod 150 cm
	SG 11231 Recess profile
	SG 11237 Wedge
	SG 11239 Recess Mask
	SG 11295 End stop
	SG 11301 2C glider on strip
	SG 11302 Wave 2C glider cord 80 mm
	SG 11303 Wave 2C glider cord 60 mm



SG 11305

2C glider for direct sewing
