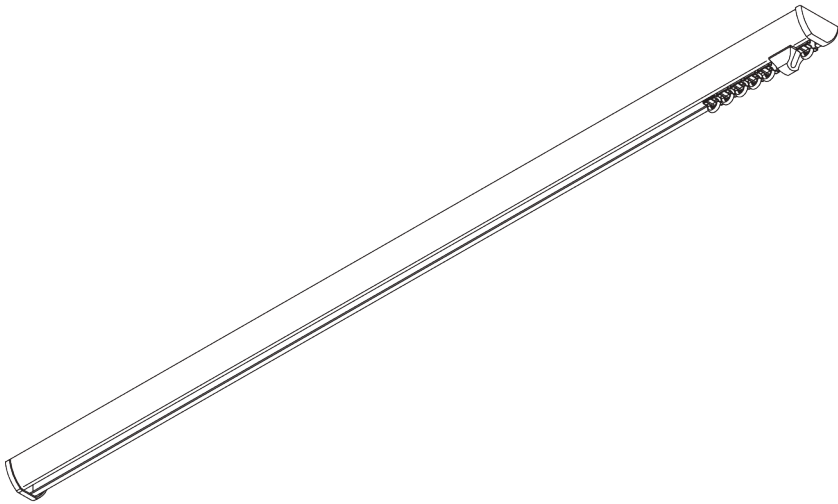
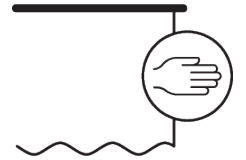


SG 6170



PRODUCT INFORMATION

- **Operation:** hand
- **Range:** M - L
- **Fitting:** ceiling
- **Colours:** white RAL 9016 or anodised aluminum, special colours possible
- **Fabrics:** refer to Silent Gliss fabric collection

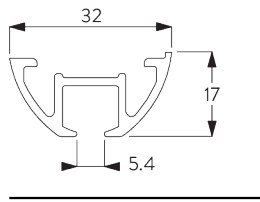
Features:

- 2-component (2C) glider technology
- Wave (2C)
- Bendable

SYSTEM SPECIFICATIONS

A. PROFILE

Profile and bending information

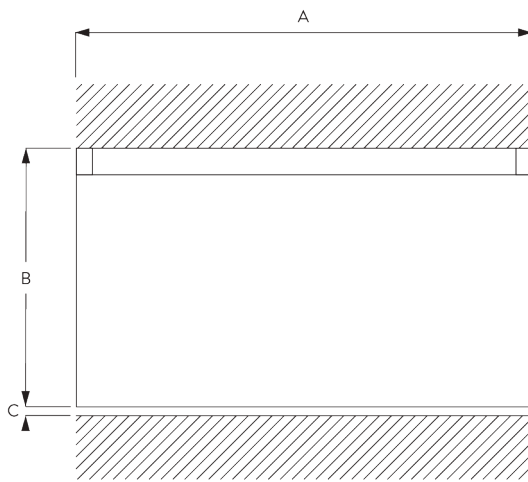


SG 6170p

Profile

Radius:
✓ >25 cm

B. HOW TO MEASURE



A: System width

B: System height

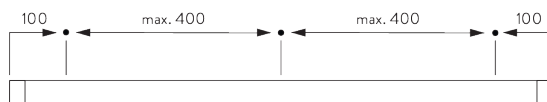
C: Distance between floor and fabric

FITTING

A. FITTING INFORMATION

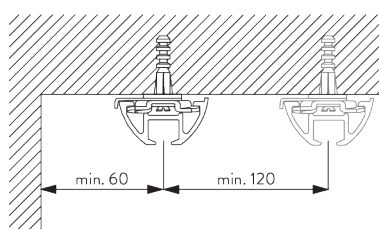
Fixing points

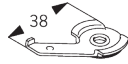
For detailed fitting information, visit the [Silent Gliss website](#).



B. CEILING FITTING

Clamp SG 3004

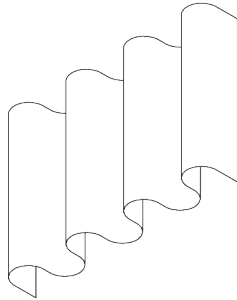




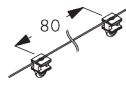
SG 3004
Clamp

SYSTEM OPTIONS

A. WAVE



SG 11295



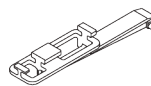
SG 11302



SG 2255



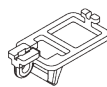
SG 2256



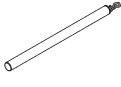
SG 6364



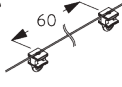
SG 6365



SG 6366



SG 10430-34



SG 11303

Standard components:

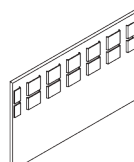
- SG 11295 End stop
- SG 11302 Wave 2C glider cord 80 mm

Optional components (min. radius >30 cm):

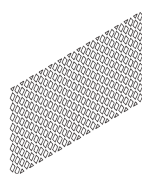
- SG 2255 Brake
- SG 2256 Brake
- SG 6364 Wave extension
- SG 6365 Wave hanger
- SG 6366 Wave carrier for draw rod
- SG 10430-34 Draw rod
- SG 11303 Wave 2C glider cord 60 mm



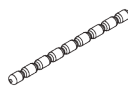
SG 3582



SG 6349



SG 6363



SG 10075

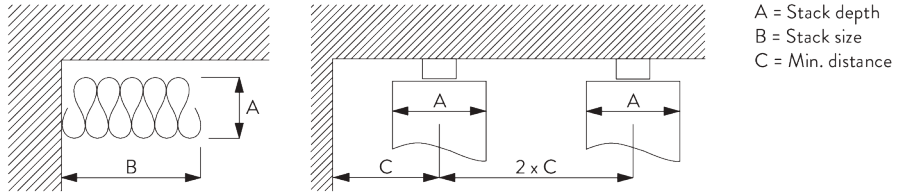


SG 10076

Curtain components:

- SG 3582 Hook
- SG 6349 Wave curtain tape
- SG 6363 Wave iron tape
- SG 10075 Lead weight 50 gr/m
- SG 10076 Fabric weight

Wave stack depth - 2C glider cord (standard components)






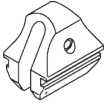



2C Glider cord SG 11302	Pockets between hooks	Approx. curtain fullness	Stack depth A	Stack size B*	Min distance C
80	6	~2.1	140	180 per metre of track	90
80	7	~2.3	160	180 per metre of track	100

2C Glider cord SG 11303	Pockets between hooks	Approx. curtain fullness	Stack depth A	Stack size B*	Min distance C
60	4	~2.1	100	230 per metre of track	70
60	5	~2.3	120	230 per metre of track	80

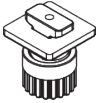
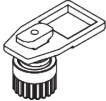




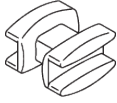


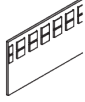

*Stack size B when using optional extension arm SG 6364 increases by 150 mm per curtain stack!

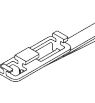
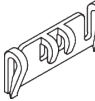
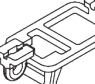

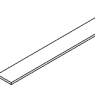
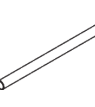
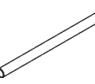






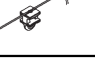
PARTS

A. STANDARD PARTS

	SG 3004 Clamp
	SG 3599 Hook
	SG 6065 End stop
	SG 6086 Spring stop
	SG 6170p Profile
	SG 6172 End cover
	SG 11300 2C glider

B. OPTIONAL PARTS

	SG 2255 Brake
	SG 2256 Brake
	SG 3008 Connection bridge
	SG 3012 Hook
	SG 3582 Hook
	SG 6004 Eyelet
	SG 6005 Hook
	SG 6053 Spring stop
	SG 6082 Glider
	SG 6094 Roller
	SG 6098 Roller
	SG 6283 Roller
	SG 6349 Wave curtain tape
	SG 6363 Wave top hemming tape

	SG 6364 Wave extension
	SG 6365 Wave hanger
	SG 6366 Wave carrier for draw rod
	SG 10075 Lead weight 50 g/m
	SG 10076 Fabric weight
	SG 10430 Draw rod 50 cm
	SG 10431 Draw rod 75 cm
	SG 10432 Draw rod 100 cm
	SG 10433 Draw rod 125 cm
	SG 10434 Draw rod 150 cm
	SG 11295 End stop
	SG 11301 2C glider on strip
	SG 11302 Wave 2C glider cord 80 mm
	SG 11303 Wave 2C glider cord 60 mm

