

SG 6011



PRODUCT INFORMATION

- **Operation:** hand
- **Range:** S-M
- **Fitting:** recess (center SG 7550)
- **Colours:** white RAL 9016 or anodised aluminum, special colours possible
- **Fabrics:** refer to Silent Gliss fabric collection

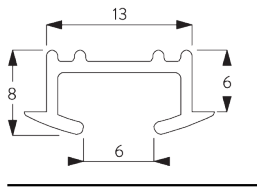
Features:

- 2-component (2C) glider technology
- Pre-drilled profile
- Bendable

SYSTEM SPECIFICATIONS

A. PROFILE

Profile and bending information

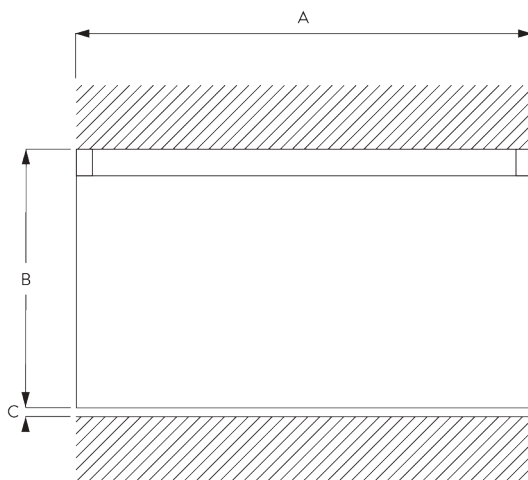


SG 6011p

Profile

Radius:
10 cm, 20 cm

B. HOW TO MEASURE



A: System width

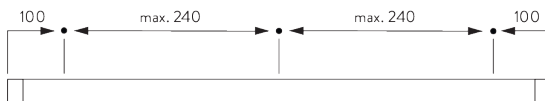
B: System height

C: Distance between floor and fabric

FITTING

A. FITTING INFORMATION

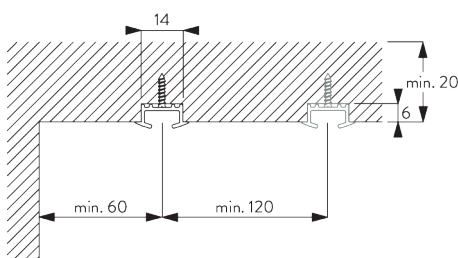
Fixing points



For detailed fitting information, visit the [Silent Gliss website](#).

B. RECESS FITTING

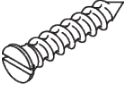

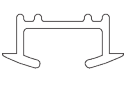
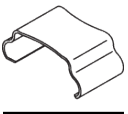

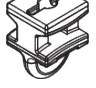
Direct into wood



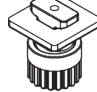
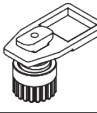

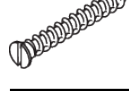
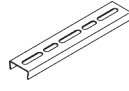


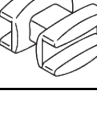

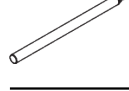
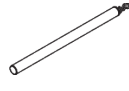
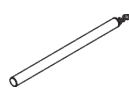

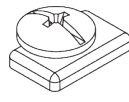
Recess channel: 6 x 14 mm



PARTS

A. STANDARD PARTS

	SG 3019 Special screw 12 mm
	SG 3599 Hook
	SG 6011p Profile
	SG 6015 Spring
	SG 6065 End stop
	SG 11300 2C glider

B. OPTIONAL PARTS

	SG 2255 Brake
	SG 2256 Brake
	SG 3012 Hook
	SG 3025 Special screw 18 mm
	SG 3067 Connection bridge
	SG 3582 Hook
	SG 6057 Glider
	SG 6082 Glider
	SG 10430 Draw rod 50 cm
	SG 10431 Draw rod 75 cm
	SG 10432 Draw rod 100 cm
	SG 10433 Draw rod 125 cm
	SG 10434 Draw rod 150 cm
	SG 11295 End stop

	SG 11301 2C glider on strip
	SG 11305 2C glider for direct sewing

