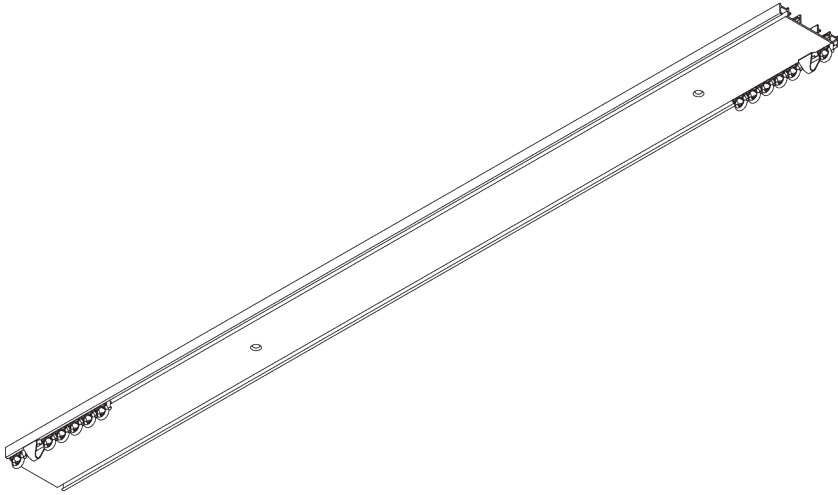


SG 1032



PRODUCT INFORMATION

- **Operation:** hand
- **Range:** S
- **Fitting:** ceiling
- **Colours:** white RAL 9016 or anodised aluminum, special colours possible
- **Fabrics:** refer to Silent Gliss fabric collection

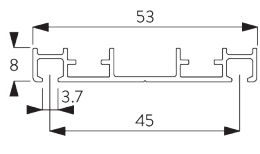
Features:

- Pre-drilled two channel profile

SYSTEM SPECIFICATIONS

A. PROFILE

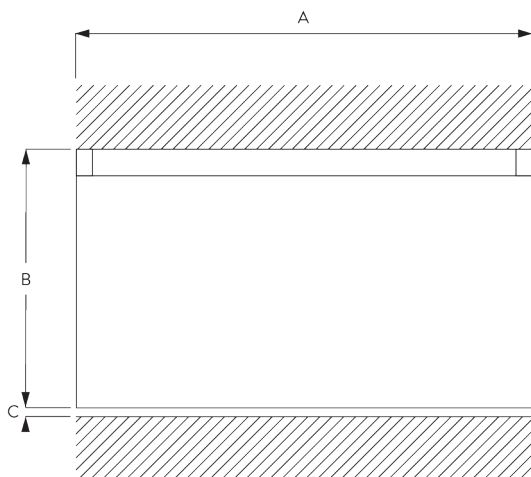
Profile information



SG 1032p

Profile

B. HOW TO MEASURE



A: System width

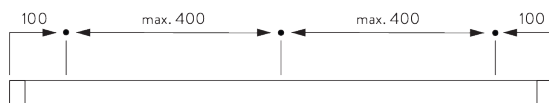
B: System height

C: Distance between floor and fabric

FITTING

A. FITTING INFORMATION

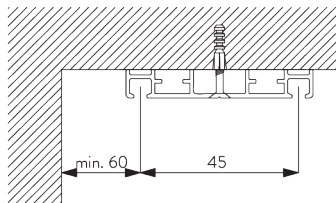
Fixing points



For detailed fitting information, visit the [Silent Gliss website](#).



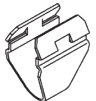


B. CEILING FITTING

Direct fitting




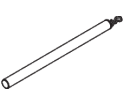
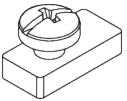
PARTS

A. STANDARD PARTS

	SG 1032p Profile
	SG 3070 End stop
	SG 3085 Spring stop
	SG 3533 Glider
	SG 3599 Hook

B. OPTIONAL PARTS

	SG 3177 Corner connector
	SG 3511 Glider
	SG 3534 Glider 3533 on strip
	SG 3535 Glider
	SG 3537 Glider
	SG 3548 Glider
	SG 3549 Click glider with hook
	SG 3570 Glider
	SG 3582 Hook
	SG 3598 Eyelet
	SG 6173 Connection bridge
	SG 10430 Draw rod 50 cm
	SG 10431 Draw rod 75 cm
	SG 10432 Draw rod 100 cm

	SG 10433 Draw rod 125 cm
	SG 10434 Draw rod 150 cm
	SG 11335 End stop

